



TruSens™ Z-3000

EN	3
DE	20
FR	37
NL	54
IT	71
ES	88
PT	105
DA	122
FI	139
NO	156
SV	173
ET	190
LV	207
LT	224
CS	241
SK	258
HU	275
PL	292
RO	309
RU	326
GR	343
TR	360

TruSens™

Welcome to clean air with TruSens. Thank you for allowing us to join you on your journey towards wellness.

The air you breathe should be clean, no matter where you are in the room. TruSens SensorPod™, PureDirect™ Technology & 360 degree filtration ensure the whole room benefits from cleaner air.

SAFETY INFORMATION

PLEASE READ AND SAVE THESE INSTRUCTIONS

Unplug or disconnect the appliance from the power supply before replacing filters or UV-C emitter, or when appliance is not in use.



WARNING: To reduce the risk of fire or electric shock, do not use this fan with any solid-state speed control device.

Do not operate any purifier with a damaged cord or plug, or if the wall socket is loose. If the supply cord is damaged, it must be replaced by the manufacturer, its service agent or similarly qualified persons in order to avoid a hazard.

Do not run cord under carpeting, throw rugs, runners, or similar coverings. Do not run cord under furniture or appliances. Arrange cord away from traffic area and where it will not be tripped over.



WARNING: Skin or eye damage may result from directly viewing the light produced by the UV-C emitter in this apparatus. Unintended use of the appliance or damage to the housing may result in the escape of dangerous UV-C radiation. UV-C radiation may, even in little doses, cause harm to the eyes and skin. Always disconnect power before relamping or servicing. Replace UV-C emitter with 2415108 (for Z-2000), or 2415111 (for Z-3000), Manufactured by ACCO Brands.

- Remove all packaging, including the filter bag, before use.
- Appliances that are obviously damaged must not be operated.
- This appliance must only be connected to a wall socket outlet matching the supply plug type and rating stated on the rating plate.
- Locate air purifier near the outlet wall socket and do not use extension cords.
- This appliance can be used by children aged from 8 years and above and persons with reduced physical, sensory or mental capabilities or lack of experience and knowledge if they have been given supervision or instruction concerning use of the appliance in a safe way and understand the hazards involved.
- Children shall not play with, clean, or try to maintain the appliance.
- Replace the UV-C emitter with the model specified within this manual.
- Do not attempt to service or repair this product yourself.
- Only use the purifier and SensorPod™ with the power cable provided.
- Only clean this machine with a damp cloth, do not use solvents or bleach.
- Ensure appliance is always placed on firm level surface before operation.
- Do not block or obstruct the air intake or outlet vents.
- Do not insert fingers or other items into the air intake or outlet vents.
- When the air purifier is in standby mode the SensorPod™ is still transmitting a signal/data.

Operating Frequency

Wireless: 2462 MHz

Maximum Transmit Power (EIRP)

Wireless: 0 dBm

Antenna Gain

Wireless: 2 Dbi

Hereby, ACCO UK Ltd declares that the radio equipment types, Leitz TruSens Air Purifier Z-2000/Z-3000 are in compliance with Directive 2014/53/EU.

The full text of the EU declaration of conformity is available at the following internet address:
<https://declarations.accobrands.com/>

A minimum separation distance of 0.2m must be maintained between the user's body and the device, to comply with RF exposure requirements.

Waste Electrical and Electronic Equipment (WEEE)

At the end of its useful life, your product is considered to be WEEE. As such, it is important to note that: WEEE is not to be disposed of as unsorted municipal waste. It is to be collected separately such that it can be disassembled so its components and materials can be recycled, re-used, and recovered (burned for energy content in the production of electricity).

Public collection points have been set up by municipalities for the collection of WEEE, free of charge to you. Please return your WEEE to the collection facility nearest your home or office.

If you have difficulty locating a collection facility, the retailer that sold you the product should accept your WEEE. If you are no longer in contact with your retailer, please contact ACCO for assistance with this matter. Recycling of WEEE is geared toward protecting the environment, protecting human health, preserving raw materials, improving sustainable development, and ensuring a better supply of commodities in the European Union. This will be achieved by retrieving valuable secondary raw materials and reducing the disposal of waste. You can contribute to the success of these goals by returning your WEEE to a collection facility.

Your product is marked with the WEEE symbol (wheelie bin with an X through it). This symbol is to inform you that the WEEE is not to be disposed of as unsorted municipal waste

Leitz TruSens air purifiers also come equipped with a UV-C emitter. Upon replacement of this item (during the lifetime of the product), these must also be returned and disposed of at your local WEEE collection facility.

Further information and installation guides / videos for the UV-C emitter can be found at www.leitz.com

FEATURE HIGHLIGHTS



SensorPod™

Remote air quality monitor that ensures cleaner air, right where you need it.



PureDirect™ Technology

Independent lab testing confirms that two airflow streams are better than one, moving air effectively and more comfortably throughout the room.



Informs and Adapts

Colour-coded illuminated ring provides additional information by communicating air quality in real-time.



360° Purification

HEPA filter captures pollutants and VOC gases/odours from all directions. UV-C light kills germs and bacteria that can get trapped in the filter.

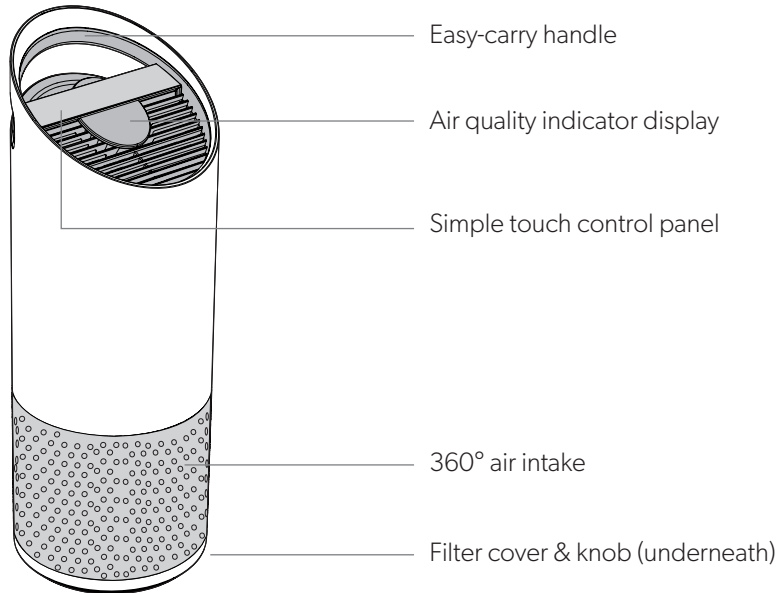


Thoughtful Execution

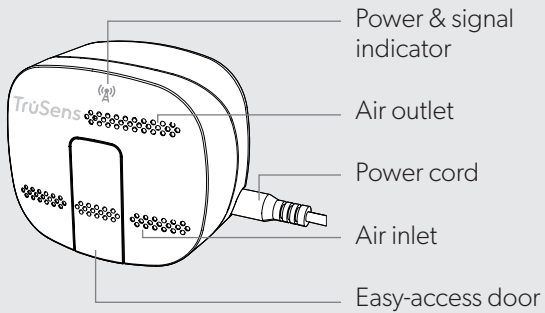
Exceptional functionality wrapped in a contemporary design that fits any environment.

PRODUCT OVERVIEW

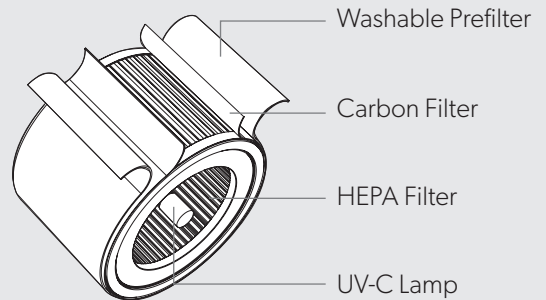
Air Purifier



SensorPod™



Filter & UV-C Lamp

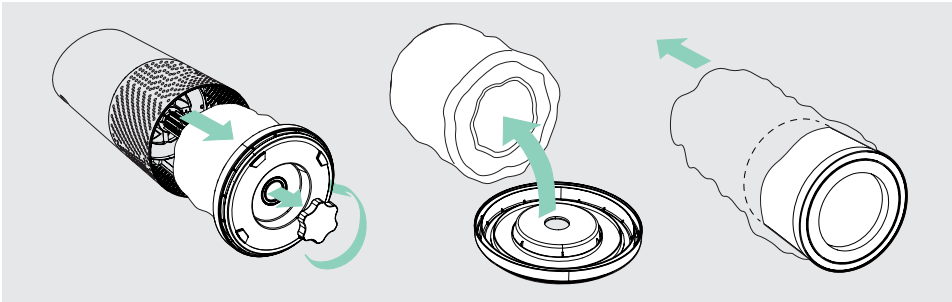


GETTING STARTED



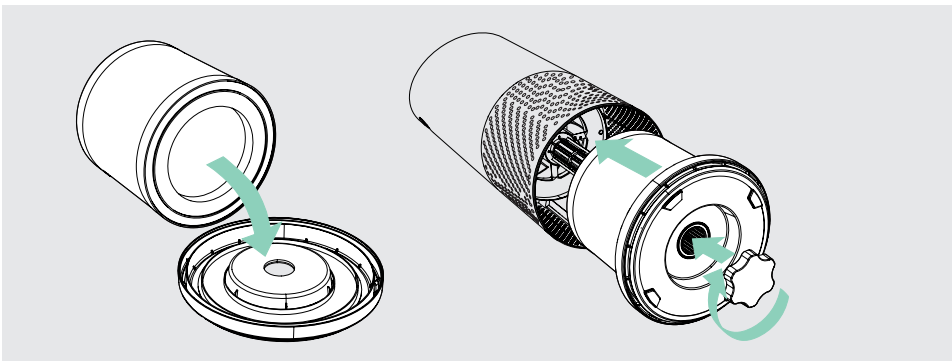
1. Remove plastic bag from filter

Unscrew the bottom cover and remove the plastic bag from the filter.



2. Re-attach filter

Secure filter on the bottom cover and replace inside the purifier.



3. Set up

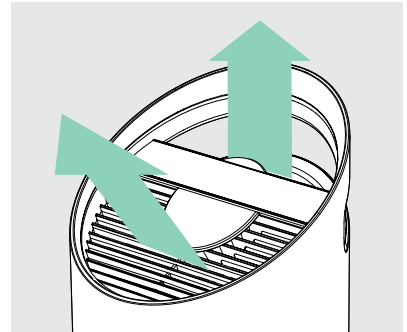
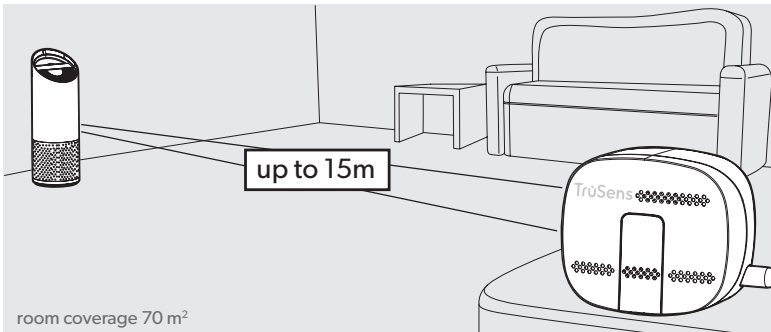
Plug-in your SensorPod™, and place upright on tabletop or counter across the room, within line of sight of the purifier.

Plug-in your air purifier unit and power on. Place the purifier on a flat surface, free from obstructions.

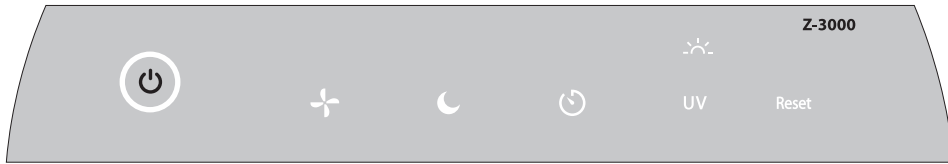
Signal strength may vary by location. In the rare occasion that it doesn't work – see page 18.

4. Start living with cleaner air!

The purifier will automatically adjust fan speeds based on the air quality readings from SensorPod, and proprietary PureDirect™ technology will deliver purified air throughout the room!



CONTROL PANEL



Power Button



Fan Speed Settings

Select fan speed or AUTO mode. In AUTO mode, purifier automatically adjusts fan speed based on air quality readings from SensorPod™.

(AUTO mode only available when purifier is paired with SensorPod and receiving signal)



Dimmer Mode

Display illumination turns off – for use while sleeping – without sacrificing the effectiveness of the purifier. Simply press the button again to bring back all display features.



Timer Mode

Purifier will automatically turn off after 2, 4, 8, or 12 hours. To cancel this countdown, simply press button until no timer setting is displayed.

UV

UV Mode

UV-C lamp within the purifier's filter chamber is on when the ☀️ symbol is white. The ☀️ symbol will glow red when it is time to replace the UV-C lamp.

(See page 15 for replacement instructions)

Reset

Filter and UV Indicator Reset

HEPA, Carbon and UV indicators glow red when it is time for each to be replaced.

When 1 indicator is on, simply hold Reset button for 3 seconds to reset that indicator.

When 2+ indicators are on, tap the Reset button to select the correct indicator (selected indicator will blink) before holding 3 seconds to reset that indicator.

(See pages 13-15 for replacement instructions. Follow above Reset button instructions after replacing filter.)

AIR QUALITY DISPLAY

Real-time Feedback

The revolutionary SensorPod™ evaluates the condition of your air by measuring both small (PM2.5) and larger (PM10) particulate matter. It calculates the overall air quality using a proprietary algorithm that is reactive to genuine increases in pollutants without overreacting to someone entering the room or settling into the couch.

The illuminated, colour-coded display communicates good, moderate or poor air quality and a numeric value provides a greater level of detail.

In AUTO mode, the purifier automatically adjusts the fan speed in response to these air quality readings.

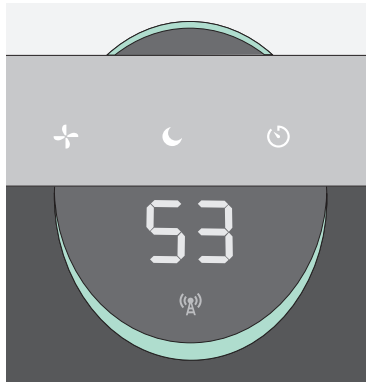
GOOD

BLUE | 0 - 50



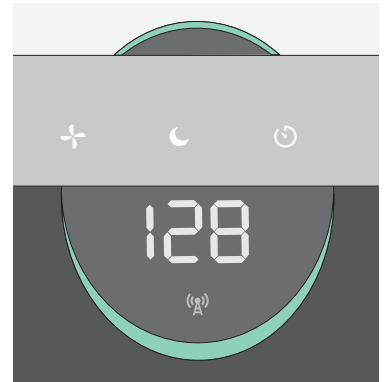
MODERATE

YELLOW | 50 - 100



POOR

RED | 100 - 500



SPECIFICATIONS

Air Inlet	360°
Air changed 2 times per hr	70 m ²
Air Delivery Type	PureDirect™
Sensor	SensorPod™, works up to 15 m from purifier
Fan Speed Settings	Whisper, 1, 2, 3, Turbo
Purification Levels	Washable Prefilter, Carbon, HEPA, UV-C Lamp
Timer Settings	2, 4, 8, 12 hr
Filter Change Indicators	Carbon, HEPA, UV
Noise	32 - 66 dB
Dimensions	263 x 263 x 726 mm
Weight	5.7 kg
Motor Type	DC motor
Power Requirements	220-240v 50/60H 0.5A
Power Consumption	68 W
Warranty	2 years

Replacement Filters & UV-C Lamp

3-in-1 HEPA drum filter	2415110
Carbon filter (3-pack)	2415109
UV-C Lamp	2415111

CARE & MAINTENANCE

Accessing the filter chamber

1. Always power off the purifier by pressing the Power Button and unplugging the power cord.
2. Gently place the unit on its side on the floor so that the filter chamber cover and knob are exposed.
3. Turn the knob counter-clockwise and remove the filter cover and 360° HEPA filter drum (Fig. A).

REPLACING HEPA FILTER

1. The HEPA indicator will glow red when it is time to change the entire HEPA drum filter.
2. Gently pull the HEPA drum filter away from its place secured to the filter cover (Fig. B).
3. Secure the replacement HEPA filter onto the filter cover (Fig. C).
4. Gently replace the filter cover with filter drum into the filter chamber and onto the threading, and turn the knob clockwise until the knob and filter chamber cover are securely tightened (Fig. D).
5. Plug-in and power on your purifier, and hold the Reset button until the red HEPA indicator turns off.

Note: HEPA drum filter (on page 12) will include 3 layers: Washable Prefilter, Carbon and HEPA

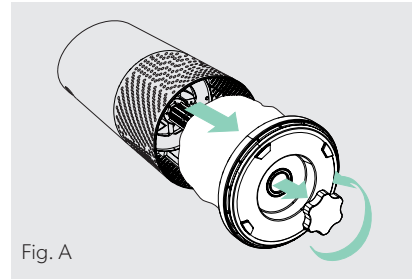


Fig. A

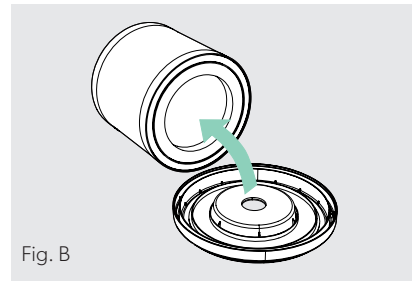


Fig. B

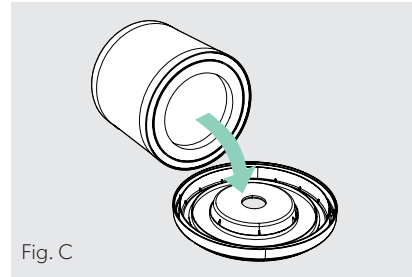


Fig. C

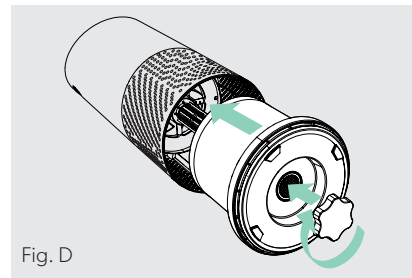


Fig. D

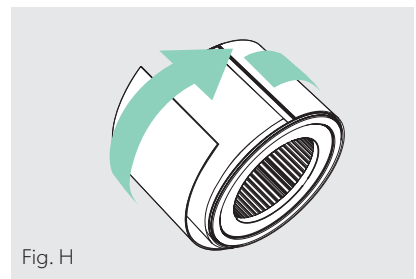
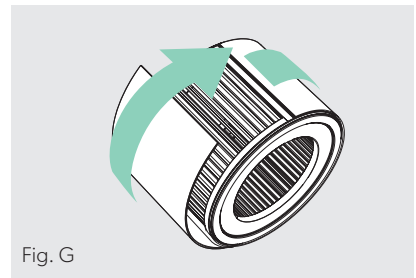
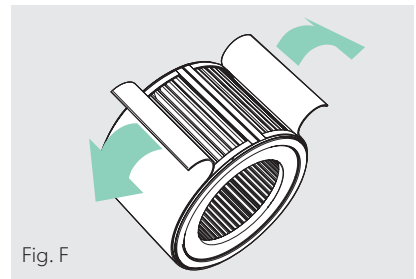
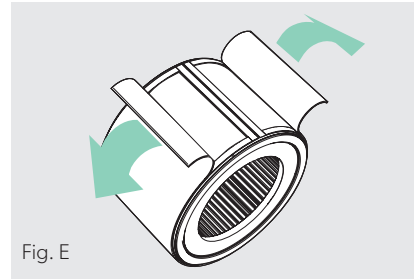
REPLACING CARBON FILTER

1. The Carbon indicator will glow red when it is time to replace the Carbon layer.
2. Gently peel away the Prefilter from the fastener strips (Fig. E).
3. Gently peel away the used Carbon layer from the fastener strips (Fig. F).
4. Wrap a new Carbon layer around the filter drum and attach to the same fastener strips (Fig. G).
5. Replace the Prefilter by wrapping it around the Carbon layer and attach to the fastener strips (Fig. H).
6. Once the purifier is powered-on, hold the Reset button until the red Carbon indicator turns off.



Note: Carbon filter 3-pack (on page 12) will cover 3 Carbon changes between replacing the entire HEPA drum filter assembly (on page 13).

WASHING THE PREFILTER

1. We recommend that you visually inspect the Prefilter every month, and clean as needed. At minimum, you should hand wash the Prefilter every time you change the Carbon filter.
2. Gently peel away the Washable Prefilter from the fastener strips (Fig. E).
3. Gently rinse with running water – allow Prefilter to air dry before re-installing.
4. Replace the Prefilter by wrapping it around the filter drum and attach to the fastener strips (Fig. H).



REPLACING UV-C LAMP

1. The  indicator will glow red when it is time to replace the UV-C lamp.
2. Remove HEPA filter drum (Fig. A), and use a screwdriver to remove the 4 screws securing the UV housing (Fig. I).
3. Gently remove the UV housing (Fig. J).
4. Disconnect the UV-C lamp from the socket within the purifier (Fig. K).
5. Your replacement UV-C lamp (on page 12) will plug directly into the same socket (Fig. L).
6. Replace the UV housing and use a screwdriver to tighten the fastening screws.
7. Once the purifier is powered-on, hold the Reset button until the  indicator turns white.

Note: Upon replacement of the UV-C emitter please dispose of at your local WEEE collection facility.

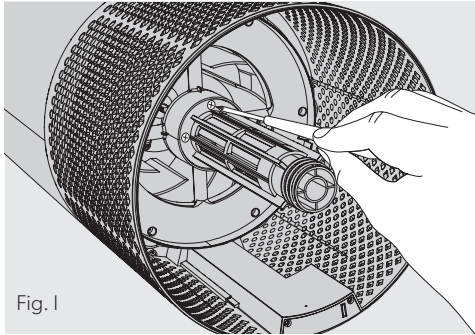


Fig. I

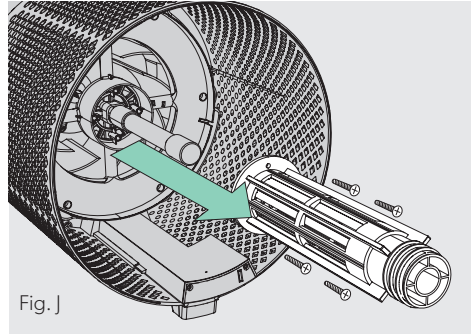


Fig. J

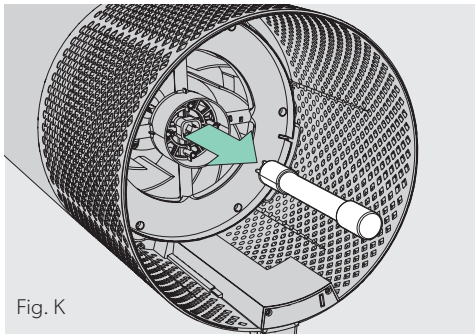


Fig. K

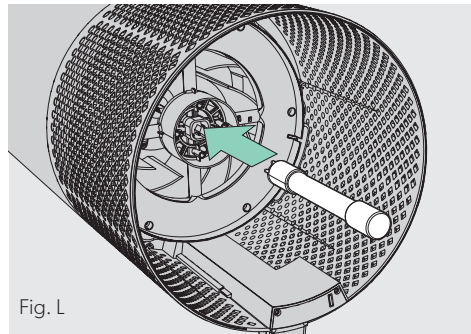


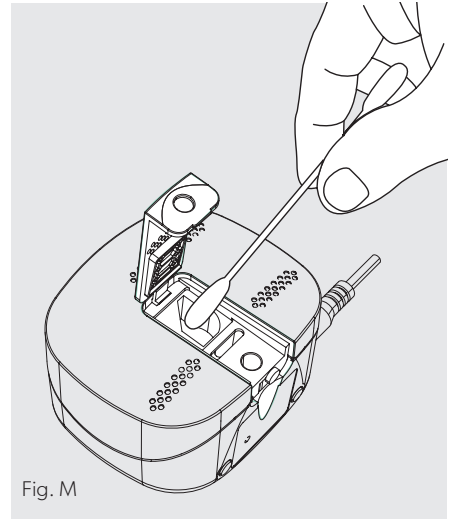
Fig. L

CLEANING THE SENSORPOD™

Cleaning the air quality sensor

The SensorPod™ uses an infrared light to detect particulate matter, so it is important that you clean the viewing chamber every 1-2 months to remove any dust or particles that may affect the accuracy of the sensor's readings.

1. Turn-off the SensorPod by unplugging the power cord.
2. Open the easy-access door on the front side by pulling the door up at a 90° angle.
3. Use a damp cotton swab to wipe the lens and intake area of the dust sensor (Fig. M).
4. Use a dry cotton swab to wipe away any remaining moisture.
5. Close the cover by rotating the door back down and sliding it back into place until you hear a click.



FAQ & TROUBLESHOOTING

<p>Where do I place the SensorPod™?</p>	<p>Anywhere you want to measure the air quality within the room! For optimal results, place the SensorPod™ up to 15 m away from the air purifier on a counter or table, within line of sight of the purifier. In Auto Mode, the purifier will work to distribute clean air until the SensorPod reads an acceptable level of air quality.</p>
<p>How often do I need to change the filters?</p>	<p>That's easy! The purifier's replacement indicators will notify you when it is time to replace the Carbon or HEPA filters, or the UV-C lamp. Plan on replacing the Carbon every 3-4 months, HEPA every 12-15 months, and UV-C lamp every 1-3 years.</p>
<p>How often do I need to wash the Prefilter?</p>	<p>The Prefilter captures larger particles and preserves the efficiency of the other filters, so we recommend that you visually inspect the prefilter every month and wash as needed. Another good habit is to wash the prefilter every time you replace the Carbon filter.</p>
<p>How often do I need to clean the dust sensor within SensorPod™?</p>	<p>For the most accurate measurement of your air quality, we'd recommend you clean the surface of the dust sensor every 1-2 months.</p>
<p>Purifier won't turn on.</p>	<p>Check that the power cord is connected securely to both the wall outlet and the purifier. Check if there is a power outage in the outlet by trying a nearby light or device, or by trying a working device in the same outlet.</p> <p>Check that the HEPA filter is fitted properly into filter chamber.</p> <p>Please contact us if you're still having a problem! (page 19)</p>

FAQ & TROUBLESHOOTING

<p>Purifier won't go into Auto Mode.</p> <p>OR</p> <p>Air quality indicators are off.</p> <p>OR</p> <p>Purifier's sensor signal indicator is blinking.</p>	<p>First, check that the SensorPod is plugged-in and that its light is solid.</p> <p>Next, check that the SensorPod is within range of the purifier (up to 15m).</p> <p>If both are true and the connection is still failing, see below instructions on repairing the SensorPod's connection.</p>
<p>I've lost my SensorPod™!</p>	<p>Don't worry! Please contact our customer support team and you can order a replacement SensorPod. Follow the easy pairing instructions below to pair your replacement SensorPod with your existing air purifier!</p>

Pairing SensorPod™ and Purifier

The SensorPod communicates with the purifier using radio frequency signals, and will be paired on the production line and ready for use when you open the box. In the rare event that the signal is interrupted, the purifier's sensor indicator light (📶) will blink. You can repair the connection in just a few easy steps.

1. Unplug the SensorPod.
2. HOLD the Power Button on the purifier for 3 seconds, when you should hear two chimes.
3. Plug-in the SensorPod and use an item with a small point (paper clip) to press and HOLD the pairing button underneath the SensorPod for 5-7 seconds (Fig. N).

4. The connection is established when the purifier's sensor indicator light is lit with no blinking, and the air quality indicators turn on.

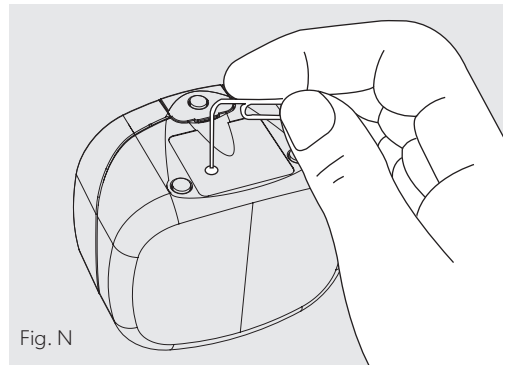


Fig. N

GUARANTEE

Operation of this machine is guaranteed for two years from date of purchase, subject to normal use. Within the guarantee period, ACCO will at its own discretion either repair or replace the defective machine free of charge. Defects due to misuse or use for inappropriate purposes are not covered under the guarantee. Proof of date of purchase will be required. Repairs or alterations made by persons not authorized by ACCO will invalidate the guarantee. It is our aim to ensure that our products perform to the specifications stated. This guarantee does not affect the legal rights which consumers have under applicable national legislation governing the sale of goods.

SUPPORT

Thank you for welcoming TruSens™ into your home. Our customers are at the heart of what we do, and we strive to design products that fit your lifestyle. If you have any questions or feedback, please reach out!

Visit our website at www.leitz.com/trusens

Email us at service.uk@acco.com

Call us at **0800 279 5102**

Ireland: **(01) 6038010**

M-Th **09:00 - 16:30**

F **09:00-16:00**

To register and activate your warranty go to www.leitz.com/register

TruSens™

Willkommen in sauberer Luft mit TruSens. Vielen Dank, dass wir Sie auf Ihrem Weg zum Wohlbefinden begleiten dürfen.

Die Raumluft, die wir atmen, sollte bis in die letzte Ecke des Raums sauber sein. TruSens SensorPod™, PureDirect™-Technik und 360°-Filterung sorgen dafür, dass im gesamten Raum saubere Luft herrscht.

SICHERHEITSHINWEISE

DIESE ANWEISUNGEN BITTE DURCHLESEN UND AUFBEWAHREN

Vor dem Auswechseln der UV-Lampe sowie bei Nichtverwendung des Luftreinigers, ist das Gerät vom Stromnetz zu trennen.



WARNUNG:

Zur Verringerung der Brand- und Stromschlaggefahr das Gerät nicht mit einem variablen Drehzahlregler verwenden. Das Gerät nicht mit einem beschädigten Netzkabel/-stecker oder einer losen Wandsteckdose verwenden.

Das Netzkabel nicht unter Teppichen, Läufern oder ähnlichen Belägen verlegen. Das Netzkabel nicht unter Möbeln oder Geräten verlegen. Das Kabel zur Vermeidung von Stolpergefahr außerhalb regelmäßig frequentierter Bereiche verlegen



WARNUNG:

Eine direkte Einwirkung der von der UV-Lampe erzeugten UV-Strahlung auf Haut und Augen kann zu Verletzungen führen. Schäden am Gehäuse und ein unzureichender Einsatz des Geräts können zum Austreten gefährlicher UV-C-Strahlung führen. UV-C-Strahlung kann schon in geringen Mengen zu Schäden an Augen und Haut führen. Vor dem Austausch der Lampe und jeglichen Wartungsarbeiten das Gerät vom Stromnetz trennen. Die UV-Lampe durch Artikel 2415108 (Z-2000) bzw. 2415111 (Z-3000) von ACCO Brands ersetzen.

- Vor Gebrauch sämtliche Verpackungen einschließlich Filterbeutel entfernen.
- Weist das Gerät sichtbare Schäden auf, darf es nicht betrieben werden.
- Das Gerät darf nur an eine für den Netzstecker geeignete Steckdose angeschlossen werden, die den Angaben auf dem Typenschild des Geräts entspricht.
- Das Gerät in Steckdosennähe aufstellen. Keine Verlängerungskabel verwenden.
- Das Gerät darf von Kindern ab 8 Jahren und Personen mit eingeschränkten physischen, sensorischen oder geistigen Fähigkeiten oder ohne ausreichende Erfahrung und ausreichendes Wissen verwendet werden, sofern sie beaufsichtigt werden oder über die sichere Verwendung des Geräts und alle Risiken und Gefahren aufgeklärt wurden.
- Kinder dürfen nicht mit dem Gerät spielen, es reinigen oder warten.
- Bei Austausch des UV-C-Strahlers das in der vorliegenden Anleitung genannte Modell verwenden.
- Das Gerät nicht selbst warten oder instandsetzen.
- Das Gerät und den SensorPod™ nur mit dem mitgelieferten Netzkabel verwenden.
- Das Gerät nur mit einem feuchten Tuch abwischen. Keine Lösungsmittel oder Bleiche verwenden.
- Vor Einschalten des Geräts immer sicherstellen, dass dieses auf einer stabilen, ebenen Fläche steht.
- Die Lufteinlass- und Luftauslassschlitze nicht blockieren.
- Nicht in die Lufteinlass- und Luftauslassschlitze fassen und keine Gegenstände hineinstecken.
- Wenn sich der Luftreiniger im Standby-Modus befindet, überträgt der SensorPod™ weiterhin ein Signal/Daten.

Betriebsfrequenz

Drahtlos: 2462 MHz

Maximale Sendeleistung

(EIRP) Drahtlos: 0 dBm

Antennengewinn

Drahtlos: 2 Dbi

Hiermit erklärt ACCO UK Ltd, dass die Funkgerätemodelle Leitz TruSens Luftreiniger Z-2000 und Z-3000 mit der Richtlinie 2014/53/EU übereinstimmen. Der vollständige Text der Konformitätserklärung kann auf <https://declarations.accobrand.com/> eingesehen werden.

Zwischen Gerät und Nutzer muss stets ein Mindestabstand von 20 cm eingehalten werden, um den Anforderungen zum Schutz vor HF-Exposition zu entsprechen.

Elektro- und Elektronik-Altgeräte

Nach Ablauf der Nutzungsdauer Ihres Produkts gilt dieses als Elektro- und Elektronik-Altgerät. Für solche Geräte gilt:

Elektro- und Elektronik-Altgeräte dürfen nicht als unsortierter Siedlungsabfall entsorgt werden. Sie sind getrennt zu sammeln, sodass sie demontiert und die Komponenten und Materialien recycelt, wiederverwendet oder verwertet (d. h. zur Energierückgewinnung als Kraftstoff bei der

Stromerzeugung verwendet) werden können.

Elektro- und Elektronik-Altgeräte können kostenlos bei öffentlichen Rücknahmestellen abgegeben werden. Geben Sie Ihr Elektro- und Elektronik-Altgerät bei der nächstgelegenen öffentlichen Rücknahmestelle ab. Lässt sich keine Rücknahmestelle finden, sollte der Händler, bei dem das Produkt erworben wurde, das Altgerät zurücknehmen.

Besteht zu dem Händler kein Kontakt mehr, wenden Sie sich für Hilfe in dieser Sache an ACCO.

Das Recycling von Elektro- und Elektronik-Altgeräten dient dem Umwelt- und Gesundheitsschutz, dem Erhalt von Rohstoffen, einer besseren nachhaltigen Entwicklung und einer besseren Versorgung mit Rohstoffen in der Europäischen Union. Dies wird durch Rückgewinnung wertvoller Sekundärrohstoffe und Abfallvermeidung erreicht. Sie können durch die Rückgabe des Altgeräts bei einer Rücknahmestelle Ihren Beitrag zu diesen Zielen leisten.

Das Produkt ist mit dem Symbol für Elektro- und Elektronik-Altgeräte (durchgestrichene Abfalltonne) gekennzeichnet. Das Symbol bedeutet, dass das Altgerät nicht als unsortierter Siedlungsabfall entsorgt werden darf.

Leitz TruSens Luftreiniger sind außerdem mit einem UV-C-Strahler ausgestattet. Nach dem Austausch dieses Artikels (während der Lebensdauer des Produkts) müssen diese ebenfalls zurückgegeben und bei Ihrer örtlichen Elektro- und Elektronik-Altgeräte-Sammelstelle entsorgt werden.

Weitere Informationen und Installationsanleitungen / Videos für den UV-C-Emitter finden Sie unter www.leitz.com

TECHNIK



SensorPod™

Remote-Luftqualitätsmesser, der saubere Luft im ganzen Raum gewährleistet.



PureDirect™-Technologie

Unabhängige Labortests bestätigen: Zwei Luftströme sind besser als einer und gewährleisten eine effektive und komfortablere Luftverteilung im Raum.



Informiert und passt sich an

Der farbcodierte Leuchtring zeigt die Luftqualität in Echtzeit an.



360 Grad Filtersystem

Der HEPA-Filter saugt Luft aus allen Richtungen an und filtert Schadstoffe und VOC-Gase. Keime und Bakterien, die sich im Filter absetzen können, werden durch UV-C-Licht vernichtet.

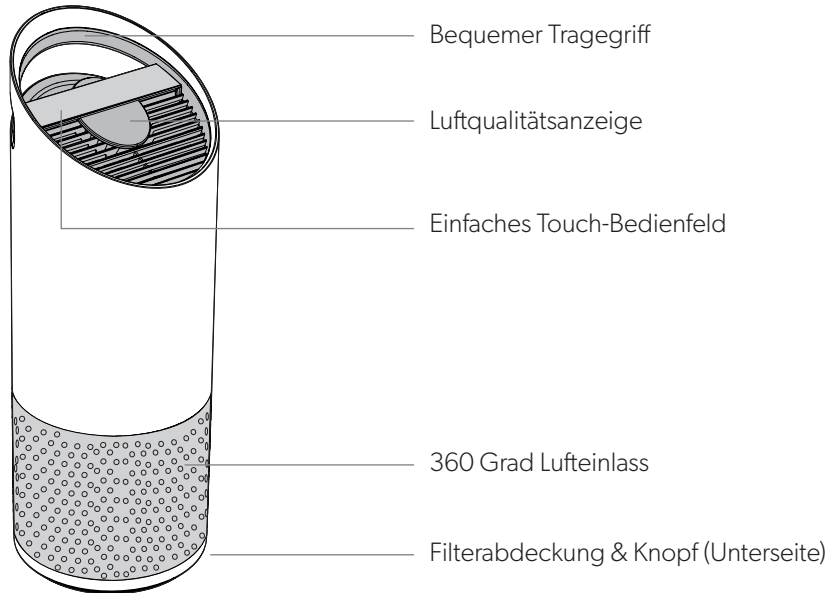


Durchdachte Ausführung

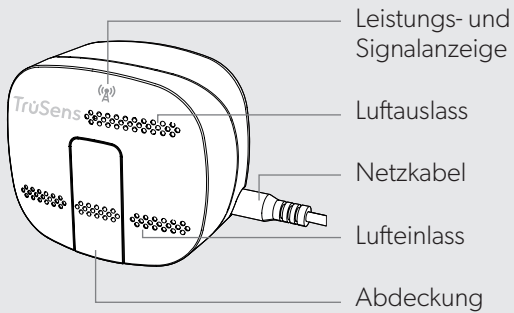
Erstklassige Funktionen, verpackt in einem zeitgemäßen Design, das in jede Umgebung passt.

PRODUKT

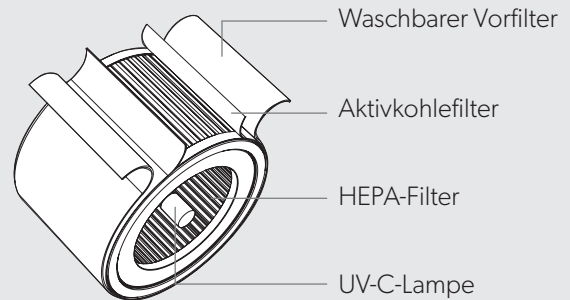
Luftreiniger



SensorPod™



Filter & UV-C-Lampe

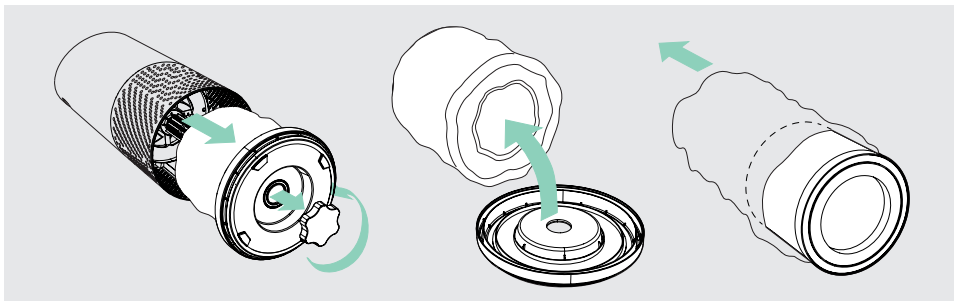


ERSTE SCHRITTE



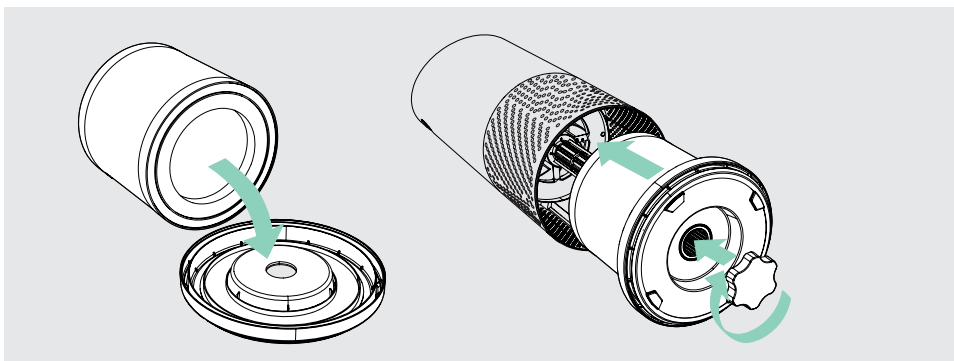
1. Plastikbeutel vom Filter entfernen

Untere Abdeckung abschrauben. Plastikbeutel vom Filter entfernen.



2. Filter wieder anbringen

Filter an Abdeckung anbringen und Abdeckung anschrauben.



3. Einrichtung

SensorPod™ an Steckdose anschließen.

SensorPod™ auf einem Tisch oder einer anderen Fläche in Sichtlinie zum Luftreiniger auf der anderen Raumseite aufstellen.

Gerät an Steckdose anschließen und einschalten.

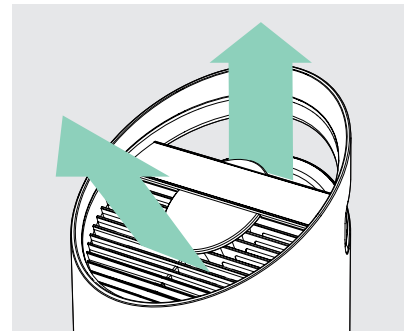
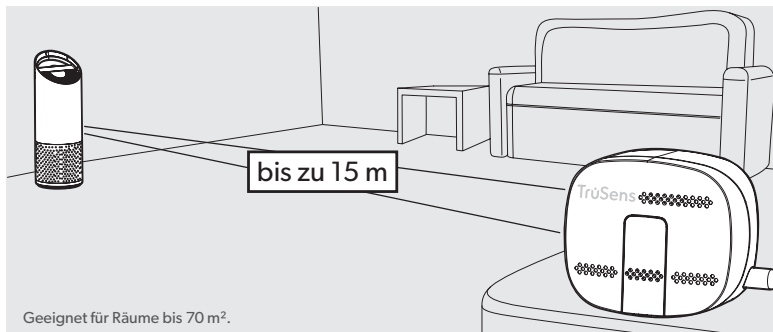
Luftreiniger auf einer flachen Fläche mit ausreichend Abstand zu Hindernissen aufstellen.

- Von allen Seiten muss Luft ungehindert in den Luftreiniger strömen können.
- Gerät nicht in der Nähe von Wohntextilien (Vorhänge, Bettwäsche usw.), Wärme- und Feuchtigkeitsquellen aufstellen.

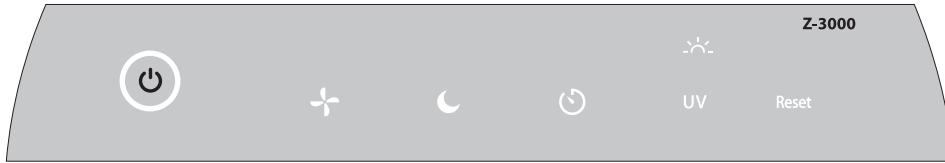
Die Signalstärke ist ortsabhängig. Bei einem etwaigen Betriebsproblem Seite 35 lesen.

4. Saubere Luft atmen!

Die Gebläsegeschwindigkeit des Luftreinigers passt sich automatisch an die vom SensorPod™ gemeldeten Luftqualitätswerte an. Die proprietäre PureDirect™-Technologie sorgt für saubere Luft im ganzen Raum.



BEDIENFELD



Betriebsschalter



Einstellung der Gebläsegeschwindigkeit

Im Automatikmodus wird die Gebläsegeschwindigkeit automatisch gemäß den vom SensorPod™ gemeldeten Luftqualitätswerten eingestellt.

(Der Automatikmodus ist nur verfügbar, wenn der Luftreiniger mit dem SensorPod™ gekoppelt ist und ein Signal empfängt.)



Nachtbetrieb

Die Displaybeleuchtung schaltet sich im Nachtmodus ab. Der Luftreiniger arbeitet unverändert weiter.

Um alle Anzeigefunktionen wiederherzustellen, die Taste erneut drücken.



Timerbetrieb


Der Luftreiniger schaltet nach 2, 4, 8 oder 12 Stunden automatisch ab.

Zum Abbrechen dieses Countdowns die Taste drücken, bis keine Timereinstellung mehr angezeigt wird.

UV

UV-Modus

Die UV-C-Lampe in der Filterkammer ist eingeschaltet, wenn die Anzeige  weiß leuchtet.

Die Anzeige  leuchtet rot, wenn die UV-C-Lampe ausgetauscht werden muss

(Anweisungen siehe Seite 32).

Reset

Zurücksetzen der Wechselanzeige

Die Anzeigen „HEPA“, „Carbon“ (Aktivkohlefilter) und „UV“ leuchten rot, wenn ein Austausch der jeweiligen Komponente erforderlich ist.

Leuchtet eine Anzeige, die Reset-Taste drei Sekunden lang gedrückt halten, um die Anzeige zurückzusetzen. Leuchten zwei oder alle drei Anzeigen, durch Antippen der Reset-Taste die gewünschte Anzeige auswählen (die ausgewählte Anzeige blinkt) und die Reset-Taste dann drei 3 Sekunden gedrückt halten, um die Anzeige zurückzusetzen.

(Anweisungen zum Austausch sind Seite 30-32 zu entnehmen. Nach Austausch eines Filters die Anzeige gemäß den Anweisungen oben zurücksetzen.)

LUFTQUALITÄTSANZEIGE

Echtzeit-Rückmeldung

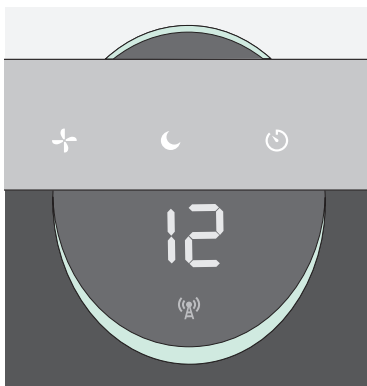
Der revolutionäre SensorPod™ bewertet den Zustand der Raumluft, indem er Feinstaub (PM_{2,5}) und größere Partikel (PM₁₀) misst. Er berechnet die Gesamtluftqualität anhand eines proprietären Algorithmus, der auf echte Steigerungen der Schadstoffe anspricht, jedoch nicht überreagiert, wenn jemand den Raum betritt oder sich auf eine Couch setzt.

Die Luftqualitätsanzeige besteht aus einem farbcodierten Leuchtring, der anzeigt, ob die Luftqualität gut, mäßig oder schlecht ist, und aus einer detaillierten Zahlenangabe.

Im Automatikmodus passt sich die Gebläsegeschwindigkeit den Luftqualitätswerten automatisch an.

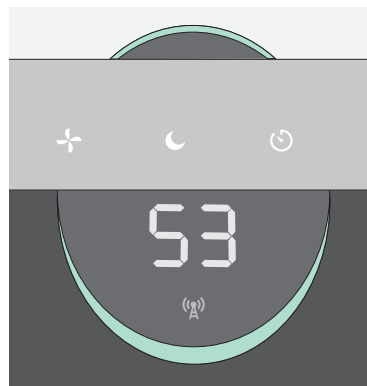
GUT

BLAU | 0 - 50



MÄSSIG

GELB | 50 - 100



SCHLECHT

ROT | 100 - 500



TECHNISCHE DATEN

Lufteinlass	360 Grad
2 Lüfterneuerungen pro Stunde	70 m ²
Luftzufuhrtechnik	PureDirect™
Sensor	SensorPod™, funktioniert in einer Entfernung zum Luftreiniger von bis zu 15 m
Gebläsegeschwindigkeit	Flüsterbetrieb, 1, 2, 3, Turbo
Reinigungsstufen	Waschbarer Vorfilter, Aktivkohlefilter, HEPA-Filter, UV-C-Lampe
Timereinstellungen	2, 4, 8, 12 Stunden
Wechselanzeigen	HEPA, Carbon, UV
Geräuschentwicklung	32 - 66 dB
Abmessungen	263 x 263 x 726 mm
Gewicht	5.7 kg
Motortyp	Gleichstrommotor
Netzanschluss	220-240v 50/60Hz 0,5A
Leistungsaufnahme	68 W
Garantie	2 Jahre

Ersatzfilter und UV-C-Lampe

3-in-1 HEPA-Trommelfilter	2415110
Aktivkohlefilter (3er-Pack)	2415109
UV-C-Lampe	2415111

WARTUNG & PFLEGE

Öffnen der Filterkammer

1. Den Luftreiniger immer am Betriebsschalter ausschalten und das Netzkabel ziehen.
2. Das Gerät vorsichtig auf die Seite auf den Boden legen, sodass der Knopf und die Abdeckung der Filterkammer zugänglich sind.
3. Den Knopf gegen den Uhrzeigersinn drehen und die Filterkammerabdeckung mit dem 360°-HEPA-Trommelfilter entfernen (Abb. A).

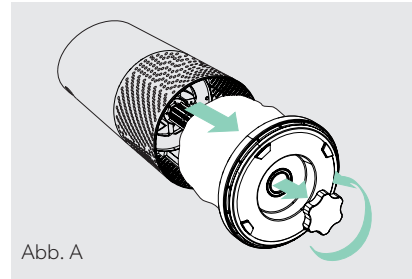


Abb. A

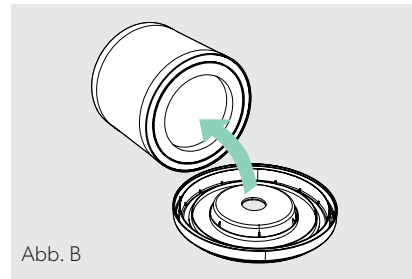


Abb. B

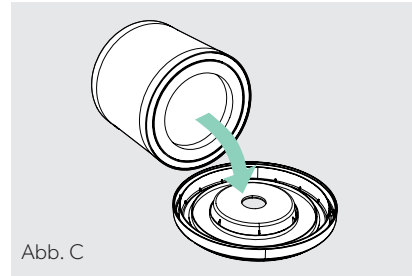


Abb. C

AUSTAUSCH DES HEPA-FILTERS

1. Die HEPA-Anzeige leuchtet rot, wenn der HEPA-Trommelfilter ausgetauscht werden muss.
2. Den HEPA-Trommelfilter vorsichtig von der Filterabdeckung abziehen (Abb. B).
3. Den neuen HEPA-Filter an der Filterabdeckung anbringen (Abb. C).
4. Die Filterabdeckung mit dem Trommelfilter vorsichtig in die Filterkammer einführen und auf das Gewinde setzen und den Knopf im Uhrzeigersinn festdrehen (Abb. D).
5. Netzkabel anschließen und Luftreiniger einschalten. Die Reset-Taste gedrückt halten, bis die rote HEPA-Anzeige erlischt.

Hinweis: Der HEPA-Trommelfilter (siehe Seite 29) besteht aus 3 Schichten: Waschbarer Vorfilter, Aktivkohlefilter und HEPA-Filter.

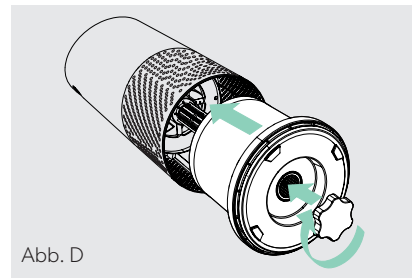


Abb. D

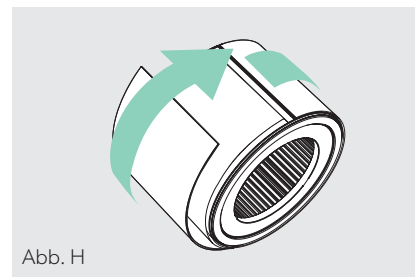
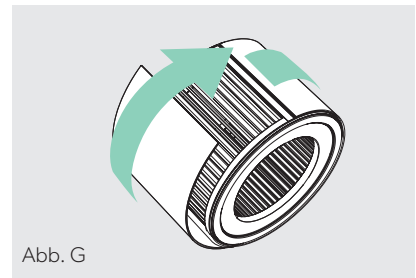
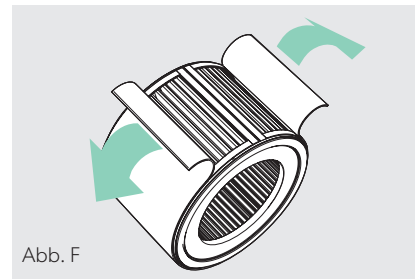
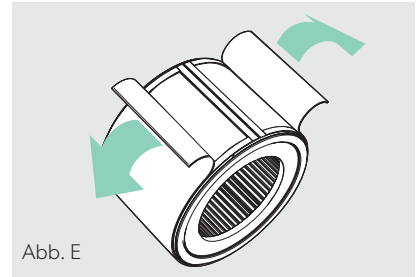
AUSTAUSCH DES AKTIVKOHLEFILTERS

1. Die Aktivkohlefilter-Anzeige leuchtet rot, wenn der Aktivkohlefilter ausgetauscht werden muss.
2. Den Vorfilter vorsichtig von den Befestigungsstegen ablösen (Abb. E).
3. Den verbrauchten Aktivkohlefilter vorsichtig von den Befestigungsstegen ablösen (Abb. F).
4. Einen neuen Aktivkohlefilter um die Filtertrommel legen und an den Befestigungsstegen befestigen (Abb. G).
5. Den Vorfilter um den Aktivkohlefilter legen und an den Befestigungsstegen befestigen (Abb. H).
6. Den Luftreiniger einschalten und die Reset-Taste gedrückt halten, bis die rote Aktivkohlefilter-Anzeige erlischt.



Hinweis: Der 3er-Pack des Aktivkohlefilters (siehe Seite 29) reicht für die drei zwischen jedem Austausch des HEPA-Trommelfilters (siehe Seite 30) erforderlichen Aktivkohlefilterwechsel.

WASCHEN DES VORFILTERS

1. Es wird empfohlen, den Vorfilter jeden Monat einer Sichtprüfung zu unterziehen und bei Bedarf zu waschen. Zumindest aber sollte der Vorfilter bei jedem Wechsel des Aktivkohlefilters gewaschen werden.
2. Den waschbaren Vorfilter vorsichtig von den Befestigungsstegen ablösen (Abb. E).
3. Den Filter mit fließendem Wasser abspülen und vor dem Einsetzen an der Luft trocknen lassen.
4. Den Vorfilter um die Filtertrommel legen und an den Befestigungsstegen befestigen (Abb. H).



AUSTAUSCH DER UV-C-LAMPE

1. Die Anzeige  leuchtet rot, wenn die UV-C-Lampe ausgetauscht werden muss.
2. Die HEPA-Filtertrommel entnehmen (Abb. A) und mit einem Schraubendreher die 4 Schrauben des UV-Gehäuses lösen (Abb. I).
3. Das UV-Gehäuse vorsichtig entnehmen (Abb. J).
4. Die UV-C-Lampe von der Fassung im Luftreiniger abziehen (Abb. K).
5. Die neue UV-C-Lampe (siehe Seite 29) in die Fassung stecken (Abb. L).
6. Das UV-Gehäuse wieder einsetzen und die Befestigungsschrauben festdrehen.
7. Den Luftreiniger einschalten und die Reset-Taste gedrückt halten, bis die  Anzeige weiß wird.

Hinweis: Den alten UV-C-Strahler bei einer Rücknahmestelle für Elektro- und Elektronik-Altgeräte abgeben.

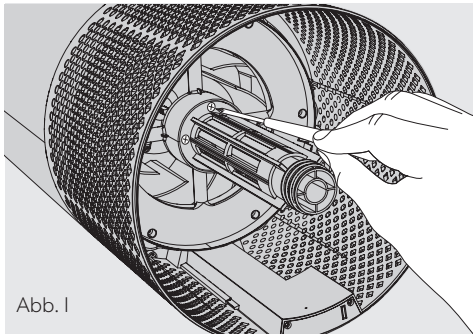


Abb. I

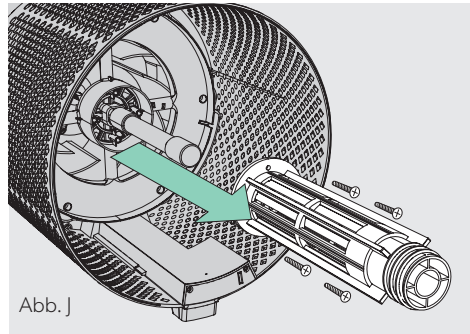


Abb. J

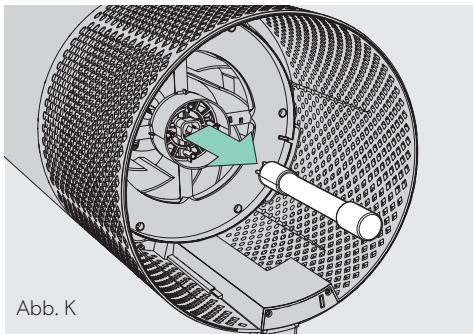


Abb. K

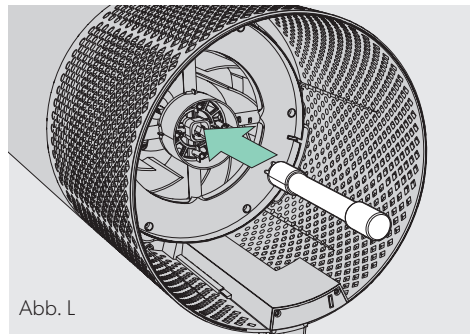


Abb. L

REINIGUNG DES SENSORPOD™

Reinigung des Luftqualitätssensors

Der SensorPod™ ist ein Infrarotsensor. Die Sensorkammer muss alle 1–2 Monate gereinigt werden, damit die Messgenauigkeit nicht durch Staub oder Partikel beeinträchtigt wird.

1. Den SensorPod™ durch Ziehen des Netzkabels ausschalten.
2. Die Abdeckung an der Vorderseite um 90° nach oben aufklappen.
3. Linse und Einlassbereich des Staubsensors mit einem feuchten Wattestäbchen reinigen (Abb. M).
4. Restliche Feuchtigkeit mit einem trockenen Wattestäbchen abwischen.
5. Abdeckung nach unten klappen und nach hinten schieben, bis ein Klicken zu hören ist.

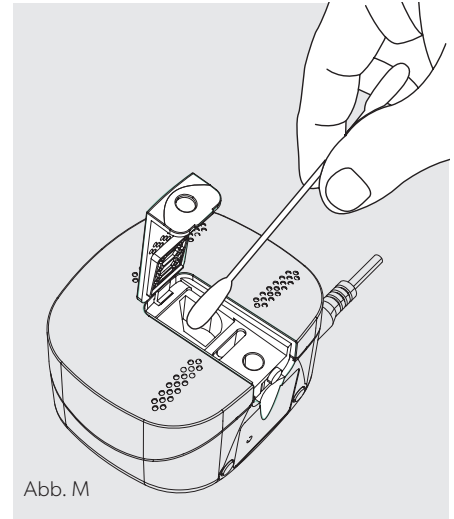


Abb. M

FAQ & FEHLERBEHEBUNG

<p>Wo muss der SensorPod™ aufgestellt werden?</p>	<p>An einer beliebigen Stelle im Raum, an der die Luftqualität gemessen werden soll. Optimal ist die Aufstellung in Sichtlinie zum Luftreiniger und bis zu 15 Meter von diesem entfernt auf einer Arbeitsfläche oder einem Tisch. Im Automatikmodus verteilt der Luftreiniger saubere Luft, bis vom SensorPod™ eine zufriedenstellende Luftqualität gemeldet wird.</p>
<p>Wie oft müssen die Filter gewechselt werden?</p>	<p>Das ist einfach! Die Wechselanzeigen am Luftreiniger signalisieren, wenn der Kohle- oder HEPA-Filter oder die UV-C-Lampe ausgetauscht werden muss. Der Aktivkohlefilter muss etwa alle 3–4 Monate, der HEPA-Filter alle 12–15 Monate und die UV-C-Lampe alle 1–3 Jahre gewechselt werden.</p>
<p>Wie oft muss der Vorfilter gewaschen werden?</p>	<p>Im Vorfilter setzen sich gröbere Partikel ab. Er sorgt so für eine effiziente Wirkung der anderen Filter. Er sollte monatlich einer Sichtprüfung unterzogen und bei Bedarf gereinigt werden. Es ist auch gute Praxis, den Vorfilter bei jedem Wechsel des Aktivkohlefilters zu waschen.</p>
<p>Wie oft muss der Staubsensor im SensorPod™ gereinigt werden?</p>	<p>Zur Gewährleistung einer möglichst hohen Messgenauigkeit wird empfohlen, die Oberfläche des Staubsensors alle 1–2 Monate zu reinigen.</p>
<p>Der Luftreiniger schaltet sich nicht ein.</p>	<p>Prüfen, ob das Netzkabel fest mit der Wandsteckdose und dem Luftreiniger verbunden ist. Durch Anschließen eines anderen Geräts oder einer Lampe an der Steckdose prüfen, ob diese funktioniert.</p> <p>Prüfen, ob der HEPA-Filter korrekt in der Filterkammer installiert ist.</p> <p>Besteht das Problem weiter, den Kundendienst verständigen (Seite 36).</p>

FAQ & FEHLERBEHEBUNG

<p>Der Luftreiniger wechselt nicht in den Automatikmodus. Oder Die Luftqualitätsanzeigen sind ausgeschaltet. Oder Die Sensorsignalanzeige des Luftreinigers blinkt.</p>	<p>Prüfen, ob der SensorPod™ angeschlossen ist und seine Anzeige dauerhaft leuchtet.</p> <p>Als nächstes prüfen, ob sich der SensorPod™ in Reichweite des Luftreinigers befindet (bis zu 15 m).</p> <p>Trifft beides zu und es wird weiterhin keine Verbindung hergestellt, die Anweisungen unten zur Wiederherstellung der Verbindung befolgen.</p>
<p>Ich habe meinen SensorPod™ verloren!</p>	<p>Keine Sorge. Bei unserem Kundendienst kann ein Ersatz- SensorPod™ bestellt werden. Die Anweisungen unten befolgen, um den Ersatz-SensorPod™ mit dem Luftreiniger zu koppeln!</p>

Kopplung von SensorPod™ und Luftreiniger

Der SensorPod™ kommuniziert per Funksignal mit dem Luftreiniger. Er ist ab Werk mit dem Luftreiniger gekoppelt und direkt nach dem Auspacken betriebsbereit. Sollte das Signal doch einmal unterbrochen werden, blinkt die Sensorsignalanzeige des Luftreinigers. Die Verbindung kann mit wenigen Schritten wiederhergestellt werden.

1. Den SensorPod™-Stecker abziehen.
2. Den Betriebsschalter am Luftreiniger 3 Sekunden lang GEDRÜCKT HALTEN, bis zwei Tonsignale zu hören sind.
3. Den SensorPod™ wieder an die Steckdose anschließen und mit einer Büroklammer oder einem ähnlich feinen Gegenstand die Kopplungstaste

an der Unterseite des SensorPod™ 5–7 Sekunden gedrückt halten (Abb. N).

4. Die Verbindung ist hergestellt, wenn die Sensorsignalanzeige des Luftreinigers aufhört zu blinken und dauerhaft leuchtet und die Luftqualitätsanzeigen eingeschaltet werden.

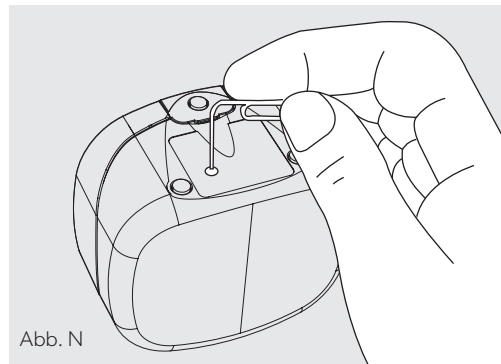


Abb. N

GARANTIE

Der Betrieb des Geräts ist bei normaler Verwendung für 2 Jahre ab Kaufdatum gewährleistet. Innerhalb des Garantiezeitraums wird das Gerät bei einem Defekt von ACCO nach eigenem Ermessen kostenlos instand gesetzt oder ersetzt. Die Garantie deckt keine Mängel aufgrund missbräuchlicher oder unsachgemäßer Verwendung ab. Ein Nachweis des Kaufdatums muss vorgelegt werden. Instandsetzungen oder Änderungen, die von nicht von ACCO autorisierten Personen vorgenommen werden, setzen die Garantie außer Kraft. Es ist unser Ziel, sicherzustellen, dass die Leistung unserer Produkte den angegebenen technischen Daten entspricht. Diese Garantie stellt keine Einschränkung der nach dem geltenden Kaufvertragsrecht gültigen Rechte des Verbrauchers dar.

KUNDENDIENST

Vielen Dank für Ihren Erwerb eines TruSens™. Unsere Kunden stehen im Mittelpunkt unserer Tätigkeit und wir sind bestrebt, Produkte zu entwickeln, die zu ihrem Lebensstil passen. Bei Fragen oder Anregungen wenden Sie sich bitte an uns!

Kundenservice in Deutschland:

Besuchen Sie unsere Website auf www.leitz.com/trusens

Schicken Sie uns eine E-Mail an germanyinfo@acco.com

Rufen Sie uns an unter (+49) (711) 8103 -0

Kundenservice in Österreich:

Besuchen Sie unsere Website auf www.leitz.com/trusens

Schicken Sie uns eine E-Mail an kundenservice-austria@acco.com

Rufen Sie uns an unter (+43) 02256 64000

Kundenservice in der Schweiz:

Besuchen Sie unsere Website auf www.leitz.com/trusens

Schicken Sie uns eine E-Mail an info.ch@acco.com

Rufen Sie uns an unter (+41) (61) 485 94 94

Um sich zu registrieren und Ihre Garantie zu aktivieren, gehen Sie zu www.leitz.com/register

TruSens™

Profitez d'un air pur avec TruSens. Merci de nous laisser vous accompagner à la recherche du bien-être.

L'air que vous respirez doit être pur, quel que soit l'endroit où vous vous trouvez dans une pièce. Grâce au SensorPod™ TruSens, à la technologie PureDirect™ et à la filtration à 360 °, la pièce entière bénéficie d'un air plus pur.

CONSIGNES DE SÉCURITÉ

LISEZ CES INSTRUCTIONS ET CONSERVEZ-LES

Débranchez l'appareil de la prise secteur avant de remplacer les filtres ou la lampe UVC, ou en cas d'inutilisation de l'appareil.



AVERTISSEMENT: Pour réduire le risque d'incendie et de choc électrique, ne pas utiliser ce purificateur d'air avec un régulateur de vitesse à semi-conducteur. Ne pas utiliser le purificateur d'air si sa fiche ou son cordon est endommagé ou si la prise murale est mal fixée. Si le cordon d'alimentation est endommagé, il doit être remplacé par le fabricant, son agent de maintenance ou toute personne dûment qualifiée afin d'éviter tout danger potentiel. Ne pas faire passer le cordon sous une moquette, un tapis ou tout autre revêtement similaire. Ne pas faire passer le cordon sous des meubles ou appareils. Placer le cordon à l'écart des aires de passage, à un endroit où il ne risque pas de faire trébucher quelqu'un.



AVERTISSEMENT: Ne pas regarder directement la lumière émise par la lampe UVC de cet appareil pour éviter tout dommage aux yeux ou à la peau. Le mauvais usage de l'appareil ou l'endommagement de son boîtier peut entraîner des fuites dangereuses de radiations UVC. Même en petites doses, les rayons UVC peuvent causer des lésions aux yeux et à la peau. Toujours mettre l'appareil hors tension avant le remplacement de la lampe ou l'entretien. Remplacer la lampe UVC avec le modèle 2415108 (pour le Z-2000) et le modèle 2415111 (pour le Z-3000), fabriqués par ACCO Brands.

- Avant toute utilisation, retirer tout l'emballage, y compris le sac recouvrant le filtre.
- Ne jamais utiliser un appareil qui présente des signes d'endommagement.
- Cet appareil ne doit être branché qu'à une prise secteur murale correspondant au type de fiche et à la tension indiqués sur la plaque signalétique de l'appareil.
- Placer le purificateur d'air à proximité de la prise secteur murale et n'utilisez pas de rallonge.
- Cet appareil peut être utilisé par des enfants d'au moins 8 ans et par des personnes dont les capacités physiques, sensorielles ou mentales sont réduites ou qui manquent d'expérience et de connaissances, à condition qu'ils puissent bénéficier d'une surveillance ou d'instructions préalables concernant l'utilisation de l'appareil de manière sûre et qu'elles comprennent les dangers potentiels.
- Les enfants ne doivent pas jouer avec l'appareil, ni le nettoyer, ni essayer d'en faire l'entretien.
- Remplacer la lampe UVC avec le modèle précisé dans ce manuel.
- Ne pas essayer d'entretenir ni de réparer soi-même cet appareil.
- Utiliser le purificateur et SensorPod™ uniquement avec le cordon d'alimentation fourni.
- Nettoyer l'appareil uniquement avec un linge humide. Ne pas utiliser de solvants ni d'eau de Javel.
- Toujours placer l'appareil sur une surface ferme et plane avant de l'utiliser.
- Ne pas bloquer ni obstruer l'entrée d'air ou la sortie d'air.
- Ne pas insérer les doigts ou d'autres articles dans l'entrée ou la sortie d'air.
- Le SensorPod™ continue d'émettre un signal ou des données même lorsque le purificateur d'air est en mode veille.

Fréquence de fonctionnement

Sans fil : 2 462 MHz

Puissance d'émission maximale

(PIRE) Sans fil : 0 dBm

Gain d'antenne

Sans fil : 2 Dbi

Par les présentes, ACCO UK Ltd déclare que les équipements radioélectriques comme les purificateurs d'air Leitz TruSens Z-2000 et Z-3000 sont conformes à la Directive 2014/53/UE.

Vous pouvez consulter le texte intégral de la déclaration UE de conformité à l'adresse internet suivante : <https://declarations.accobrand.com/>

Pour respecter les exigences d'exposition aux RF, une distance de séparation minimale de 200 mm doit être maintenue entre le corps de l'utilisateur et l'appareil.

Déchets d'équipements électriques et électroniques (DEEE)

À la fin de sa vie utile, votre produit est considéré comme un déchet d'équipements électriques et électroniques. Il est alors important de noter ce qui suit :

Les DEEE ne doivent pas être éliminés avec les déchets municipaux non triés. Ils doivent être collectés séparément en vue de leur démantèlement afin que leurs composants et matériaux puissent être recyclés, réutilisés et valorisés (en tant que combustibles pour valorisation énergétique dans la production d'électricité).

Les municipalités ont créé des points de collecte publics où vous pouvez déposer vos DEEE gratuitement.

Veuillez déposer vos DEEE au point de collecte le plus proche de votre bureau ou de votre domicile.

Si vous avez de la difficulté à trouver un point de collecte, le détaillant qui vous a vendu le produit doit normalement accepter votre DEEE.

Si vous n'êtes plus en contact avec votre détaillant, veuillez contacter ACCO pour obtenir son assistance en la matière.

Le recyclage des DEEE a pour objectif la protection de l'environnement, la protection de la santé humaine, la préservation des matières premières, l'amélioration du développement durable et l'amélioration de l'approvisionnement de l'Union européenne en produits de base. Cela sera possible en récupérant les matières premières secondaires précieuses et en réduisant la quantité de déchets à éliminer. Vous pouvez contribuer à la réalisation de ces objectifs en déposant votre DEEE à un point de collecte.

Votre produit comporte le symbole DEEE (représentant une poubelle barrée). Ce symbole vous indique que le DEEE ne doit pas être éliminé avec les déchets municipaux non triés.

Les purificateurs d'air Leitz TruSens sont également équipés d'un émetteur UV-C. Lors du remplacement de cet article (pendant la durée de vie du produit), ceux-ci doivent également être retournés et éliminés dans votre centre de collecte DEEE local.

Vous trouverez de plus amples informations et des guides / vidéos d'installation pour l'émetteur UV-C sur www.leitz.com

PRINCIPALES FONCTIONNALITÉS



SensorPod™

Capteur de qualité d'air à distance, qui garantit un air plus pur à l'endroit voulu.



Technologie PureDirect™

Des tests en laboratoire indépendants confirment que deux flux d'air valent mieux qu'un ; ils dispersent l'air dans toute la pièce avec efficacité sans gêner le confort des personnes dans la pièce.



Informe et s'adapte

Un cercle lumineux à code couleur donne des informations supplémentaires en indiquant la qualité de l'air en temps réel.



Purification 360°

Le filtre HEPA capture les polluants et les gaz/odeurs de COV venant de toutes les directions. Les rayons UV-C détruisent les microbes susceptibles d'être piégés dans le filtre.

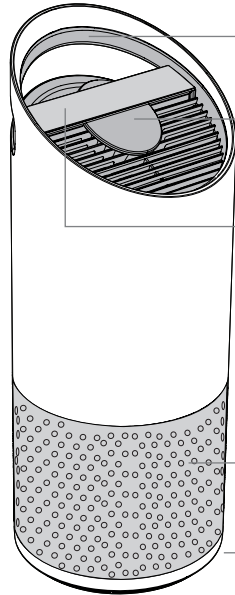


Conception bien pensée

Fonctionnalités exceptionnelles accompagnées d'un design contemporain adapté à tout environnement.

PRÉSENTATION DU PRODUIT

Purificateur d'air



Poignée de transport

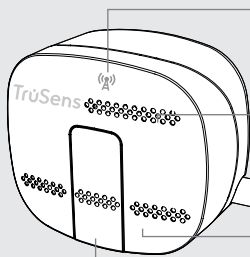
Affichage de la qualité de l'air

Panneau de commande à touches à effleurement

Entrée d'air à 360°

Couvercle de filtre et molette (dessous)

SensorPod™



Indicateur
d'alimentation
et de signal

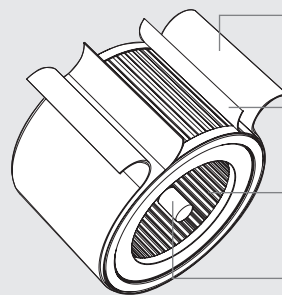
Sortie d'air

Cordon
d'alimentation

Entrée d'air

Couvercle pour
accès facile

Filtre et lampe UV-C



Préfiltre lavable

Filtre à charbon actif

Filtre HEPA

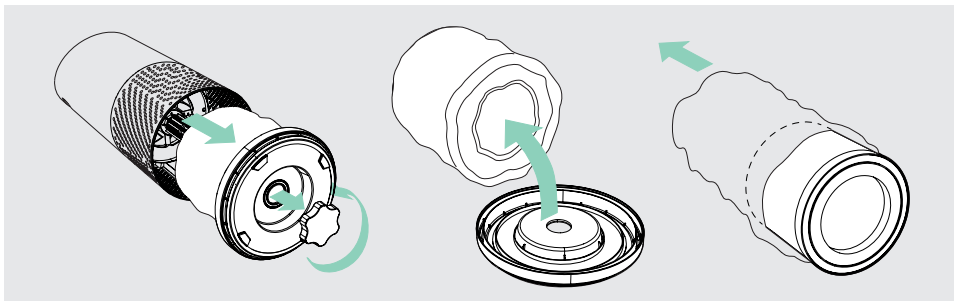
Lampe UV-C

DÉMARRAGE



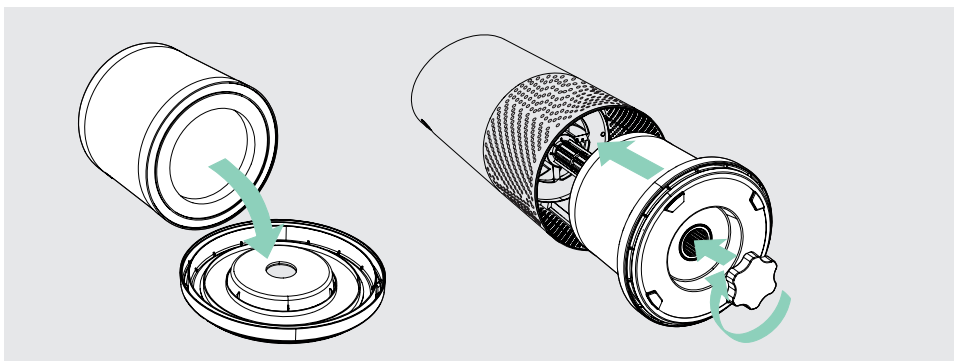
1. Sortez le filtre du sac en plastique

Dévissez le couvercle inférieur et retirez l'emballage plastique du filtre.



2. Repositionnez le filtre

Fixez le filtre sur le couvercle inférieur et remettez-le dans le purificateur.



3. Allumez l'appareil

Branchez le SensorPod™.

Placez le SensorPod™ sur une table ou surface de travail de l'autre côté de la pièce, dans le champ de vision du purificateur.

Branchez le purificateur et mettez-le sous tension.

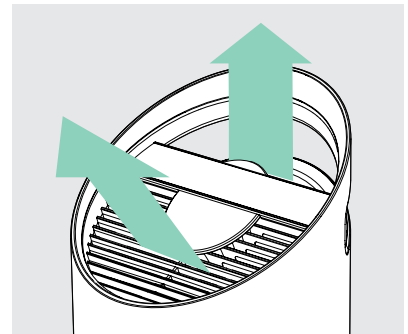
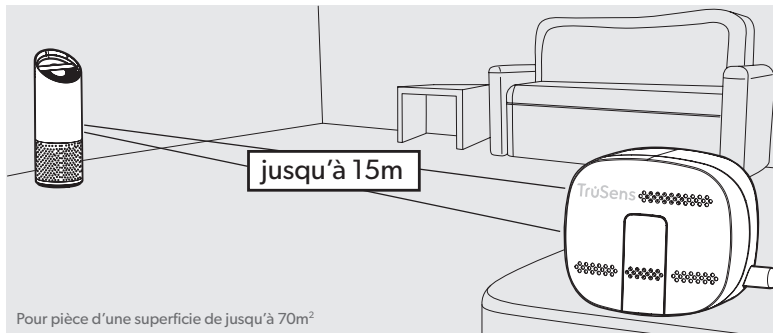
Placez le purificateur sur une surface plane, loin de toute obstruction

- là où il peut capter librement l'air venant de toutes les directions
- en évitant les articles textiles comme la literie et les rideaux, ainsi que les sources de chaleur ou d'humidité.

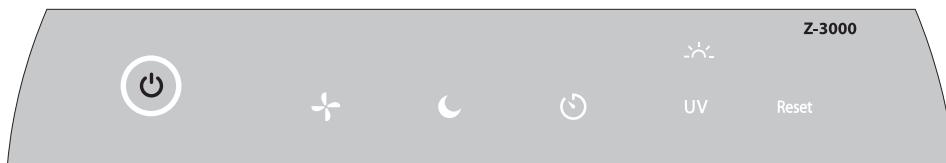
L'intensité du signal peut varier en fonction de l'emplacement. Dans les cas rares où il ne fonctionne pas, consultez la page 52.

4. Commencez à respirer un air plus pur !

Le purificateur ajustera automatiquement la vitesse du ventilateur en fonction des relevés de qualité d'air du SensorPod™, et la technologie propriétaire PureDirect™ disperse un air purifié dans toute la pièce !



PANNEAU DE COMMANDE



Bouton marche/arrêt



Réglages de vitesse du ventilateur

Sélectionnez la vitesse du ventilateur ou le mode AUTO. En mode AUTO, le purificateur ajuste automatiquement la vitesse du ventilateur en fonction des relevés de qualité d'air du SensorPod™.

(Le mode AUTO n'est disponible que lorsque le purificateur fonctionne avec le SensorPod™ et reçoit un signal.)



Mode nuit

L'affichage lumineux s'éteint sans compromettre l'efficacité du purificateur – à utiliser pendant le sommeil.

Il suffit d'appuyer de nouveau sur cette touche pour réafficher toutes les fonctionnalités.





Mode minuterie

Le purificateur s'éteint automatiquement au bout de 2, 4, 8 ou 12 heures.

Pour annuler cette minuterie, appuyez simplement sur la touche jusqu'à la disparition de l'affichage du réglage de la minuterie.

UV

Mode UV

La lampe UV-C située dans le logement du filtre du purificateur est activée lorsque le symbole  est blanc. Ce symbole  s'allume en rouge lorsque la lampe UV-C a besoin d'être remplacée.

(Voir page 49 pour les instructions).

Reset

Réinitialisation des indicateurs de filtre et de lampe UV-C

Les indicateurs HEPA, Carbon et UV s'allument en rouge lorsqu'il est temps de remplacer le filtre à particules, le filtre à charbon et la lampe UV-C respectivement.

Pour réinitialiser un indicateur qui s'est allumé en rouge, il suffit de maintenir enfoncée la touche Reset pendant 3 secondes.

Si plusieurs indicateurs se sont allumés, tapez sur la touche Reset pour sélectionner l'indicateur approprié (l'indicateur sélectionné se met à clignoter) avant de maintenir cette touche enfoncée pendant 3 secondes pour réinitialiser l'indicateur.

(Voir pages 47-49 pour les instructions de remplacement. Après le remplacement d'un filtre ou de la lampe, suivez les instructions de réinitialisation d'indicateur ci-dessus).

AFFICHAGE DE LA QUALITÉ DE L'AIR

Feedback en temps réel

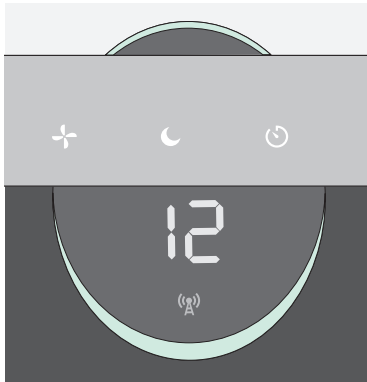
Le SensorPod™ révolutionnaire évalue la qualité de l'air en mesurant à la fois les particules petites (2,5 microns) et plus larges (10 microns). Il mesure la qualité générale de l'air à l'aide d'un algorithme propriétaire qui détecte les augmentations véritables de polluants sans réagir de manière excessive lorsque quelqu'un entre dans la pièce ou s'y assoit.

L'affichage lumineux à code couleur indique si la qualité de l'air est bonne, moyenne ou mauvaise, tandis qu'une valeur numérique donne une information plus précise.

En mode AUTO, le purificateur ajuste automatiquement la vitesse du ventilateur en fonction de ces relevés de la qualité de l'air.

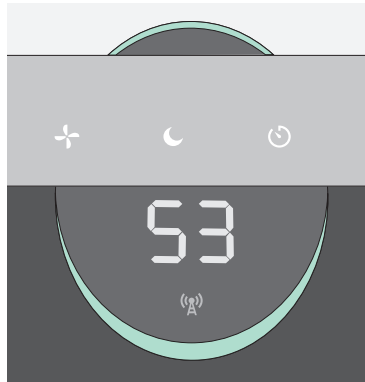
BONNE

BLEU | 0 - 50



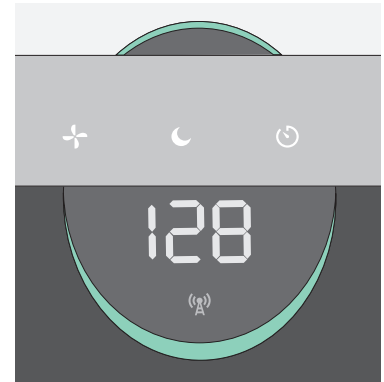
MOYENNE

JAUNE | 50 - 100



MAUVAISE

ROUGE | 100 - 500



SPÉCIFICATIONS

Entrée d'air	360°
Renouvellement de l'air 2 fois par heure	70 m ²
Type de dispersion de l'air	PureDirect™
Capteur	SensorPod™ fonctionne à une distance de jusqu'à 15m du purificateur
Réglages de vitesse du ventilateur	Whisper, 1, 2, 3, et Turbo
Niveaux de purification	Préfiltre lavable, filtre à charbon actif, filtre HEPA, lampe UV-C
Réglages de la minuterie	2, 4, 8 et 12 heures
Indicateurs de changement	Carbon, HEPA et UV
Bruit	32 - 66 dB
Dimensions	263 x 263 x 726 mm
Poids	5,7 kg
Type de moteur	Moteur à courant continu
Alimentation	220-240 V, 50/60 Hz 0,5 A
Consommation d'énergie	68 W
Garantie	2 ans

Remplacement des filtres et de la lampe UV-C

Filtre complet HEPA 3 en 1	2415110
Filtre à charbon actif (pack de 3)	2415109
Lampe UV-C	2415111

ENTRETIEN ET MAINTENANCE

Accès au logement du filtre complet

1. Mettez toujours le purificateur hors tension en appuyant sur la touche marche/arrêt et en débranchant le cordon d'alimentation.
2. Posez doucement l'appareil sur le côté sur le sol afin de pouvoir accéder au couvercle du logement et à la molette.
3. Tournez la molette dans le sens antihoraire et retirez le couvercle ainsi que le filtre HEPA de 360° (Fig. A).

REMPACEMENT DU FILTRE HEPA

1. L'indicateur HEPA s'allume en rouge quand il est temps de remplacer le filtre complet HEPA.
2. Retirez doucement le filtre complet HEPA du couvercle auquel il est fixé (Fig. B).
3. Fixez le nouveau filtre sur le couvercle (Fig. C).
4. Placez délicatement le couvercle et le filtre complet à l'intérieur du logement à filtre et sur le filetage, puis tournez la molette dans le sens horaire jusqu'à ce que la molette et le couvercle soient fermement serrés (Fig. D).
5. Branchez le purificateur et mettez-le sous tension, puis appuyez sur la touche Reset jusqu'à ce que l'indicateur de filtre HEPA rouge s'éteigne.

Remarque : le filtre complet HEPA (voir page 46) inclut 3 couches : préfiltre lavable, filtre à charbon actif et filtre HEPA.

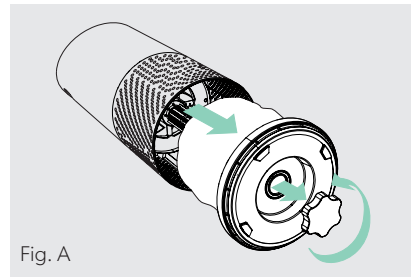


Fig. A

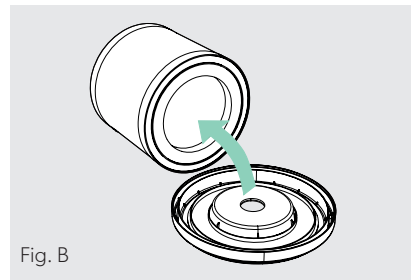


Fig. B

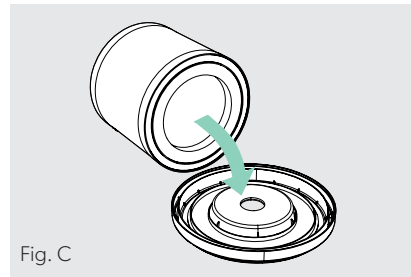


Fig. C

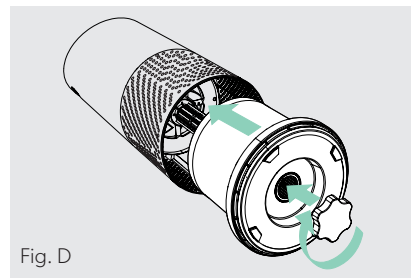


Fig. D

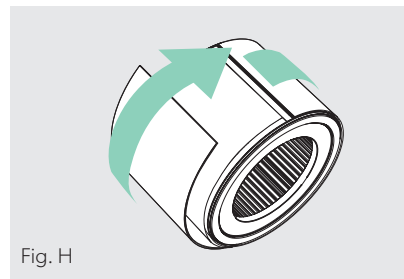
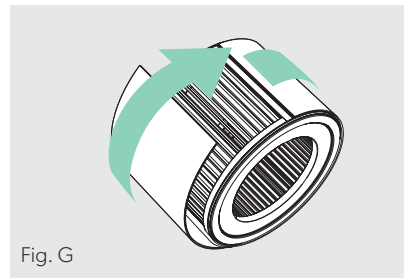
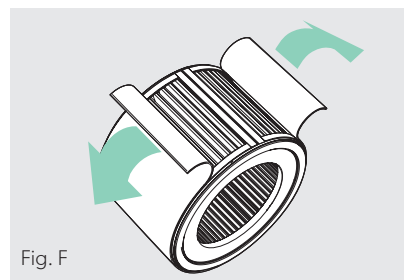
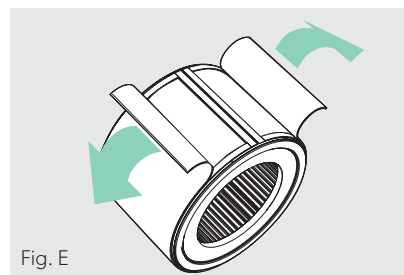
REPLACEMENT DU FILTRE À CHARBON ACTIF

1. L'indicateur du filtre à charbon actif s'allume en rouge lorsque la couche de charbon a besoin d'être remplacée.
2. Décollez délicatement le préfiltre des bandes Velcro (Fig. E).
3. Décollez délicatement la couche de charbon usagée des bandes Velcro (Fig. F).
4. Enveloppez une nouvelle couche de charbon autour du tambour et collez-la aux mêmes bandes Velcro (Fig. G).
5. Enveloppez le préfiltre autour de la couche de charbon et collez-le aux bandes Velcro (Fig. H).
6. Une fois que vous avez mis le purificateur sous tension, maintenez enfoncée la touche Reset jusqu'à ce que l'indicateur de filtre à charbon actif s'éteigne.


Remarque : le pack de 3 filtres à charbon actif (voir page 46) permettra d'effectuer les 3 remplacements du filtre à charbon actif requis avant le prochain remplacement du filtre complet HEPA (voir page 47).

LAVAGE DU PRÉFILTRE

1. Nous vous conseillons d'inspecter visuellement le préfiltre tous les mois, et de le nettoyer si besoin. Au minimum, vous devez le laver à la main à chaque fois que vous remplacez le filtre à charbon actif.
2. Décollez délicatement le préfiltre lavable des bandes Velcro (Fig. E).
3. Rincez-le délicatement sous l'eau du robinet et laissez-le sécher à l'air libre avant de le réinstaller.
4. Enveloppez le préfiltre autour de la couche de charbon et collez-le aux bandes Velcro (Fig. H).



REPLACEMENT DE LA LAMPE UV-C

1. Le symbole  s'allume en rouge lorsque la lampe UV-C a besoin d'être remplacée.
2. Retirez le filtre complet HEPA (Fig. A) et, à l'aide d'un tournevis, enlevez les 4 vis de fixation du logement de lampe UV-C (Fig. I).
3. Retirez délicatement le logement de la lampe UV-C (Fig. J).
4. Débranchez la lampe UV-C de la prise dans le purificateur (Fig. K).
5. Branchez directement la nouvelle lampe UV-C (voir page 46) dans la même prise (Fig. L).
6. Remettez en place le logement de la lampe UV-C et, à l'aide d'un tournevis, serrez bien les vis de fixation.
7. Une fois que vous avez mis le purificateur sous tension, maintenez enfoncée la touche Reset jusqu'à ce que l'indicateur s'allume en blanc.

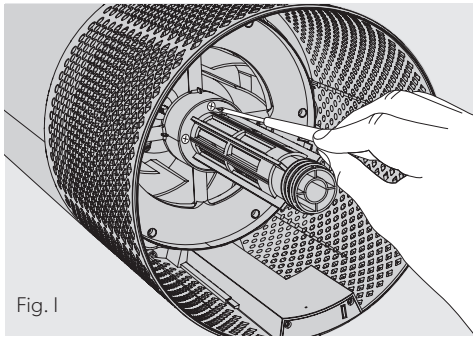


Fig. I

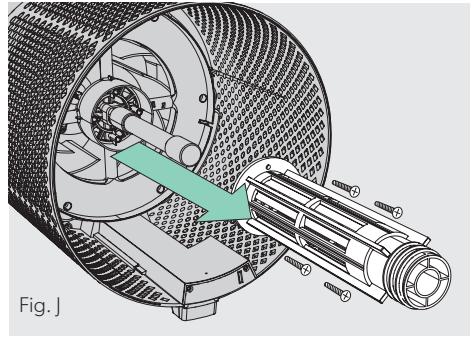


Fig. J

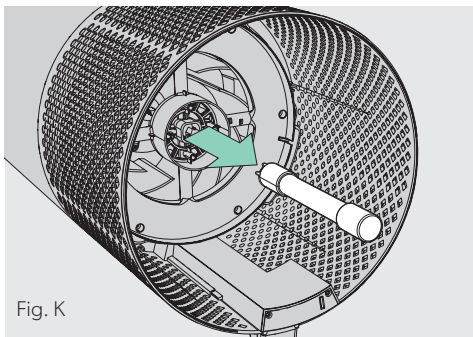


Fig. K

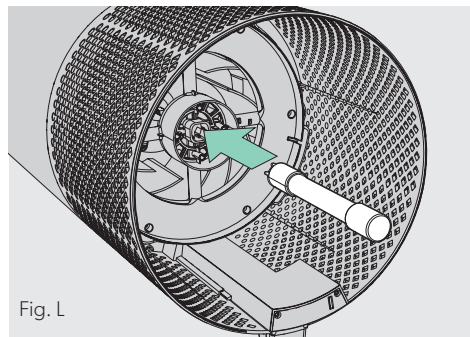


Fig. L

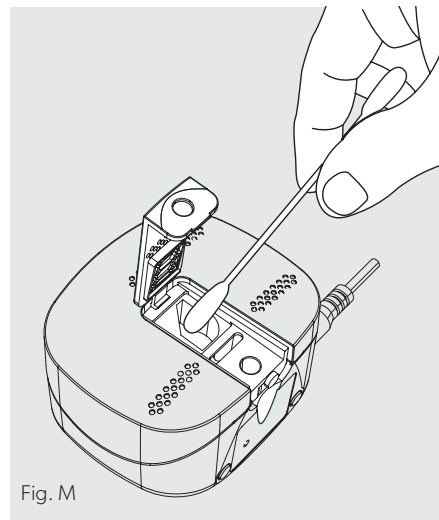
Remarque : après le remplacement de l'émetteur UV-C, veuillez l'éliminer à votre point de collecte local des DEEE.

NETTOYAGE DU SENSORPOD™

Nettoyage du capteur de qualité d'air

Comme le SensorPod™ détecte les particules à l'aide d'une lumière infrarouge, il est important de nettoyer l'intérieur du capteur de poussière une fois par mois ou tous les deux mois afin de retirer les poussières et particules susceptibles d'affecter l'exactitude des relevés du capteur.

1. Éteignez le SensorPod™ en débranchant le cordon d'alimentation.
2. Ouvrez le couvercle situé sur la face avant en le soulevant à un angle de 90° afin d'accéder facilement à l'intérieur.
3. Utilisez un coton tige humidifié pour nettoyer la lentille et l'intérieur du capteur de poussière (Fig. M).
4. Retirez toute humidité restante à l'aide d'un coton tige sec.
5. Refermez le couvercle en l'abaissant et le remettant en place jusqu'à ce que vous entendiez un clic.



FAQ ET DÉPANNAGE

<p>Où dois-je positionner le SensorPod™ ?</p>	<p>À tout endroit où vous souhaitez mesurer la qualité de l'air dans une pièce. Pour optimiser les résultats, placez-le à 15 mètres maximum du purificateur d'air sur une surface de travail ou une table, dans le champ de vision du purificateur. En mode AUTO, le purificateur dispense de l'air pur jusqu'à ce que le SensorPod™ détecte une qualité d'air acceptable.</p>
<p>Quand dois-je remplacer les filtres ?</p>	<p>C'est simple ! Les indicateurs de remplacement pour le purificateur vous avertiront quand vous devrez remplacer le filtre à charbon actif, le filtre HEPA ou la lampe UV-C. Prévoyez de remplacer le filtre à charbon actif tous les 3 à 4 mois, le filtre HEPA tous les 12 à 15 mois et la lampe UV-C une fois par an ou tous les 2 ou 3 ans.</p>
<p>Quand dois-je laver le préfiltre ?</p>	<p>Le préfiltre capture les particules plus larges et renforce l'efficacité des autres filtres. Nous vous conseillons donc d'en faire l'inspection visuelle tous les mois et de le laver si besoin. Il est également recommandé de le laver à la main à chaque fois que vous remplacez le filtre à charbon actif.</p>
<p>Quand dois-je nettoyer le capteur de poussière du SensorPod™ ?</p>	<p>Pour optimiser l'exactitude des relevés de la qualité de l'air, nous vous conseillons de nettoyer la surface du capteur de poussière tous les mois ou une fois tous les deux mois.</p>
<p>Le purificateur ne s'allume pas.</p>	<p>Vérifiez que le cordon d'alimentation est bien branché à la prise secteur et au purificateur. Vérifiez si la prise fonctionne en y branchant une lampe ou un appareil en état de marche situé à proximité.</p> <p>Vérifiez que le filtre HEPA est installé correctement dans le logement du filtre.</p> <p>Veillez nous contacter si vous n'arrivez toujours pas à faire fonctionner le purificateur. (page 53).</p>

FAQ ET DÉPANNAGE

<p>Le purificateur ne se met pas en mode AUTO. ou Les indicateurs de qualité d'air ne fonctionnent pas. ou L'indicateur de signal du capteur du purificateur clignote.</p>	<p>Commencez par vérifier que le SensorPod™ est branché et que son indicateur lumineux est allumé mais ne clignote pas.</p> <p>Ensuite, vérifiez qu'il se trouve à portée du purificateur (pas plus de 15 m).</p> <p>Si c'est le cas mais que la connexion n'est pas rétablie, consultez les instructions ci-dessous sur la façon de rétablir la connexion au SensorPod™.</p>
<p>J'ai perdu mon SensorPod™!</p>	<p>Ne vous inquiétez pas ! Veuillez contacter notre équipe du service clientèle pour commander un nouveau SensorPod™. Suivez les instructions simples ci-dessous pour associer votre nouveau SensorPod™ à votre purificateur d'air existant.</p>

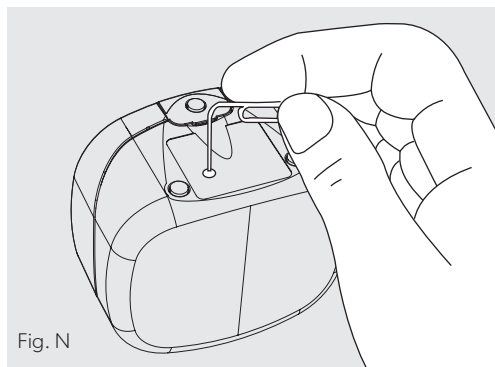
Connexion du SensorPod™ au purificateur

Le SensorPod™ communique avec le purificateur au moyen de signaux de radiofréquence, et lui est connecté sur la chaîne de production afin d'être prêt à l'emploi dès que vous le déballez. Dans les rares cas où le signal est interrompu, l'indicateur lumineux du capteur du purificateur se met à clignoter. Vous pouvez rétablir la connexion en suivant les quelques étapes simples suivantes :

1. Débranchez le SensorPod™.
2. Appuyez sur la touche marche/arrêt du purificateur et **MAINTENEZ-LA** enfoncée pendant 3 secondes ; vous devriez entendre deux carillons.
3. Branchez le SensorPod™ et, à l'aide d'un objet doté d'une petite pointe (trombone), appuyez sur la touche de connexion située sous le SensorPod™ et

MAINTENEZ-LA enfoncée pendant 5 à 7 secondes (Fig. N).

4. La connexion est établie lorsque l'indicateur lumineux du capteur du purificateur est allumé mais ne clignote pas et que les indicateurs de qualité d'air sont allumés.



GARANTIE

Le fonctionnement de cet appareil est garanti pendant deux ans à partir de la date d'achat, sous réserve d'un usage normal. Pendant la période de garantie, ACCO décidera, à son gré, de réparer ou de remplacer gratuitement l'appareil défectueux. Les défauts dus à un usage abusif ou un usage à des fins non appropriées ne sont pas couverts par cette garantie. Une preuve de la date d'achat sera exigée. Les réparations ou modifications effectuées par des personnes non autorisées par ACCO annuleront la garantie. Notre objectif est d'assurer le bon fonctionnement de nos produits conformément aux spécifications précisées. Cette garantie ne compromet pas les droits légaux des consommateurs au titre de la législation nationale en vigueur régissant la vente des biens de consommation.

ASSISTANCE

Merci d'accueillir TruSens™ chez vous. Nos clients sont au cœur de nos préoccupations et nous nous efforçons de créer des produits adaptés à votre mode de vie. Si vous avez des questions ou des commentaires, n'hésitez pas à nous contacter !

Rendez-vous sur notre site Web à www.leitz.com/trusens

Envoyez-nous un e-mail à sav@vmb.fr

Appelez-nous à **03 80 68 60 32** ou **03 80 68 60 30**

Pour enregistrer et activer votre garantie, rendez-vous sur www.leitz.com/register

Pour la Belgique et le Luxembourg :

Envoyez-nous un e-mail à CSD.sint-niklaas@acco.com

Appelez-nous à **+32 (0)3 7603311**

TruSens™

Welkom in schone lucht met TruSens. Bedankt dat we u op uw weg naar welzijn mogen begeleiden.

De lucht die we in een ruimte inademen, moet tot in de laatste hoek van die ruimte schoon zijn. TruSens SensorPod™, PureDirect™-technologie en 360°-filtering zorgen ervoor dat de lucht in de hele ruimte schoner is.

VEILIGHEIDSINFORMATIE

LEES DEZE INSTRUCTIES EN BEWAAR ZE

Haal de stekker van het apparaat uit het stopcontact voordat u filters of de uv-c-stralingsbron vervangt, of wanneer u het apparaat niet gebruikt.



WAARSCHUWING: Om het risico van brand of elektrische schok te verminderen, dient u deze luchtreiniger niet te gebruiken met een solid-state-toerentalregelaar. Gebruik de luchtreiniger niet als het snoer of de stekker beschadigd is of de afdekplaat van het stopcontact loszit. Als het netsnoer beschadigd is, dient dit te worden vervangen door de fabrikant, diens vertegenwoordiger voor reparatiewerkzaamheden of voldoende gekwalificeerde personen om gevaarlijke situaties te voorkomen. Laat het snoer niet onder vloerkleden, tapijten, lopers of vergelijkbare vloerbekleding lopen. Laat het snoer niet onder meubels of andere apparatuur lopen. Houd het snoer uit de buurt van plekken waar veel mensen lopen of samenkomen, en waar ze erover kunnen struikelen.



WAARSCHUWING: Wanneer direct wordt gekeken in het licht dat afkomstig is van de uv-c-stralingsbron van dit apparaat, kan dit huid- of oogletsel veroorzaken. Bij ondoelmatig gebruik van het apparaat of beschadiging van de behuizing kan gevaarlijke uv-c-straling ontsnappen. Uv-c-straling kan, zelfs in kleine hoeveelheden, schade aan de ogen en huid veroorzaken. Haal altijd de stekker uit het stopcontact voordat u de lamp vervangt of onderhoud uitvoert. Vervang de uv-c-stralingsbron door item 2415105, vervaardigd door ACCO Brands.

- Verwijder vóór gebruik alle verpakking, met inbegrip van de zak om het filter.
- Apparatuur die duidelijk beschadigd is, mag niet worden gebruikt.
- Dit apparaat mag alleen worden aangesloten op een stopcontact dat geschikt is voor de meegeleverde stekker en de spanningswaarde die op het product staat aangegeven.
- Plaats de luchtreiniger in de buurt van een stopcontact en gebruik geen verlengsnoeren.
- Dit apparaat mag worden gebruikt door kinderen vanaf 8 jaar en door personen met verminderde lichamelijke, zintuiglijke of mentale functies, of met onvoldoende ervaring en kennis, wanneer ze onder toezicht staan of geïnstrueerd worden over veilig gebruik van het product, en ze de bijbehorende gevaren begrijpen.
- Kinderen mogen niet met het apparaat spelen, het niet schoonmaken en er geen onderhoud aan uitvoeren.
- Vervang de uv-c-stralingsbron door het model dat in deze handleiding wordt genoemd.
- Probeer nooit zelf onderhoud of reparaties aan dit product uit te voeren.
- Gebruik de luchtreiniger uitsluitend met het meegeleverde netsnoer.
- Maak dit apparaat alleen schoon met een vochtige doek, gebruik geen oplos- of bleekmiddelen.
- Plaats het apparaat altijd op een vlak, stabiel oppervlak voordat u het gaat gebruiken.
- Houd de in- en uitlaatroosters vrij van blokkeringen of belemmeringen.
- Steek nooit uw vingers of andere voorwerpen in de luchtinlaat- of uitlaatroosters.

Bedrijfsfrequentie

Draadloos: 2462 MHz

Maximaal uitgezonden vermogen

(EIRP) Draadloos: 0 dBm

Antenneversterking

Draadloos: 2 Dbi

Hierbij verklaart ACCO UK Ltd dat de radioapparatuurmodellen Leitz TruSens Air Purifier Z-2000 en Z-3000 voldoen aan de richtlijn 2014/53/EU.

De volledige tekst van de verklaring van overeenkomst kan worden ingezien op:
<https://declarations.accobrands.com/>

Om te voldoen aan de vereisten voor blootstelling aan radiofrequente straling moet een afstand van minstens 20 cm tussen de gebruiker en het apparaat worden aangehouden.

Afgedankte elektrische en elektronische apparatuur (AEEA)

Wanneer uw product het einde van zijn nuttige levensduur heeft bereikt, wordt het beschouwd als AEEA. Daarom is het belangrijk u op het volgende te wijzen:

AEEA mag niet samen met het ongesorteerd stedelijk afval worden verwijderd. Deze apparatuur moet gescheiden worden ingezameld, op zodanige wijze dat de apparatuur kan worden gedemonteerd zodat de onderdelen en materialen ervan kunnen worden gerecycled, hergebruikt en teruggewonnen (als brandstof voor terugwinning van energie bij de

productie van elektriciteit).

Door gemeenten zijn openbare inzamelpunten opgezet voor het verzamelen van AEEA, waar u de apparatuur kosteloos kunt inleveren.

Lever uw AEEA in bij het inzamelpunt dat het dichtst bij uw huis of kantoor ligt.

Indien u geen inzamelpunt kunt vinden, kunt u uw afgedankte elektrische en elektronische apparatuur inleveren bij de winkel waar u het product hebt gekocht.

Wanneer u geen contact meer hebt met de winkel, neemt u contact op met ACCO voor hulp.

Recycling van AEEA is gericht op de bescherming van het milieu, de bescherming van de gezondheid van de mens, het behoud van grondstoffen, de verbetering van duurzame ontwikkeling, en een betere grondstoffenvoorziening in de Europese Unie. Dit wordt bereikt door het herwinnen van waardevolle secundaire grondstoffen en het verminderen van de hoeveelheid te verwijderen afval. U kunt bijdragen aan het succes van deze doelstellingen door uw AEEA in te leveren bij een daarvoor bestemd inzamelpunt.

Uw product is voorzien van het AEEA-symbool (een doorgekruiste verrijdbare afvalbak). Dit symbool geeft aan dat AEEA niet samen met ongesorteerd stedelijk afval mag worden verwijderd.

Leitz TruSens luchtreinigers zijn ook uitgerust met een UV-C zender. Na vervanging van dit artikel (tijdens de levensduur van het product) moeten deze ook worden geretourneerd en afgevoerd naar uw plaatselijke WEEE-inzamelingsfaciliteit.

Meer informatie en installatiehandleidingen / video's voor de UV-C-zender vindt u op www.leitz.com

BELANGRIJKSTE FUNCTIES



SensorPod™

Luchtkwaliteitsmeter op afstand waarmee u verzekerd bent van schonere lucht in de hele ruimte.



PureDirect™-technologie

Onafhankelijke labtesten bevestigen het: twee luchtstromen zijn beter dan één en zorgen voor een effectieve en comfortabelere luchtverdeling in de ruimte.



Informeert en past zich aan

De oplichtende ring met kleurcodering geeft de luchtkwaliteit aan in realtime.



360°-reiniging

Het HEPA-filter vangt lucht uit alle richtingen op en filtert schadelijke stoffen en VOC-gassen/geuren. Kiemen en bacteriën, die in het filter kunnen worden opgevangen, worden door uv-c-licht vernietigd.

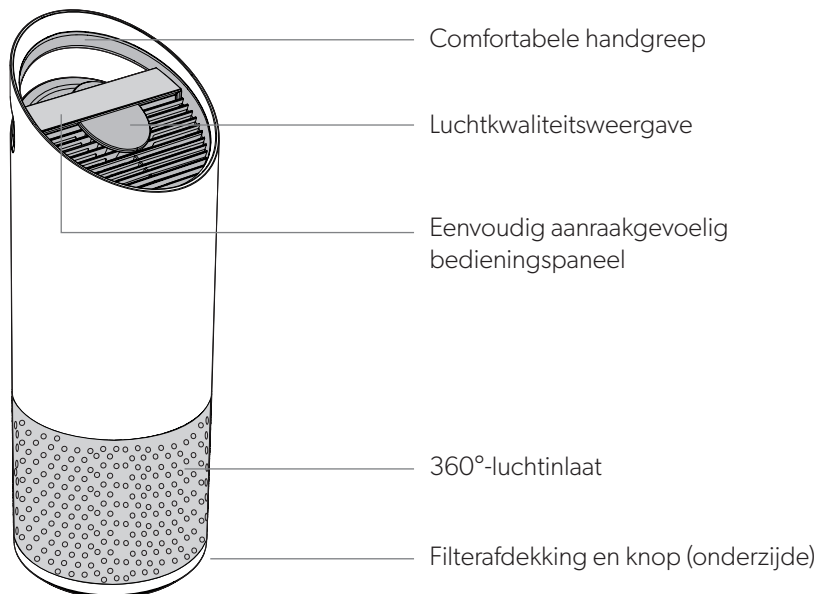


Doordachte uitvoering

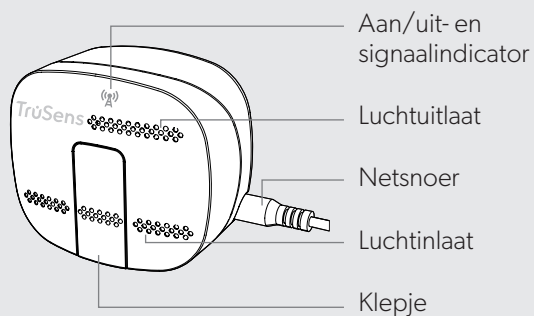
Uitzonderlijke functies, verpakt in een eigentijds design dat past in elke omgeving.

PRODUCT

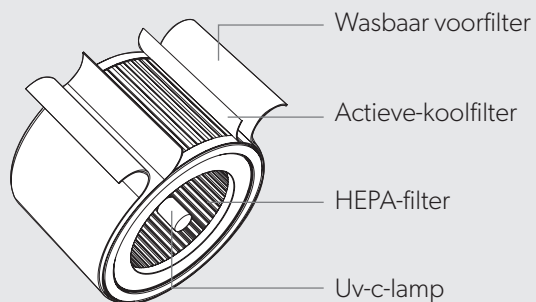
Luchtreiniger



SensorPod™



Filter en uv-c-lamp

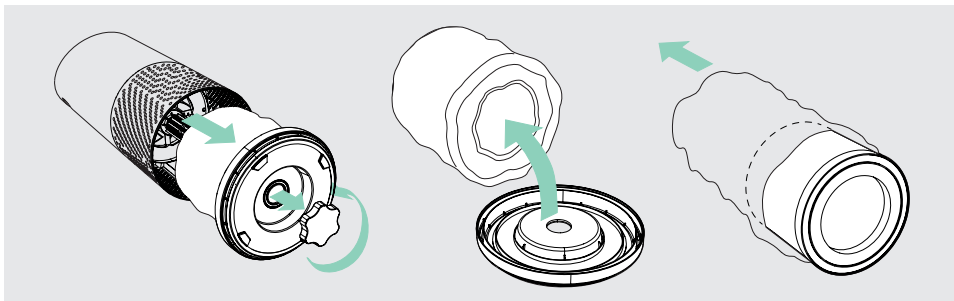


AAN DE SLAG



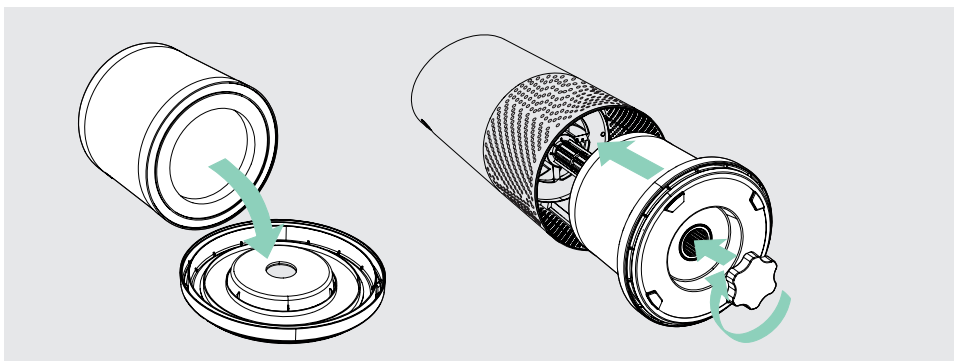
1. De plastic zak van het filter halen

Draai de afdekking aan de onderkant los en haal de plastic zak van het filter.



2. Het filter weer aanbrengen

Maak het filter vast aan de afdekking aan de onderkant en plaats het geheel weer in de luchtreiniger.



3. Instellen

Steek de stekker van de SensorPod in het stopcontact.

Plaats de SensorPod rechtop op een tafel of werkoppervlak aan de andere kant van de ruimte, binnen het zichtbereik van de luchtreiniger.

Steek de stekker van de luchtreiniger in het stopcontact en schakel de luchtreiniger in.

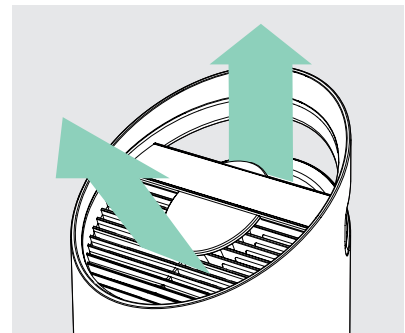
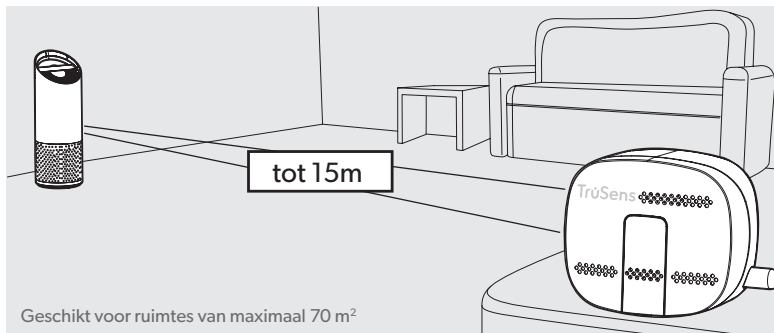
Plaats de luchtreiniger op een vlakke ondergrond, uit de buurt van obstakels.

- Lucht moet van alle kanten ongehinderd in de luchtreiniger kunnen stromen
- Plaats het apparaat niet in de buurt van woontextiel (zoals beddegoed en gordijnen), en warmte- en vochtbronnen.

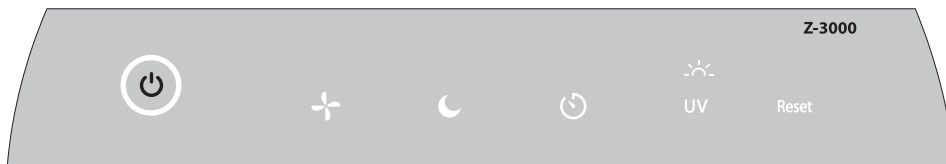
De signaalsterkte kan per locatie variëren. Raadpleeg pagina 69 bij een eventueel probleem met de werking.

4. Schonere lucht inademen!

De ventilatorsnelheid van de luchtreiniger wordt automatisch aangepast aan de luchtkwaliteitswaarden die door de SensorPod worden doorgegeven. Unieke PureDirect™-technologie zorgt voor schone lucht in de hele ruimte!



BEDIENINGSPANEEL



Aan/uit-knop



Ventilatorsnelheid instellen

Selecteer de ventilatorsnelheid of de automatische modus.

In de automatische modus wordt de ventilatorsnelheid automatisch ingesteld op basis van de luchtkwaliteitswaarden die door de SensorPod worden doorgegeven.

(De automatische modus is alleen beschikbaar als de luchtreiniger is gekoppeld met de SensorPod en een signaal ontvangt.)



Nachtmodus

De displayverlichting wordt uitgeschakeld, zonder gevolgen voor de werking van de luchtreiniger. Druk opnieuw op de knop om alle weergavefuncties te herstellen.




Timermodus

De luchtreiniger wordt na 2, 4, 8 of 12 uur automatisch uitgeschakeld.

Annuleer dit aftellen door op de knop te drukken totdat geen timerinstelling meer wordt weergegeven.



Uv-modus

De uv-c-lamp in het filtercompartiment is ingeschakeld als het symbool  wit oplicht. Het symbool  is rood wanneer de uv-c-lamp moet worden vervangen.

(Zie pagina 66 voor instructies.)

Reset

Filter- en uv-lampindicatoren opnieuw instellen

De HEPA-, Carbon- en UV-indicatoren lichten rood op wanneer het desbetreffende onderdeel moet worden vervangen. Als één indicator oplicht, houdt u de Reset-knop drie seconden ingedrukt om die indicator opnieuw in te stellen. Als twee of meer indicatoren oplichten, tikt u op de Reset-knop om de desbetreffende indicator te selecteren (de geselecteerde indicator gaat knipperen) en vervolgens houdt u de Reset-knop drie seconden ingedrukt om de indicator opnieuw in te stellen.

(Zie pagina 64-66 voor vervangingsinstructies. Stel na het vervangen van een filter de indicator opnieuw in volgens de bovenstaande instructies.)

LUCKTKWALITEITSWEEERGAVE

Realtime-feedback

De revolutionaire SensorPod™ evalueert de kwaliteit van de lucht door fijne zwevende deeltjes (PM_{2,5}) en grotere stofdeeltjes (PM₁₀) te meten. Hij berekent de algemene luchtkwaliteit aan de hand van een uniek algoritme dat reageert op echte toenames van de schadelijke stoffen, maar niet overreageert als iemand de ruimte binnenkomt of op de bank gaat zitten.

De luchtkwaliteitsweergave bestaat uit een oplichtende ring met kleurcodering die aangeeft of de luchtkwaliteit goed, matig of slecht is, en een nummerweergave voor meer gedetailleerde informatie.

In de automatische modus wordt de ventilatorsnelheid van de luchtreiniger automatisch aangepast op basis van deze luchtkwaliteitswaarden.

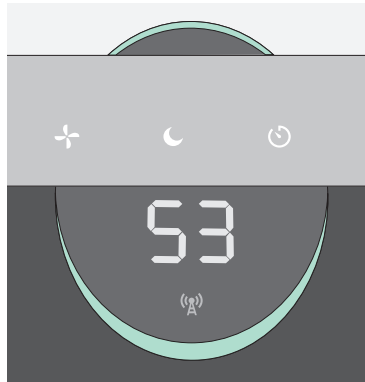
GOED

BLAUW | 0 - 50



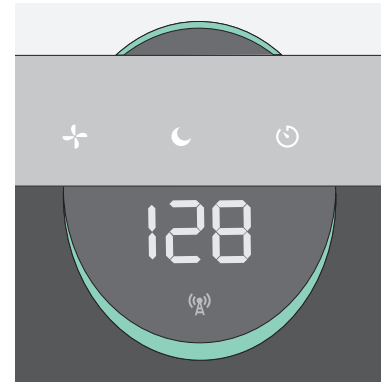
MATIG

GEEL | 50 - 100



SLECHT

ROOD | 100 - 500



SPECIFICATIES

Luchtinlaat	360°
Twee luchtvervangingen per uur	70 m ²
Luchttoevoerttechnologie	PureDirect™
Sensor	SensorPod™, werkt op een afstand van maximaal 15 m van de luchtreiniger
Ventilatorsnelheid	Fluistermodus, 1, 2, 3, Turbo
Reinigingsniveaus	Wasbaar voorfilter, actieve-koolfilter, HEPA-filter, uv-c-lamp
Timerinstellingen	2, 4, 8, 12 uur
Indicatoren filtervervangning	Carbon, HEPA, UV
Geluidsontwikkeling	32 - 66 dB
Afmetingen	263 x 263 x 726 mm
Gewicht	5,7 kg
Motortype	Gelijkstroommotor
Voedingsvereisten	220-240v 50/60H 0,5A
Stroomverbruik	68 W
Garantie	2 jaar

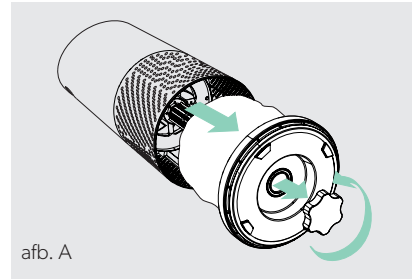
Vervangingsfilters en uv-c-lamp

3-in-1 HEPA-trommelfilter	2415110
Actieve-koolfilter (pak van 3)	2415109
Uv-c-lamp	2415111

VERZORGING EN ONDERHOUD

Het filtercompartment openen

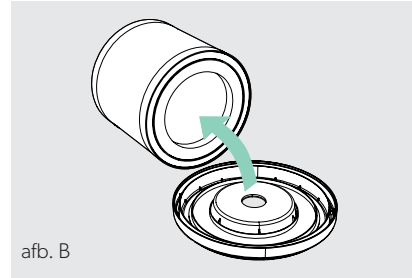
1. Schakel de luchtreiniger altijd uit met de aan/uitschakelaar en haal de stekker uit het stopcontact.
2. Zet het apparaat voorzichtig op de zijkant op de vloer, zodat de afdekking en knop van het filtercompartment toegankelijk zijn.
3. Draai de knop tegen de wijzers van de klok in en verwijder de afdekking van het filtercompartment en het 360° HEPA-trommelfilter (afb. A).



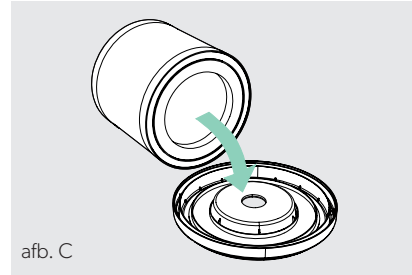
afb. A

HET HEPA-FILTER VERVANGEN

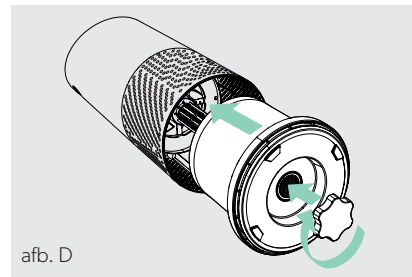
1. De HEPA-indicator licht rood op wanneer het volledige HEPA-trommelfilter moet worden vervangen.
2. Trek het HEPA-trommelfilter voorzichtig van de filterafdekking af (afb. B).
3. Breng het nieuwe HEPA-filter aan op de filterafdekking (afb. C).
4. Plaats de filterafdekking en het trommelfilter voorzichtig terug in het filtercompartment en op de schroefdraad, en draai de knop met de wijzers van de klok mee vast (afb. D).
5. Steek de stekker van de luchtreiniger in het stopcontact en schakel de luchtreiniger in. Druk op de Reset-knop tot de rode indicator voor het HEPA-filter uitgaat.



afb. B



afb. C



afb. D

Opmerking: het HEPA-trommelfilter (zie pag. 63) heeft 3 lagen: wasbaar voorfilter, actieve-koolfilter en HEPA-filter.

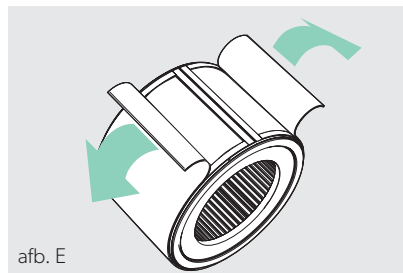
HET ACTIEVE-KOOLFILTER VERVANGEN

1. De indicator voor het actieve-koolfilter licht rood op wanneer het actieve-koolfilter moet worden vervangen.
2. Haal het voorfilter voorzichtig uit de bevestigingsstrips (afb. E).
3. Haal het gebruikte actieve-koolfilter voorzichtig uit de bevestigingsstrips (afb. F).
4. Wikkel een nieuw actieve-koolfilter om de filtertrommel en bevestig het aan de bevestigingsstrips (afb. G).
5. Wikkel het voorfilter om het actieve-koolfilter en bevestig het aan de bevestigingsstrips (afb. H).
6. Schakel de luchtreiniger in en druk op de Reset-knop tot de rode indicator voor het actieve-koolfilter uitgaat.

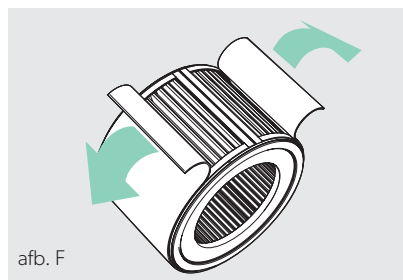
Opmerking: het pak met 3 actieve-koolfilters (zie pag. 63) is alleen genoeg voor de 3 vervangingen van de actieve-koolfilters die nodig zijn tussen elke vervanging van het HEPA-trommelfilter (zie pag. 64).

HET VOORFILTER WASSEN

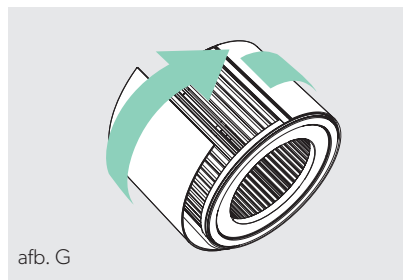
1. U wordt aangeraden het voorfilter elke maand visueel te controleren, en het zo nodig te wassen. Het voorfilter moet echter op zijn minst bij elke vervanging van het actieve-koolfilter met de hand worden gewassen.
2. Haal het wasbare voorfilter voorzichtig uit de bevestigingsstrips (afb. E).
3. Spoel het voorfilter voorzichtig af onder stromend water en laat het aan de lucht drogen voordat u het weer aanbrengt.
4. Wikkel het voorfilter om de filtertrommel en bevestig het aan de bevestigingsstrips (afb. H).



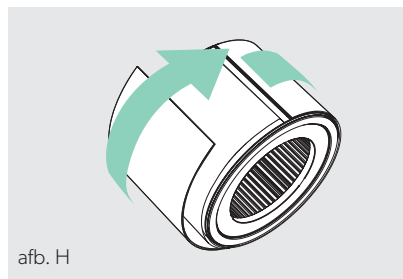
afb. E



afb. F




afb. G

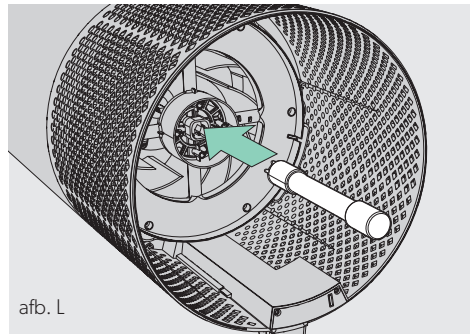
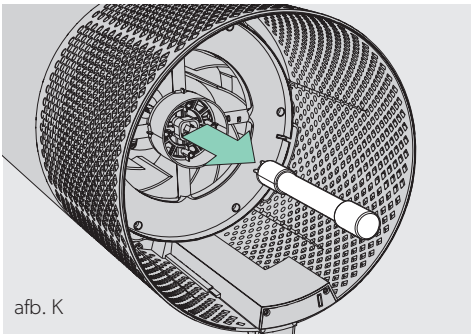
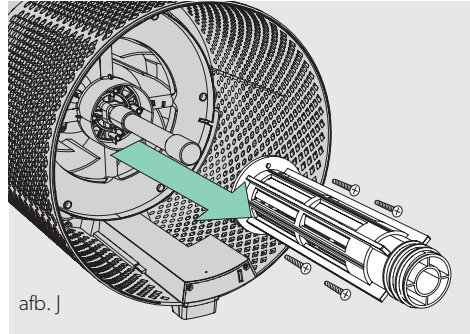
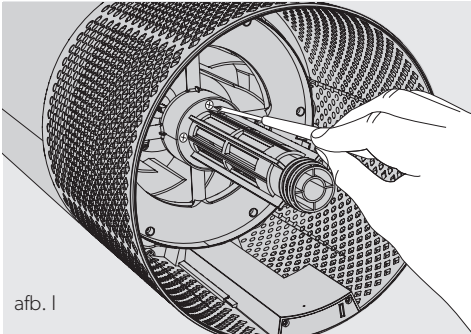


afb. H

DE UV-C-LAMP VERVANGEN

1. De indicator  is rood wanneer de uv-c-lamp moet worden vervangen.
2. Verwijder de HEPA-filtertrommel (afb. A) en verwijder met een schroevendraaier de vier schroeven uit de behuizing van de uv-c-lamp (afb. I).
3. Verwijder voorzichtig de behuizing van de uv-c-lamp (afb. J).
4. Trek de uv-c-lamp uit de fitting in de luchtreiniger (afb. K).
5. Steek de nieuwe uv-c-lamp (zie pag. 63) rechtstreeks in de fitting (afb. L).
6. Breng de behuizing van de uv-c-lamp weer aan en draai de schroeven vast met een schroevendraaier.
7. Schakel de luchtreiniger in en druk op de Reset-knop tot de indicator wit wordt.

Opmerking: Gooi de uv-c-zender bij vervanging weg bij uw plaatselijke WEEE-inzamelpunt.

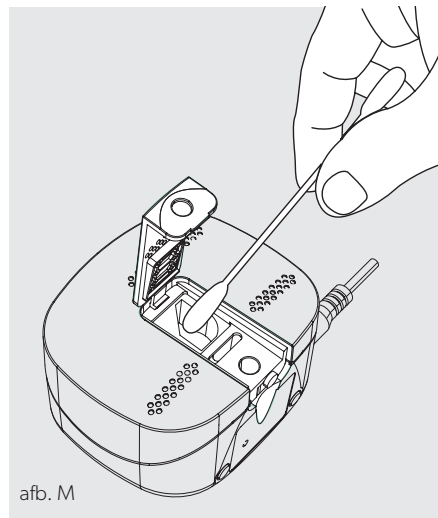


DE SENSORPOD™ REINIGEN

De luchtkwaliteitssensor reinigen

De SensorPod™ is een infraroodsensor. Het stofsensordcompartment moet om de 1-2 maanden worden gereinigd om te voorkomen dat de meetnauwkeurigheid wordt beïnvloed door stof of vuildeeltjes.

1. Schakel de SensorPod uit door de stekker uit het stopcontact te halen.
2. Open het klepje aan de voorkant door dit onder een hoek van 90° omhoog te klappen.
3. Reinig de lens en het inlaatbereik van de stofsensord met een vochtig wattenstaafje (afb. M).
4. Veeg achtergebleven vocht weg met een droog wattenstaafje.
5. Sluit het klepje door dit te laten zakken en schuif het vast tot u een klik hoort.



VEELGESTELDE VRAGEN EN PROBLEEMOPLOSSING

<p>Waar moet ik de SensorPod™ neerzetten?</p>	<p>Op een willekeurige plek in de ruimte waarvan u de luchtkwaliteit wilt meten. Voor de beste resultaten plaatst u de SensorPod™ op een werkoppervlak of tafel op minder dan 15 meter afstand van de luchtreiniger, binnen het zichtbereik van de luchtreiniger. In de automatische modus verspreidt de luchtreiniger schone lucht tot de SensorPod™ een aanvaardbare luchtkwaliteit vaststelt.</p>
<p>Hoe vaak moet ik de filters vervangen?</p>	<p>Dat is makkelijk! De vervangingsindicatoren op de luchtreiniger geven aan wanneer u het actieve-koolfilter, het HEPA-filter of de uv-c-lamp moet vervangen. Het actieve-koolfilter moet ongeveer om de 3-4 maanden worden vervangen, het HEPA-filter om de 12-15 maanden en de uv-c-lamp om de 1-3 jaar.</p>
<p>Hoe vaak moet ik het voorfilter wassen?</p>	<p>Het voorfilter vangt grotere vuildeeltjes op en zorgt er zo voor dat de andere filters efficiënt blijven werken. U wordt daarom aangeraden het voorfilter elke maand visueel te controleren en het zo nodig te wassen. Het is ook een goede gewoonte om het voorfilter bij elke vervanging van het actieve-koolfilter te wassen.</p>
<p>Hoe vaak moet ik de stofsensor in de SensorPod reinigen?</p>	<p>Voor een zo groot mogelijke meetnauwkeurigheid raden wij u aan het oppervlak van de stofsensor om de 1-2 maanden te reinigen.</p>
<p>De luchtreiniger wordt niet ingeschakeld.</p>	<p>Controleer of het netsnoer goed in het stopcontact zit en goed op de luchtreiniger is aangesloten. Ga na of het stopcontact goed werkt door de stekker van een ander apparaat of een lamp in het stopcontact te steken.</p> <p>Controleer of het HEPA-filter goed in het filtercompartiment is geïnstalleerd.</p> <p>Neem contact met ons op als het probleem zich blijft voordoen (pag. 70).</p>

FAQ & TROUBLESHOOTING

<p>De luchtreiniger gaat niet over op de automatische modus. of De luchtkwaliteitsindicatoren zijn uitgeschakeld. of De sensorsignaalindicator van de luchtreiniger knippert.</p>	<p>Controleer eerst of de stekker van de SensorPod in het stopcontact zit en dat de indicator ervan ononderbroken oplicht.</p> <p>Controleer vervolgens of de SensorPod zich binnen het bereik van de luchtreiniger bevindt (tot 15 m).</p> <p>Als beide in orde zijn en er wordt nog steeds geen verbinding tot stand gebracht, volgt u de onderstaande instructies voor het herstellen van de verbinding.</p>
<p>Ik ben mijn SensorPod kwijt!</p>	<p>Geen zorgen. U kunt bij onze klantendienst een vervangings-SensorPod bestellen. Volg daarna de onderstaande instructies om de vervangings-SensorPod te koppelen met de luchtreiniger!</p>

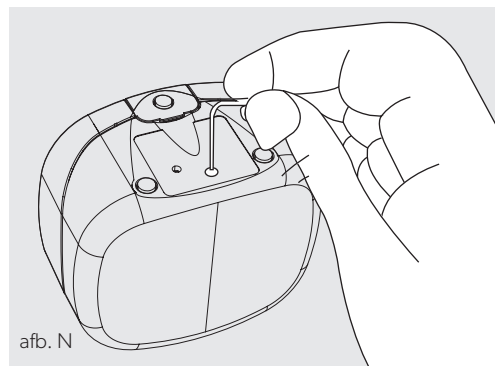
De SensorPod™ en luchtreiniger koppelen

De SensorPod communiceert met de luchtreiniger via radiofrequentiesignalen. Het apparaat is in de fabriek met de luchtreiniger gekoppeld en is direct na het uitpakken klaar voor gebruik. In het zeldzame geval dat het signaal wordt onderbroken, knippert de sensorsignaalindicator van de luchtreiniger. U kunt de verbinding met een paar stappen weer tot stand brengen.

1. Haal de stekker van de SensorPod uit het stopcontact.
2. Houd de aan/uit-knop op de luchtreiniger 3 seconden **INGEDRUKT** tot u twee geluidssignalen hoort.
3. Steek de stekker van de SensorPod weer in het stopcontact en houd met een paperclip of een vergelijkbaar fijn voorwerp de koppelingsknop aan de onderkant van de SensorPod 5-7 seconden

ingedrukt (afb. N).

4. De verbinding is tot stand gebracht wanneer de sensorsignaalindicator stopt met knipperen en ononderbroken oplicht, en de luchtkwaliteitsindicatoren worden ingeschakeld.



GARANTIE

Het gebruik van deze machine is gegarandeerd voor twee jaar vanaf de datum van aankoop, uitgaand van normaal gebruik. Binnen de garantieperiode zal ACCO naar eigen oordeel de defecte machine kosteloos repareren of vervangen. Defecten die te wijten zijn aan verkeerd gebruik of gebruik voor ongeschikte doeleinden, vallen niet onder de garantie. Bewijs van de datum van aankoop is vereist. De garantie vervalt wanneer er reparaties of veranderingen worden uitgevoerd door personen die niet door ACCO zijn bevoegd. Het is ons doel ervoor te zorgen dat onze producten functioneren volgens de vermelde specificaties. Deze garantie maakt geen inbreuk op de wettelijke rechten van consumenten onder de geldende nationale wetgeving met betrekking tot de verkoop van goederen.

KLANTENDIENST

Hartelijk dank dat u TruSens™ hebt aangeschaft. Onze klanten staan centraal bij onze activiteiten en wij streven ernaar producten te ontwikkelen die bij uw levensstijl passen. Aarzel niet om bij vragen of suggesties contact met ons op te nemen!

Bezoek onze website op www.leitz.com/trusens

Stuur ons een email via INFONL@acco.com

Bel ons op **0348-415084**

Ga naar www.leitz.com/register om uw garantie te registreren en te activeren

TruSens™

Benvenuti nel mondo dell'aria pulita con TruSens. Vi ringraziamo per averci consentito di accompagnarvi lungo il percorso che conduce al benessere.

L'aria che respiriamo dovrebbe essere pulita, a prescindere dalla posizione in cui ci troviamo in una stanza. SensorPod™ di TrueSens, la tecnologia PureDirect™ e il sistema di filtrazione a 360 gradi assicurano che l'aria sia pulita in tutta la stanza.

INFORMAZIONI SULLA SICUREZZA

LEGGERE E CONSERVARE QUESTE ISTRUZIONI

Scollegare la spina o l'apparecchio dalla fonte di alimentazione elettrica prima di sostituire i filtri, l'emettitore UV-C oppure quando non si usa il purificatore d'aria.



ATTENZIONE: Per ridurre il rischio di incendio o folgorazione, non utilizzare questo purificatore d'aria con un regolatore di velocità a stato solido.

Non utilizzare il purificatore d'aria se la spina o il cavo di alimentazione risultano danneggiati oppure la presa elettrica si è allentata. Eventuali cavi di alimentazione danneggiati vanno sostituiti dal produttore, un suo rappresentante autorizzato a eseguire interventi di assistenza tecnica o altra persona adeguatamente qualificata al fine di evitare pericoli. Non far passare il cavo sotto la moquette, tappeti, passatoio o arredi simili. Non far passare il cavo sotto mobili o elettrodomestici. Sistemare il cavo lontano dalle aree di passaggio e in luoghi in cui non può costituire un pericolo di inciampo.



ATTENZIONE Non fissare mai direttamente la luce proveniente dall'emettitore UV-C in quanto può provocare danni agli occhi e alla pelle. L'uso improprio del purificatore d'aria oppure eventuali danni arrecati all'alloggiamento possono causare la fuoriuscita di pericolose radiazioni UV-C. Le radiazioni UV-C, anche in dosi minime, possono causare danni agli occhi e alla pelle. Scollegare sempre l'unità dalla fonte di alimentazione elettrica prima di cambiare la lampadina UV o effettuare interventi di manutenzione. Sostituire l'emettitore UV-C con l'articolo 2415108 (per Z-2000) o 2415111 (per Z-3000) prodotto da ACCO Brands.

- Rimuovere tutto il materiale d'imballaggio, compreso il sacchetto che copre il filtro, prima dell'uso.
- Non utilizzare gli apparecchi che risultano chiaramente danneggiati.
- Questo apparecchio va collegato solo a una presa elettrica corrispondente al tipo di spina fornita e alle specifiche elettriche riportate sulla targhetta dei dati.
- Collocare il purificatore d'aria nelle vicinanze di una presa elettrica e non utilizzare prolunghe.
- Questo purificatore d'aria può essere utilizzato da bambini di età superiore agli 8 anni e da persone con ridotte capacità fisiche, sensoriali o mentali o con mancanza di esperienza e conoscenza, a condizione che siano sotto sorveglianza o abbiano ricevuto istruzioni riguardanti l'uso dell'apparecchio in maniera sicura e ne comprendano i relativi pericoli.
- Ai bambini non è consentito giocare con il purificatore d'aria, pulirlo o cercare di provvederne alla manutenzione.
- Sostituire l'emettitore di UV-C con il modello specificato nel presente manuale.
- Si prega di non tentare di effettuare personalmente interventi di manutenzione o riparazione.
- Utilizzare il purificatore d'aria e SensorPod™ solo con il cavo di alimentazione fornito.
- Pulire questo apparecchio solo con un panno umido. Non utilizzare solventi o candeggina.
- Prima dell'utilizzo, controllare sempre che l'apparecchio sia posto su una superficie stabile e piana.
- Non bloccare od ostruire le fessure di aspirazione o uscita dell'aria.
- Non inserire le dita o altri oggetti nelle fessure di aspirazione o uscita dell'aria.
- Anche quando il purificatore d'aria si trova in modalità standby, il sensore SensorPod™ continua a trasmettere un segnale/dati.

Frequenza operativa

Wireless: 2462 MHz

Potenza di trasmissione max.

(EIRP) Wireless: 0 dBm

Guadagno antenna

Wireless: 2 Dbi

ACCO UK Ltd dichiara con la presente che i modelli di purificatori d'aria Leitz TruSens Z-2000/Z-3000 (apparecchiature radio) sono conformi alla direttiva 2014/53/UE.

Il testo integrale della dichiarazione di conformità UE è disponibile all'indirizzo web riportato di seguito:
<https://declarations.accobrand.com/>

Mantenere una distanza minima di 20 cm tra il corpo dell'utente e il dispositivo per rispettare i requisiti in materia di esposizione alle radiofrequenze.

Residuos de aparatos eléctricos y electrónicos (RAEE)

Al termine della loro vita utile, i prodotti acquistati verranno considerati rifiuti di apparecchiature elettriche ed elettroniche (RAEE) ed è pertanto importante prendere atto di quanto di seguito riportato.

I RAEE non devono essere smaltiti come rifiuti urbani misti ma vanno raccolti separatamente in modo tale da essere smontati per consentire il riciclaggio, riutilizzo e recupero (come carburante ai fini del recupero di energia nella produzione di energia elettrica) dei relativi componenti e materiali.

Punti pubblici di raccolta sono stati predisposti dalle amministrazioni comunali per la raccolta gratuita dei RAEE.

I RAEE vanno smaltiti presso il centro di raccolta più vicino all'abitazione o all'ufficio dell'utente.

Qualora si incontrino difficoltà nel trovare un centro di raccolta abilitato al ricevimento dei RAEE, il rivenditore al dettaglio presso cui si è acquistato il prodotto dovrebbe accettare tali rifiuti.

Nel caso in cui l'utente non si sia più in contatto con il proprio rivenditore, è possibile rivolgersi ad ACCO per ottenere informazioni a riguardo.

Il riciclaggio dei RAEE è volto a proteggere l'ambiente e la salute umana, salvaguardare le materie prime, migliorare lo sviluppo sostenibile e garantire un migliore approvvigionamento di materie prime nel territorio dell'Unione europea. Tali obiettivi potranno essere conseguiti recuperando materie prime secondarie di valore e riducendo il volume dei rifiuti da smaltire. I consumatori possono contribuire al raggiungimento di questi obiettivi provvedendo a smaltire i propri RAEE presso gli appositi centri di raccolta.

Sui prodotti acquistati è riportato il simbolo RAEE (cassonetto barrato). Tale simbolo indica che i RAEE non vanno smaltiti come rifiuti urbani misti.

I depuratori d'aria Leitz TruSens sono inoltre dotati di un emettitore UV-C. In caso di sostituzione di questo articolo (durante il ciclo di vita del prodotto), questi devono anche essere restituiti e smaltiti presso il centro di raccolta RAEE locale.

Ulteriori informazioni e guide / video di installazione per l'emettitore UV-C sono disponibili sul sito www.leitz.com

PRINCIPALI CARATTERISTICHE



SensorPod™

ensore remoto della qualità dell'aria per assicurare aria pulita laddove necessario.



Tecnologia PureDirect™

Test condotti da laboratori indipendenti confermano che due flussi d'aria sono meglio di uno e muovono l'aria in maniera efficace e piacevole nella stanza.



Informazioni e regolazione

L'anello illuminato con codice a colori fornisce informazioni aggiuntive indicando lo stato di qualità dell'aria in tempo reale.



Purificazione a 360°

Il filtro HEPA cattura gli inquinanti atmosferici e i gas/gli odori dei composti organici volatili (VOC) provenienti da tutte le direzioni. La luce UV-C uccide i germi e i batteri intrappolati nel filtro.

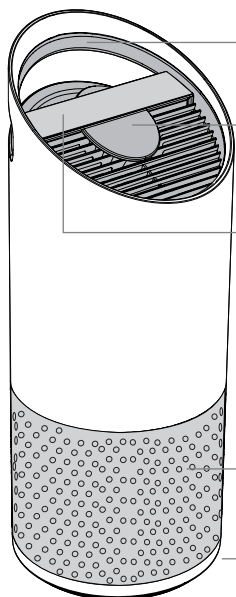


Attenta esecuzione

Straordinaria funzionalità avvolta in un design contemporaneo adatto per qualsiasi ambiente.

SINTESI DEL PRODOTTO

Purificatore d'aria



Maniglia per un facile trasporto

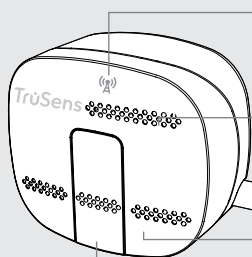
Indicazione della qualità dell'aria

Pannello di controllo con pulsanti a sfioramento

Aspirazione dell'aria a 360°

Coperchio del filtro e manopola (parte sottostante)

SensorPod™



Indicatore di accensione e di segnale

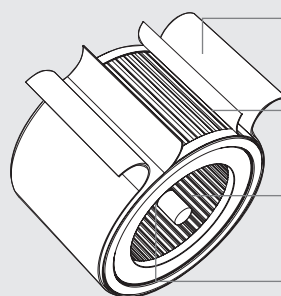
Uscita aria

Cavo di alimentazione

Ingresso aria

Coperchio per facile accesso

Filtro e lampada UV-C



Pre-filtro lavabile

Filtro a carbone attivo

Filtro HEPA

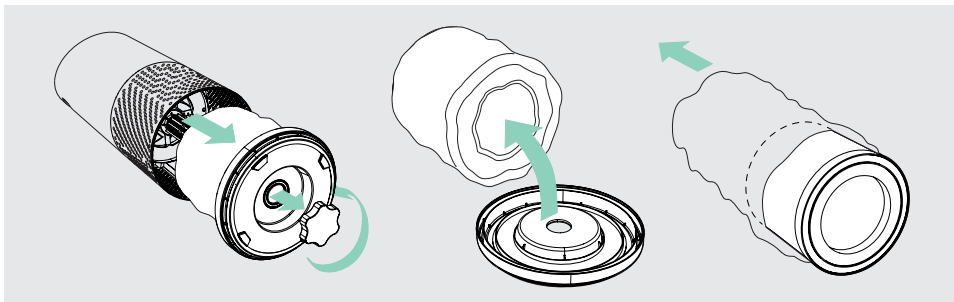
Lampada UV-C

INSTALLAZIONE



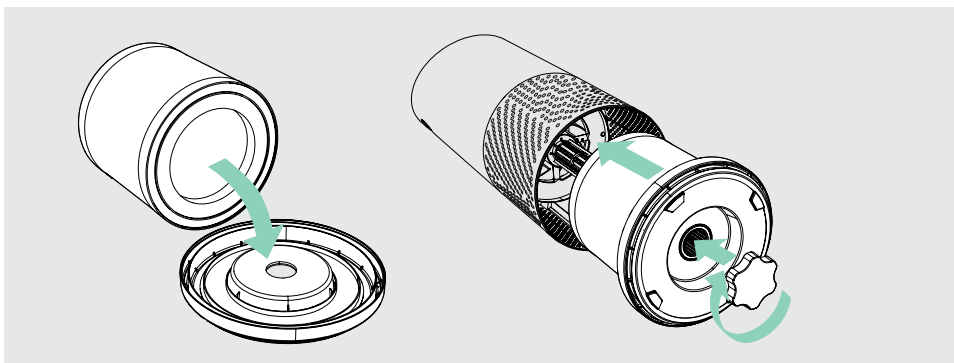
1. Rimuovere il sacchetto di plastica dal filtro

Svitare la base dell'unità e rimuovere il sacchetto di plastica dal filtro.



2. Riattaccare il filtro

Fissare il filtro alla base dell'unità e rimetterlo all'interno del purificatore d'aria.



3. Preparazione

Collegare il sensore SensorPod™ alla presa di corrente.

Collocare il sensore SensorPod™ su un tavolo o piano di lavoro al lato opposto della stanza in linea di vista con il purificatore.

Collegare la spina del purificatore d'aria alla presa di corrente e accendere.

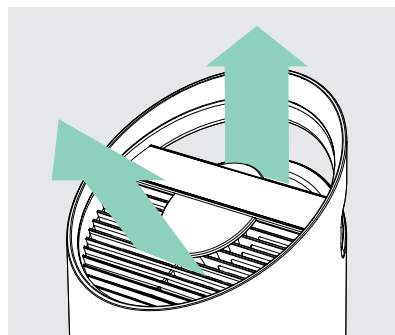
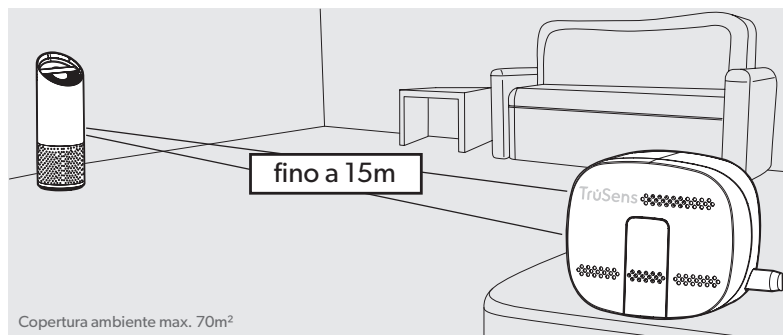
Collocare l'apparecchio su una superficie piana, priva di eventuali ostruzioni.

- dove l'aria possa entrare liberamente nel purificatore da tutte le parti
- evitando elementi di arredo come tende e biancheria da letto nonché fonti di calore o umidità.

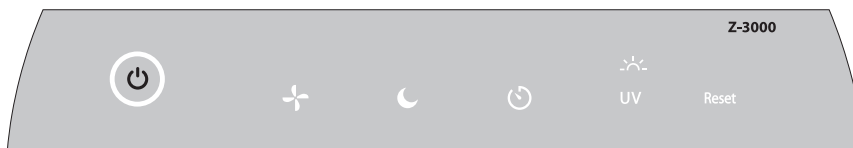
La potenza del segnale può variare a seconda della posizione. Nelle rare occasioni in cui non dovesse funzionare, vedere a pag. 86.

4. Iniziare a vivere in un ambiente con aria pulita!

Il purificatore d'aria regolerà automaticamente la velocità della ventola in base al valore della qualità dell'aria rilevato dal sensore SensorPod™ e la tecnologia PureDirect™ fornirà aria purificata in tutta la stanza!



PANNELLO DI CONTROLLO



Pulsante di accensione



Impostazioni velocità della ventola

Selezionare la velocità della ventola o la modalità AUTOMATICA.

In modalità AUTOMATICA, il purificatore d'aria regola automaticamente la velocità della ventola in base al valore della qualità dell'aria rilevato dal sensore SensorPod™.

(La modalità AUTOMATICA è disponibile solo quando il purificatore d'aria è accoppiato al sensore SensorPod™ e riceve un segnale).



Modalità notturna

L'illuminazione del display si spegne, per l'uso durante il sonno, senza interferire con l'efficiente funzionamento del purificatore d'aria.

Basta premere di nuovo il pulsante per far riapparire tutte le funzioni del display.



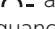

Modalità timer

Il purificatore d'aria si spegnerà automaticamente dopo 2, 4, 8 o 12 ore.

Per annullare questo conto alla rovescia, premere semplicemente il pulsante fino a quando non è più visualizzata alcuna impostazione del timer.



Modalità UV

La lampada UV-C della camera del filtro del purificatore d'aria è accesa quando il simbolo  appare in bianco. Il simbolo  si illumina di rosso quando è il momento di sostituire la lampada UV-C.

(Vedere a pag. 83 per le istruzioni).

Reset

Reset delle spie dei filtri e della lampada UV-C

Le spie "HEPA", "Carbon" e "UV" si illuminano di rosso quando è il momento di sostituire i filtri o la lampada. Quando 1 spia è illuminata, mantenere semplicemente premuto il pulsante Reset per 3 secondi per azzerarla. Quando sono illuminate 2 o più spie, premere il pulsante Reset per selezionare la spia appropriata (la spia selezionata lampeggerà) prima di mantenerlo premuto per 3 secondi per azzerare la spia).

(Vedere a pagg. 81-83 per le istruzioni riguardanti la sostituzione dei filtri e della lampada. Seguire le istruzioni riguardanti l'azzeramento delle spie riportate sopra dopo la sostituzione di un filtro).

INDICAZIONE DELLA QUALITÀ DELL'ARIA

Feedback in tempo reale

Il rivoluzionario sensore SensorPod™ valuta lo stato della qualità dell'aria misurando particolato sia fine (PM2,5) che grossolano (PM10). Calcola la qualità complessiva dell'aria utilizzando un algoritmo proprietario che reagisce all'aumento effettivo della quantità di inquinanti atmosferici senza reagire in maniera eccessiva a persone che entrano nella stanza o che si siedono sul divano.

Le indicazioni illuminate codificate a colori comunicano lo stato di qualità dell'aria (buono, moderato o cattivo) e un valore numerico fornisce informazioni più dettagliate a riguardo.

Nella modalità AUTOMATICA, il purificatore d'aria regola automaticamente la velocità della ventola in risposta ai valori rilevati.

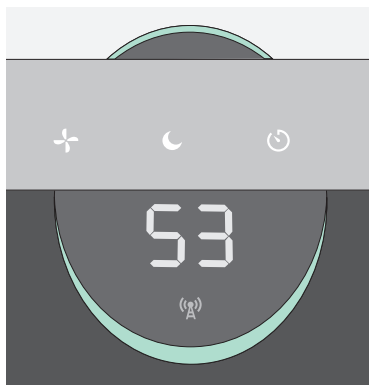
BUONO

BLU | 0 - 50



MODERATO

GIALLO | 50 - 100



CATTIVO

ROSSO | 100 - 500



SPECIFICHE

Ingresso aria	360°
Completo cambiamento dell'aria 2 volte all'ora	70 m ²
Tipologia di erogazione dell'aria	PureDirect™
Sensore	SensorPod™ funziona fino a 15 m di distanza dal purificatore d'aria
Impostazioni della velocità della ventola	Whisper, 1, 2, 3, Turbo
Livelli di purificazione	Pre-filtro lavabile, filtro a carbone attivo, HEPA, lampada UV-C
Impostazioni del timer	2, 4, 8, 12 ore
Spie sostituzione filtro	Carbon, HEPA, UV
Rumore	32 - 66 dB
Dimensioni	263 x 263 x 726 mm
Peso	5,7 kg
Tipologia motore	Motore CC
Requisiti di alimentazione	220-240 V 50 Hz/60 Hz 0,5 Amp
Consumo energetico	68 W
Garanzia	2 anni

Sostituzione dei filtri e della lampada UV-C

Filtro cilindrico HEPA 3-in-1	2415110
Filtro a carbone attivo (confezione da 3 filtri)	2415109
Lampada UV-C	2415111

CURA E MANUTENZIONE

Accesso alla camera del filtro

1. Spegnere sempre il purificatore d'aria utilizzando il pulsante d'accensione e staccando la spina dalla presa di corrente.
2. Appoggiare delicatamente l'unità orizzontalmente sul pavimento per esporre il coperchio della camera del filtro e la manopola.
3. Girare la manopola in senso antiorario e rimuovere il coperchio della camera del filtro e il filtro cilindrico HEPA a 360° (Fig. A).

SOSTITUZIONE DEL FILTRO HEPA

1. La spia del filtro HEPA si illumina di rosso quando è il momento di sostituire l'intero filtro cilindrico HEPA.
2. Rimuovere delicatamente il filtro cilindrico HEPA dal coperchio del filtro, cioè dalla posizione in cui è fissato (Fig. B).
3. Fissare il filtro di sostituzione HEPA al coperchio del filtro (Fig. C).
4. Inserire delicatamente il coperchio del filtro con attaccato il filtro cilindrico nella camera del filtro e nella filettatura e girare la manopola in senso orario fino a quando la manopola e il coperchio del filtro non siano ben avvitati (Fig. D).
5. Inserire la spina nella presa di corrente, accendere il purificatore d'aria e mantenere premuto il pulsante Reset fino a quando la spia del filtro HEPA illuminata di rosso non sia spenta.

N.B. - Il filtro cilindrico HEPA (vedere a pag. 80) è costituito da 3 strati: pre-filtro lavabile, filtro a carbone attivo e filtro HEPA.

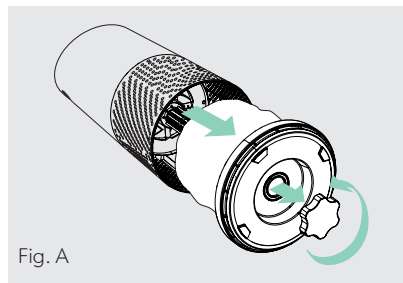


Fig. A

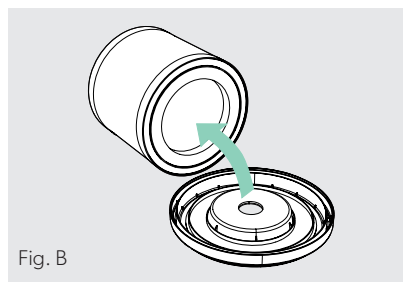


Fig. B

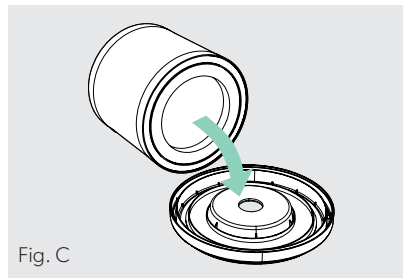


Fig. C

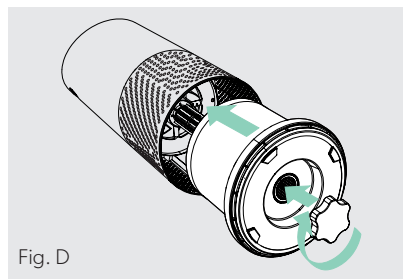


Fig. D

SOSTITUZIONE DEL FILTRO A CARBONE ATTIVO

1. La spia del filtro a carbone attivo si illumina di rosso quando è il momento di sostituirlo.
2. Staccare delicatamente il pre-filtro dalle strisce di fissaggio (Fig. E).
3. Staccare delicatamente lo strato di carbone utilizzato dalle strisce di fissaggio (Fig. F).
4. Avvolgere un nuovo strato di carbone intorno al filtro cilindrico e attaccare alle stesse strisce di fissaggio (Fig. G).
5. Avvolgere il pre-filtro intorno allo strato di carbone e attaccarlo alle strisce di fissaggio (Fig. H).
6. Dopo aver acceso il purificatore d'aria, mantenere premuto il pulsante Reset fino a quando la spia del filtro a carbone attivo illuminata di rosso non sia spenta.

N.B.: la confezione da 3 filtri a carbone attivo (vedere a pag. 80) consente di effettuare le 3 sostituzioni del filtro a carbone attivo richieste tra una sostituzione e l'altra del filtro cilindrico HEPA (vedere a pag. 81).

LAVAGGIO DEL PRE-FILTRO

1. Si consiglia di effettuare l'ispezione visiva del pre-filtro ogni mese e di pulirlo a seconda delle necessità. Occorre lavare a mano il pre-filtro almeno ogni volta che si sostituisce il filtro a carbone attivo.
2. Staccare delicatamente il pre-filtro lavabile dalle strisce di fissaggio (Fig. E).
3. Risciacquare delicatamente con acqua corrente – far asciugare il pre-filtro all'aria prima di rimetterlo.
4. Avvolgere il pre-filtro intorno al filtro cilindrico e attaccarlo alle strisce di fissaggio (Fig. H).

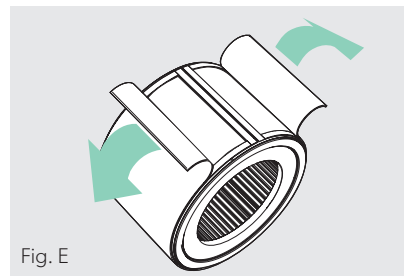


Fig. E

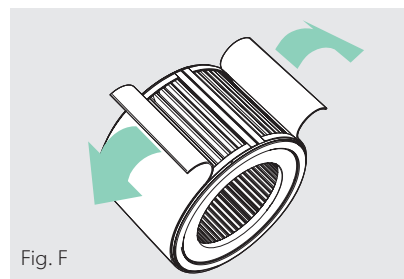


Fig. F

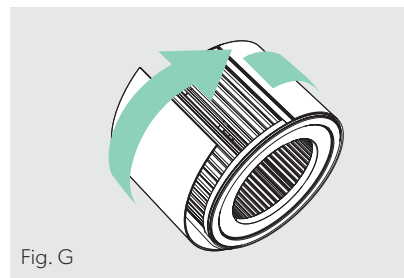


Fig. G

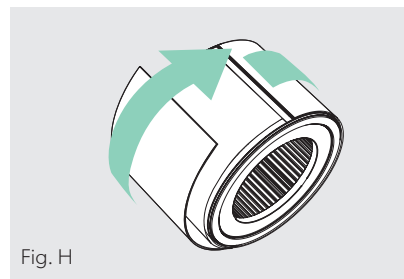




Fig. H

SOSTITUZIONE DELLA LAMPADINA UV

1. La spia  si illumina di rosso quando è il momento di sostituire la lampada UV-C.
2. Rimuovere il filtro cilindrico HEPA (Fig. A) e utilizzare un cacciavite per rimuovere le 4 viti di fissaggio dell'alloggiamento della lampada UV-C (Fig. I).
3. Rimuovere delicatamente l'alloggiamento della lampada UV-C (Fig. J).
4. Scollegare la lampada UV-C dal portalampada nel purificatore d'aria (Fig. K).
5. La lampada UV-C sostitutiva (vedere a pag. 80) si inserisce direttamente nello stesso portalampada (Fig. L).
6. Rimettere l'alloggiamento della lampada UV-C e usare un cacciavite per avvitare bene le viti di fissaggio.
7. Dopo aver acceso il purificatore d'aria, mantenere premuto il pulsante Reset fino a quando la spia  non si illumina di bianco.

N.B. Ad avvenuta sostituzione dell'emettitore UV-C, provvederne allo smaltimento in un centro di raccolta locale dei RAEE.

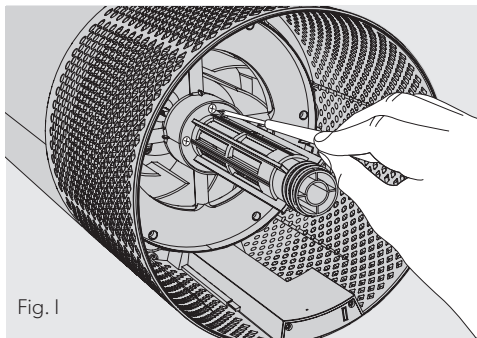


Fig. I

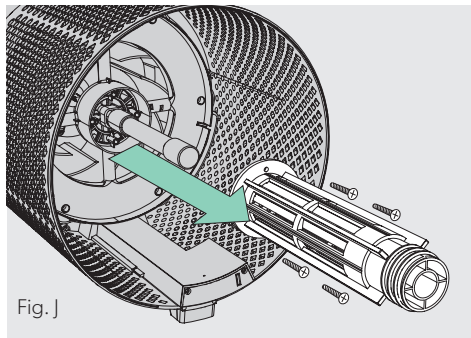


Fig. J

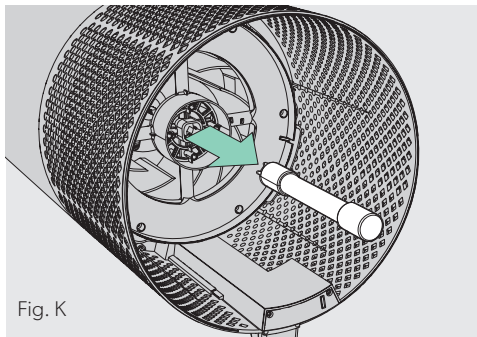


Fig. K

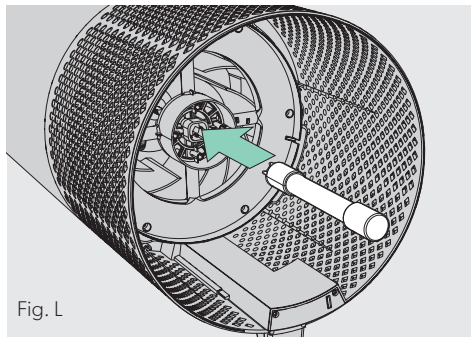


Fig. L

PULIZIA DEL SENSORE SENSORPOD™

Pulizia del sensore della qualità dell'aria

Il sensore SensorPod™ utilizza luce infrarossa per rilevare particolato ed è pertanto importante pulire la camera del sensore di polvere ogni 1-2 mesi per rimuovere la polvere o le particelle che potrebbero impedire al sensore di rilevare accuratamente lo stato di qualità dell'aria.

1. Spegnere il sensore SensorPod™ scollegando la spina dalla presa di corrente.
2. Aprire il coperchio per facile accesso sulla parte frontale sollevandolo fino a raggiungere un angolo di 90°.
3. Utilizzare un batuffolo di cotone inumidito per pulire la lente e l'area di ingresso dell'aria del sensore (Fig. M).
4. Utilizzare un batuffolo di cotone asciutto per eliminare eventuali tracce di umidità.
5. Chiudere il coperchio premendolo verso il basso e facendolo scorrere in posizione fino a quando non si ode un clic.

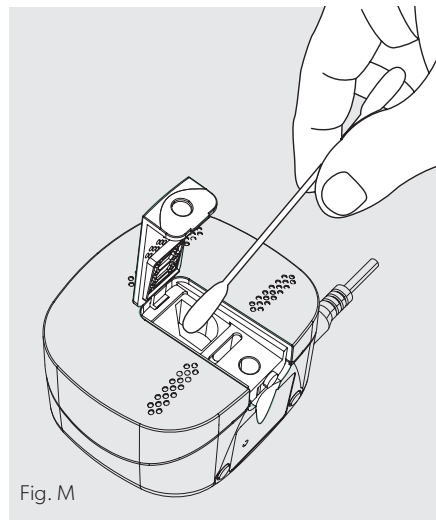


Fig. M

FAQ E RISOLUZIONE DEI PROBLEMI

<p>Dove va collocato il sensore SensorPod™?</p>	<p>In qualsiasi posizione in cui si desidera rilevare la qualità dell'aria in una stanza! Per risultati ottimali, collocare il sensore SensorPod™ su un tavolo o piano di lavoro, a non oltre 15 m di distanza dal purificatore, in linea di vista con il purificatore. Nella modalità automatica, il purificatore d'aria funziona in modo tale da distribuire aria pulita fino a quando il sensore SensorPod™ non rileva</p>
<p>Con quale frequenza devo cambiare i filtri?</p>	<p>È facile! Le spie sostituzione del purificatore indicano quando è giunto il momento di sostituire il filtro HEPA o al carbone attivo oppure la lampada UV-C. Il filtro al carbone attivo, il filtro HEPA e la lampada UV-C vanno idealmente sostituiti rispettivamente ogni 3-4 mesi, 12-15 mesi e 1-3 anni.</p>
<p>Con quale frequenza devo lavare il pre-filtro?</p>	<p>Il pre-filtro cattura particelle di più grandi dimensioni e contribuisce al funzionamento efficiente degli altri filtri e quindi si raccomanda di effettuare un'ispezione visiva del pre-filtro ogni mese e di lavarlo a seconda delle necessità. Un'altra buona abitudine è di lavare il pre-filtro ogni volta che si sostituisce il filtro a carbone attivo.</p>
<p>Con quale frequenza devo pulire il sensore di polvere nel sensore SensorPod™?</p>	<p>Per ottenere le misurazioni più accurate della qualità dell'aria, si raccomanda di pulire la superficie del sensore di polvere ogni 1-2 mesi.</p>
<p>Il purificatore d'aria non si accende.</p>	<p>Controllare che il cavo di alimentazione sia ben inserito sia nel purificatore che nella presa di corrente. Controllare che non manchi la corrente nella presa elettrica accendendo una luce o un dispositivo nelle vicinanze oppure inserendo la spina di un apparecchio funzionante nella stessa presa.</p> <p>Controllare che il filtro HEPA sia correttamente inserito nella camera del filtro.</p> <p>Contattare il nostro team se il problema persiste! (pag. 87).</p>

FAQ E RISOLUZIONE DEI PROBLEMI

<p>Il purificatore d'aria non funziona in modalità automatica.</p> <p>Oppure</p> <p>L'indicazione della qualità dell'aria non appare sul display.</p> <p>Oppure</p> <p>L'indicatore di segnale del sensore del purificatore d'aria lampeggia.</p>	<p>Controllare innanzitutto che il sensore SensorPod™ sia collegato alla presa di corrente e che la spia rimanga illuminata.</p> <p>Controllare quindi che il sensore SensorPod™ sia posto a non oltre 15 m dal purificatore (distanza di copertura).</p> <p>Se entrambi questi requisiti sono soddisfatti ma non è ancora stata stabilita la connessione, consultare le istruzioni riportate di seguito riguardanti il ripristino della connessione del sensore SensorPod™.</p>
<p>Ho perso il sensore SensorPod™!</p>	<p>Niente di cui preoccuparsi! Contattare il nostro team addetto all'assistenza clienti per ordinare un sensore SensorPod™ sostitutivo. Seguire le facili istruzioni riportate di seguito per l'accoppiamento del sensore SensorPod™ sostitutivo con il purificatore d'aria!</p>

Accoppiamento del sensore SensorPod™ con il purificatore d'aria

Il sensore SensorPod™ comunica con il purificatore d'aria utilizzando segnali a radiofrequenza, viene accoppiato durante la produzione ed è pronto per l'uso al momento dell'arrivo presso il cliente. Nella rara eventualità che il segnale sia interrotto, la spia del sensore del purificatore d'aria inizierà a lampeggiare. È possibile ripristinare il collegamento seguendo alcuni facili passaggi.

1. Scollegare il sensore SensorPod™ dalla presa di alimentazione.
2. MANTENERE premuto il pulsante di accensione del purificatore d'aria per 3 secondi, dopo di che si dovrebbero udire due rintocchi.
3. Collegare il sensore SensorPod™ alla presa di alimentazione e utilizzare un oggetto con una piccola punta (ad es. una graffetta) per premere e MANTENERE premuto il pulsante

di accoppiamento posto nella parte sottostante del sensore SensorPod™ per 5-7 secondi (Fig. N).

4. La connessione è ripristinata quando la spia del sensore del purificatore d'aria si illumina e non lampeggia e appare l'indicazione della qualità dell'aria.

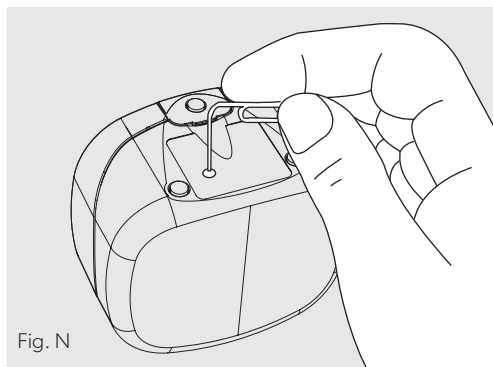


Fig. N

GARANZIA

Il funzionamento di questa macchina è garantito per due anni dalla data di acquisto, subordinatamente a uso normale. Durante il periodo di garanzia, ACCO provvederà, a propria discrezione, a riparare o sostituire gratuitamente la macchina difettosa. Difetti risultanti dall'uso improprio o dall'uso per scopi diversi da quelli per cui il prodotto è stato concepito non sono coperti dalla garanzia. Sarà necessario fornire una prova della data di acquisto. Riparazioni o modifiche effettuate da persone non autorizzate da ACCO invalideranno la garanzia. ACCO si propone di assicurare che i propri prodotti funzionino in conformità alle caratteristiche tecniche indicate. La presente garanzia non pregiudica alcun diritto riconosciuto ai consumatori dalla normativa nazionale vigente in materia di vendita di beni.

SUPPORTO

Grazie per aver acquistato il purificatore d'aria TruSens™. I nostri clienti sono al centro di tutte le nostre attività e siamo impegnati a realizzare prodotti adatti al loro stile di vita. In caso di domande o feedback, contattate il nostro team!

Visitate il nostro sito web all'indirizzo www.leitz.com/trusens

Inviateci un'e-mail all'indirizzo assistenzaitalia@acco.com

Chiamateci al numero **800868616**

Per registrare e attivare la garanzia, visitare www.leitz.com/register

TruSens™

Bienvenido al aire limpio con TruSens. Gracias por permitirnos acompañarle en su viaje hacia el bienestar.

El aire que respira debe estar limpio, independientemente de en qué parte de la sala se encuentre. TruSens SensorPod™, la tecnología PureDirect™ y la filtración de 360 grados garantizan poder disfrutar de un aire más limpio en toda la sala.

INFORMACIÓN SOBRE SEGURIDAD

LEA Y GUARDE ESTAS INSTRUCCIONES

Desenchufe o desconecte el aparato de la alimentación eléctrica antes de sustituir los filtros o el emisor de UV-C, o cuando el aparato no esté en uso.



ADVERTENCIA: Para reducir el riesgo de incendios o de descargas eléctricas, no utilice este purificador de aire con un dispositivo de control de velocidad de estado sólido.

No utilice el purificador de aire si el cable o el enchufe están dañados o si la conexión de la pared está suelta. Con el fin de evitar riesgos, si el cable de alimentación está dañado solicite su sustitución al fabricante, su agente de servicio u otra persona adecuadamente cualificada.

No coloque el cable por debajo de alfombras, alfombrillas, moquetas o cubiertas similares. No coloque el cable por debajo de muebles o aparatos. Aleje el cable de las zonas de tránsito para evitar que las personas puedan tropezarse con él.



ADVERTENCIA: Mirar directamente a la luz producida por el emisor de UV-C de este aparato puede causar lesiones oculares o cutáneas. El uso inadecuado del aparato o los daños en su carcasa pueden causar la fuga de la peligrosa radiación UV-C. La radiación UV-C puede, incluso en pequeñas dosis, causar lesiones en los ojos y la piel. Desconecte siempre la alimentación eléctrica antes de sustituir la lámpara o realizar labores de servicio. Sustituya el emisor de UV-C por el artículo 2415108 (para el modelo Z-2000), o 2415111 (para el modelo Z-3000), fabricados por ACCO Brands.

- Antes de su uso, retire todo el embalaje, incluida la bolsa que cubre el filtro.
- Los aparatos que presentan daños obvios no deben utilizarse.
- Este aparato solo debe conectarse a un enchufe de pared que corresponda al tipo de conexión y a la clasificación indicadas en la placa de clasificación.
- Sitúe el purificador de aire cerca de la toma eléctrica de pared y no utilice cables prolongadores.
- Este aparato es apto para su uso por parte de niños mayores de 8 años y las personas con facultades físicas, sensoriales o mentales reducidas, o sin experiencia y conocimientos, siempre que hayan sido supervisados o hayan recibido instrucciones relativas al uso seguro del aparato y conozcan los riesgos que su utilización supone.
- Los niños no deben jugar con el aparato ni tratar de limpiarlo o de realizar labores de mantenimiento.
- Sustituya el emisor de UV-C con el modelo especificado en este manual.
- No intente revisar ni reparar la máquina usted mismo.
- Utilice el purificador y el SensorPod™ únicamente con el cable de alimentación suministrado.
- Limpie la máquina solo con un paño húmedo y no utilice ni disolventes ni lejía.
- Asegúrese de que el aparato esté siempre colocado sobre una superficie firme y nivelada antes de utilizarlo.
- No bloquee ni obstruya las aberturas de entrada y salida de ventilación.
- No introduzca los dedos ni cualquier otro artículo en la abertura de entrada o salida del aire.
- Cuando el purificador de aire se encuentra en modo de espera, el SensorPod™ continúa transmitiendo señales/datos.

Frecuencia de funcionamiento

Inalámbrica: 2462 MHz

Potencia máxima de transmisión

(EIRP) Inalámbrica: 0 dBm

Ganancia de antena

Inalámbrica: 2 Dbi

Por la presente, ACCO UK Ltd declara que los modelos de equipos radioeléctricos Purificador de aire Leitz TruSens Z-2000 y Z-3000 cumplen con lo dispuesto en la Directiva 2014/53/UE.

El texto completo de la declaración de conformidad UE está disponible en la siguiente dirección de internet: <https://declarations.accobrands.com/>

Para cumplir con los requisitos de exposición a radiofrecuencias, debe mantenerse una distancia mínima de separación de 20 cm entre el cuerpo del usuario y el dispositivo.

Residuos de aparatos eléctricos y electrónicos (RAEE)

Al final de su vida útil, su producto se considera un residuo de aparato eléctrico y electrónico (RAEE). Por lo tanto, es importante que tenga en cuenta lo siguiente:

Los RAEE no deben eliminarse como residuos urbanos no seleccionados. Deben recogerse por separado de modo que se puedan desmontar para reciclar, reutilizar y valorizar sus componentes y materiales

(como combustible para la recuperación de energía en la producción de electricidad).

Los ayuntamientos han creado puntos de recogida públicos para la recogida gratuita de RAEE.

Lleve su RAEE al punto de recogida más cercano a su hogar u oficina.

Si experimenta alguna dificultad para encontrar un punto de recogida, el comercio que le vendió el producto debería aceptar su RAEE.

Si ya no está en contacto con el comercio, póngase en contacto con ACCO para recibir ayuda.

El reciclaje de RAEE tiene como finalidad la protección del medio ambiente, la protección de la salud humana, la conservación de materias primas, la mejora del desarrollo sostenible y la garantía de un mejor suministro de productos básicos en la Unión Europea. Esto se consigue mediante la recuperación de materias primas secundarias valiosas y la reducción de la eliminación de residuos. Para contribuir a la consecución de estos objetivos, devuelva su RAEE al punto de recogida.

Su producto está marcado con el símbolo RAEE (contenedor de basura con una X). Este símbolo tiene como finalidad informarle de que el RAEE no se puede eliminar como residuo urbano no seleccionado.

Los purificadores de aire Leitz TruSens también vienen equipados con un emisor UV-C. Al reemplazar este artículo (durante la vida útil del producto), estos también deben devolverse y desecharse en su centro local de recolección de RAEE.

Puede encontrar más información y guías de instalación / videos para el emisor UV-C en www.leitz.com

CARACTERÍSTICAS PRINCIPALES



SensorPod™

Monitor remoto de la calidad de aire que asegura el aire más limpio, allí donde lo necesite.



Tecnología PureDirect™

Los ensayos en laboratorios independientes confirman que dos flujos de aire son mejor que uno, ya que el aire se mueve de manera más eficaz y confortable por toda la sala.



Informa y adapta

El código de colores de la iluminación del anillo proporciona información adicional comunicando la calidad del aire en tiempo real.



Purificación de 360°

El filtro HEPA captura las sustancias contaminantes y los gases/ olores de los COV en todas direcciones. La luz UV-C elimina los gérmenes y las bacterias que puedan quedar atrapados en el filtro.

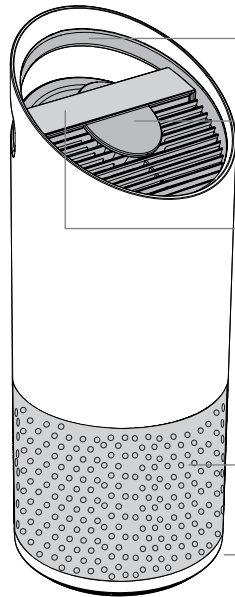


Cuidadoso diseño

Funcionalidad excepcional enmarcada en un diseño contemporáneo que se adapta a cualquier ambiente.

DESCRIPCIÓN DEL PRODUCTO

Purificador de aire



Asa para un fácil transporte

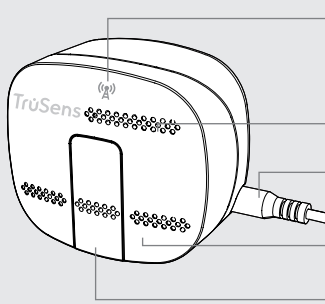
Display de información de calidad del aire

Sencillo panel de control táctil

Entrada de aire de 360°

Cubierta del filtro y perilla (parte inferior)

SensorPod™



Indicador de encendido y señal

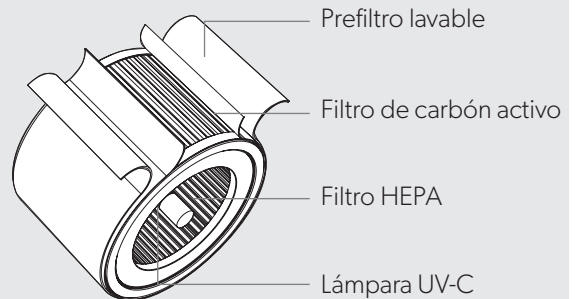
Salida de aire

Cable de alimentación

Entrada de aire

Tapa de fácil acceso

Filtro y lámpara UV-C



Prefiltro lavable

Filtro de carbón activo

Filtro HEPA

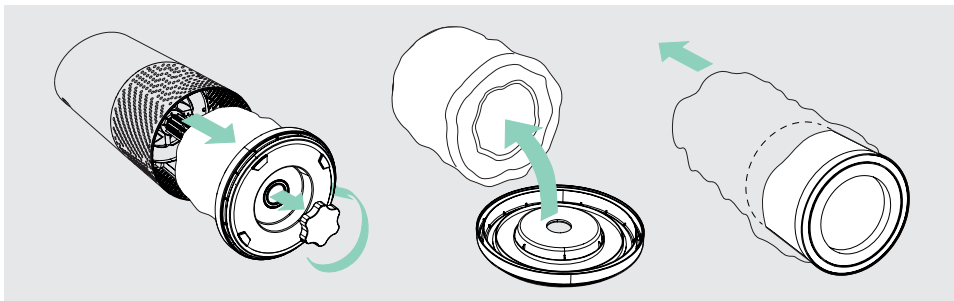
Lámpara UV-C

PRIMEROS PASOS



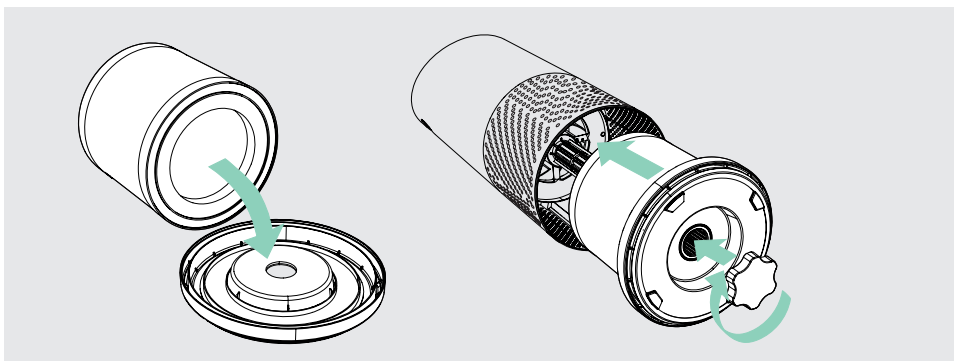
1. Saque el filtro de la bolsa de plástico

Desatornille la cubierta inferior y retire la bolsa de plástico del filtro.



2. Vuelva a colocar el filtro

Fije el filtro en la cubierta inferior y vuelva a colocarlo en el purificador.



3. Preparación

Enchufe su SensorPod™.

Coloque su SensorPod™ en posición vertical sobre una mesa o superficie de trabajo situada en el otro extremo de la sala, en la línea visual del purificador.

Enchufe el purificador y enciéndalo.

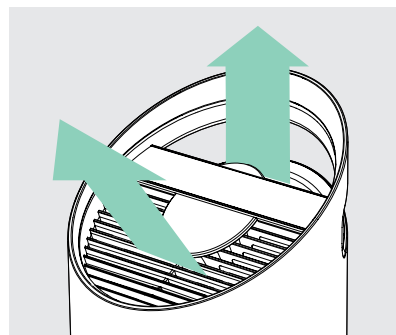
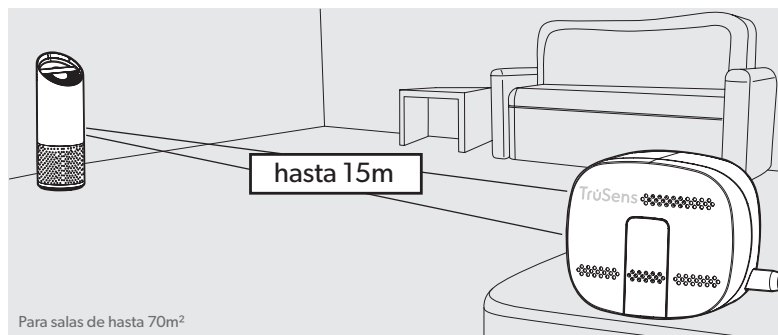
Coloque el purificador en una superficie plana, libre de obstrucciones

- donde el aire pueda fluir libremente hacia el purificador desde todas las direcciones
- donde se eviten enseres, como ropa de cama y cortinas, así como fuentes de calor o de humedad.

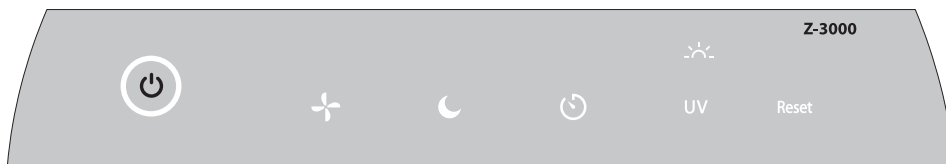
La potencia de la señal puede variar dependiendo de la ubicación. En caso de que se produzca la extraña circunstancia de que no funcione, consulte la página 103.

4. ¡Comience a vivir con un aire más limpio!

El purificador ajustará automáticamente las velocidades del ventilador según las lecturas de la calidad del aire suministradas por el SensorPod™ y la exclusiva tecnología PureDirect™ distribuirá el aire purificado por toda la sala.



PANEL DE CONTROL



Botón de encendido



Ajustes de velocidad del ventilador

Seleccione la velocidad del ventilador o el modo AUTO. En modo AUTO, el purificador ajusta automáticamente la velocidad del ventilador basándose en las lecturas de la calidad del aire suministradas por el SensorPod™.

(El modo AUTO solo está disponible cuando el purificador está emparejado con el SensorPod™ y recibe una señal).



Modo nocturno

La iluminación del display se apaga para utilizar el purificador mientras duerme, sin sacrificar su eficacia. Para volver a encender todas las funciones del display, solo tiene que volver a pulsar el botón.




Modo de temporizador


El purificador se apagará automáticamente después de 2, 4, 8, o 12 horas.

Para cancelar esta cuenta atrás, solo tiene que pulsar el botón hasta que no se muestre ningún ajuste del temporizador.

UV

Modo UV

La lámpara UV-C de la cámara del filtro del purificador está encendida cuando el símbolo  está iluminado de color blanco.

El símbolo  se encenderá de color rojo cuando sea necesario sustituir la lámpara UV-C. (Consulte las instrucciones de la página 100).

Reset

Reinicio de los indicadores de los filtros y de UV

Los indicadores "HEPA", "Carbon" y "UV" se encienden de color rojo cuando es necesaria la sustitución de dichos elementos.

Cuando se enciende un indicador, solo tiene que mantener pulsado el botón Reset durante 3 segundos para reiniciar dicho indicador.

Cuando hay más de dos indicadores encendidos, toque el botón Reset para seleccionar el indicador adecuado (el indicador seleccionado parpadeará) antes de mantener pulsado el botón Reset durante 3 segundos.

(Consulte las instrucciones de sustitución en las páginas 98-100. Siga las instrucciones anteriores para el reinicio de los indicadores después de sustituir un filtro).

DISPLAY DE CALIDAD DE AIRE

Feedback en tiempo real

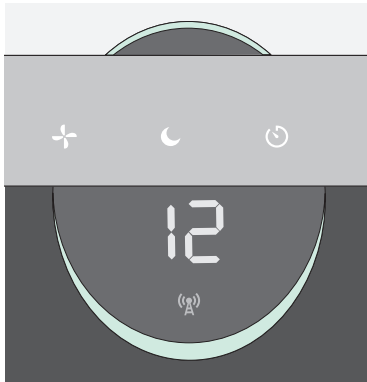
El revolucionario SensorPod™ evalúa el estado del aire midiendo tanto las partículas pequeñas (PM2.5) como las grandes (PM10). Calcula la calidad general del aire utilizando un algoritmo patentado que reacciona a los incrementos reales de las sustancias contaminantes sin sobre-reaccionar cuando alguien entra en la sala o se sienta en el sillón.

El display iluminado, y con código de colores, indica si la calidad del aire es buena, regular o deficiente y un valor numérico proporciona un mayor grado de detalle.

En modo AUTO, el purificador ajusta automáticamente la velocidad del ventilador en respuesta a estas lecturas de la calidad del aire.

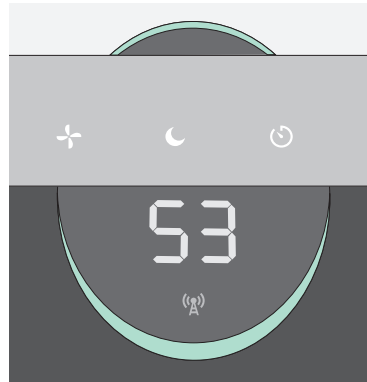
BUENA

AZUL | 0 - 50



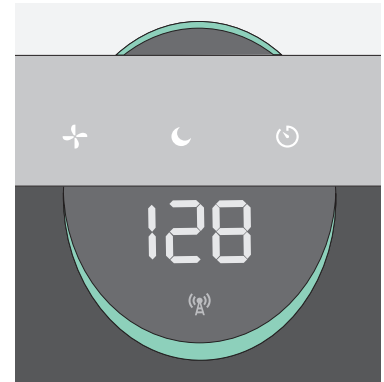
REGULAR

AMARILLO | 50 - 100



DEFICIENTE

ROJO | 100 - 500



ESPECIFICACIONES

Entrada de aire	360°
2 cambios de aire por hora	70 m ²
Tipo de suministro de aire	PureDirect™
Sensor	SensorPod™ funciona a una distancia máxima de 15 m del purificador
Ajustes de velocidad del ventilador	Whisper, 1, 2, 3, Turbo
Niveles de purificación	Prefiltro lavable, filtro de carbón activo, HEPA, lámpara UV-C
Ajustes del temporizador	2, 4, 8, 12 horas
Indicadores de cambio de filtros	Carbon, HEPA, UV
Ruido	32 - 66 dB
Dimensiones	263 x 263 x 726 mm
Peso	5.7 kg
Tipo de motor	Motor de CC
Requisitos eléctricos	220-240v 50Hz/60Hz 0,5A
Consumo eléctrico	68 W
Garantía	2 años

Filtros y lámparas UV-C de recambio

Filtro de tambor HEPA 3 en 1	2415110
Filtro de carbón activo (paquete de 3)	2415109
Lámpara UV-C	2415111

CUIDADO Y MANTENIMIENTO

Acceso a la cámara del filtro

1. Apague siempre el purificador pulsando el botón de encendido y desenchufando el cable.
2. Coloque la unidad suavemente en el suelo sobre su costado de forma que la cubierta de la cámara del filtro y la perilla queden a la vista.
3. Gire la perilla hacia la izquierda y retire la cubierta de la cámara del filtro y el filtro de tambor HEPA (Fig. A).

SUSTITUCIÓN DEL FILTRO HEPA

1. El indicador de HEPA se iluminará de color rojo cuando sea el momento de cambiar todo el filtro de tambor HEPA.
2. Tire suavemente del filtro de tambor HEPA para extraerlo de su posición fijado a la cubierta del filtro (Fig. B).
3. Fije el filtro HEPA de recambio en la cubierta del filtro (Fig. C).
4. Coloque suavemente la cubierta con el filtro de tambor dentro de la cámara del filtro y sobre la rosca, y gire la perilla hacia la derecha hasta que, tanto la perilla como la cubierta, queden firmemente apretadas (Fig. D).
5. Enchufe el cable y encienda el purificador. Mantenga pulsado el botón Reset hasta que se apague el indicador de HEPA.

Nota: El filtro de tambor HEPA (consulte la página 97) estará compuesto por 3 capas: Prefiltro lavable, filtro de carbón activo y HEPA.

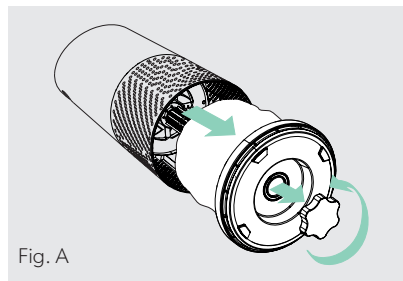


Fig. A

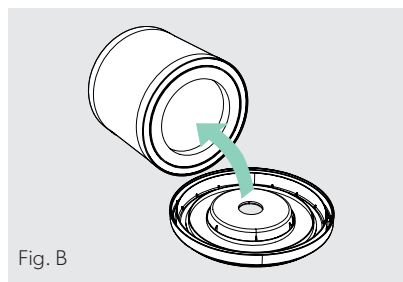


Fig. B

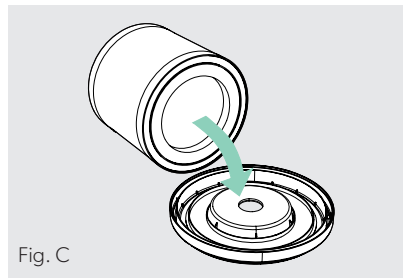


Fig. C

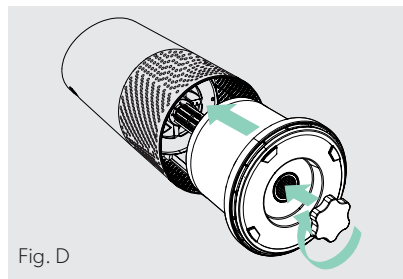


Fig. D

SUSTITUCIÓN DEL FILTRO DE CARBÓN ACTIVO

1. El indicador del filtro de carbón activo se encenderá de color rojo cuando sea necesario sustituir la capa de carbón.
2. Separe suavemente el prefiltro de las bandas de sujeción (Fig. E).
3. Separe suavemente la capa de carbón usada de las bandas de sujeción (Fig. F).
4. Coloque una nueva capa de carbón activo alrededor del tambor del filtro y móntela con las mismas bandas de sujeción (Fig. G).
5. Coloque el prefiltro alrededor de la capa de carbón e instálelo con las bandas de sujeción (Fig. H).
6. Cuando encienda el purificador, mantenga pulsado el botón Reset hasta que se apague el indicador rojo del filtro de carbón activo.

Nota: el paquete de 3 del filtro de carbón activo (consulte la página 97) será válido para los 3 cambios del filtro de carbón activo requeridos entre cada sustitución del filtro de tambor HEPA (consulte la página 98).

LAVADO DEL PREFILTRO

1. Recomendamos que realice una inspección visual del prefiltro todos los meses y que lo limpie si es necesario. Como mínimo, deberá lavar a mano el prefiltro cada vez que cambie el filtro de carbón activo.
2. Separe suavemente el prefiltro lavable de las bandas de sujeción (Fig. E).
3. Aclárelo suavemente con agua corriente - permita que el prefiltro se seque al aire antes de volver a instalarlo.
4. Coloque el prefiltro alrededor del tambor del filtro e instálelo con las bandas de sujeción (Fig. H).

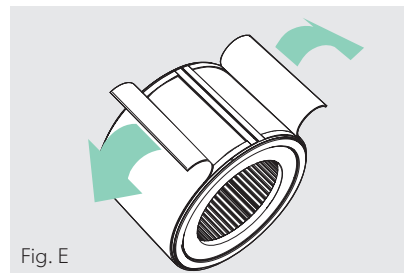


Fig. E

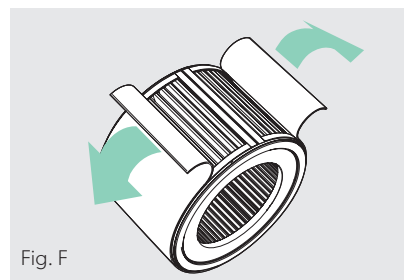


Fig. F

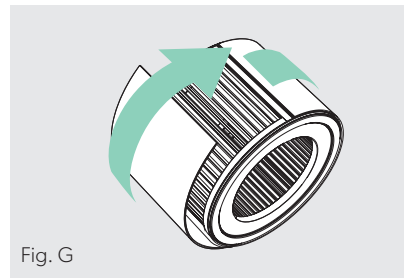


Fig. G

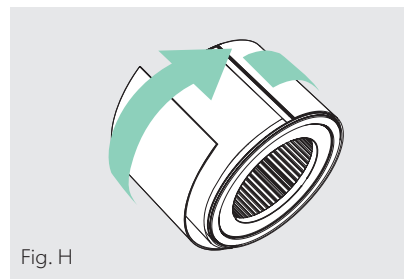




Fig. H

SUSTITUCIÓN DE LA LÁMPARA UV-C

1. El indicador  se encenderá de color rojo cuando sea necesario sustituir la lámpara UV-C.
2. Retire el filtro de tambor HEPA (Fig. A) y utilice un destornillador para extraer los 4 tornillos que sujetan la carcasa de la lámpara UV-C (Fig. I).
3. Retire suavemente la carcasa de la lámpara UV-C (Fig. J).
4. Desconecte la lámpara UV-C del conector del purificador (Fig. K).
5. Su lámpara UV-C de recambio (consulte la página 97) se conectará directamente al mismo conector (Fig. L).
6. Vuelva a colocar la carcasa de la lámpara UV-C y utilice un destornillador para apretar los tornillos de fijación.
7. Cuando encienda el purificador, mantenga pulsado el botón Reset hasta que el  indicador se encienda de color blanco.

Nota: Una vez sustituido el emisor de UV-C, deséchelo en su punto de recogida de RAEE.

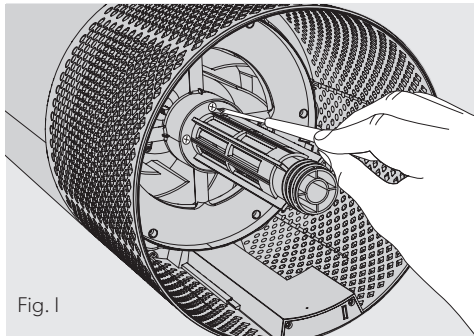


Fig. I

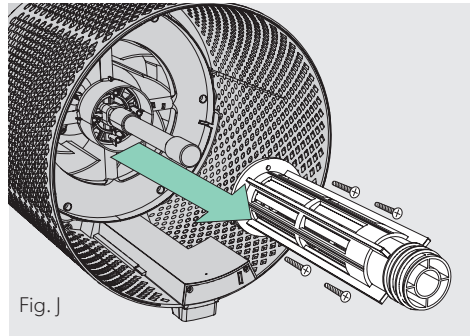


Fig. J

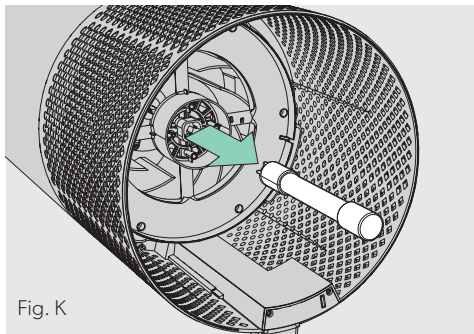


Fig. K

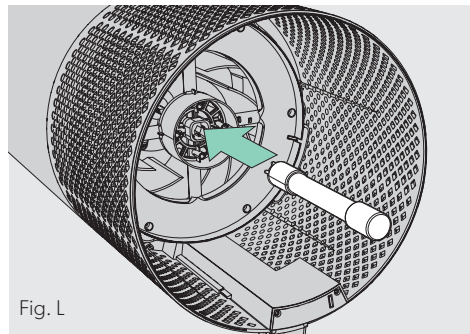


Fig. L

LIMPIEZA DEL SENSORPOD™

Limpieza del sensor de calidad del aire

El SensorPod™ utiliza una luz infrarroja para detectar partículas, por tanto, es importante que limpie la cámara del sensor cada 1 o 2 meses con el fin de eliminar el polvo o las partículas que pudieran afectar a la precisión de las lecturas del sensor.

1. Apague el SensorPod™ desenchufando el cable.
2. Abra la tapa de fácil acceso situada en su parte delantera levantándola en un ángulo de 90°..
3. Utilice un bastoncillo de algodón húmedo para limpiar la lente y el área de entrada del sensor de polvo (Fig. M).
4. Utilice un bastoncillo de algodón seco para eliminar la humedad restante.
5. Cierre la tapa bajándola y deslizándola hacia su posición hasta que oiga un clic.

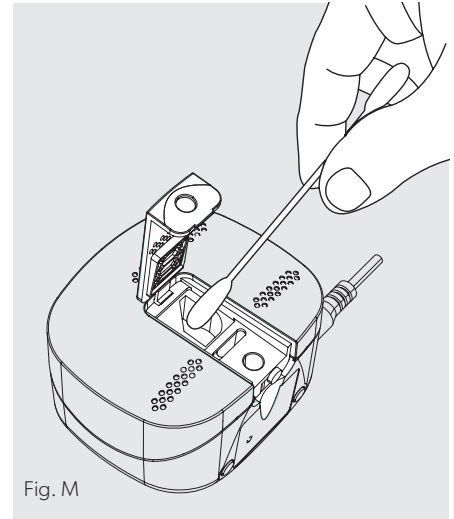


Fig. M

PREGUNTAS FRECUENTES Y RESOLUCIÓN DE PROBLEMAS

<p>¿Dónde coloco el SensorPod™?</p>	<p>¡En el lugar donde quiera medir la calidad del aire de la sala! Para obtener unos resultados óptimos, coloque el SensorPod™ a una distancia máxima de 15 metros del purificador de aire, sobre una mesa o superficie de trabajo, en la línea visual del purificador. En modo Auto, el purificador distribuirá aire limpio hasta que el SensorPod™ obtenga un nivel de calidad del aire aceptable.</p>
<p>¿Con qué frecuencia debo cambiar los filtros?</p>	<p>¡Es fácil! Los indicadores de sustitución del purificador le informarán cuando llegue el momento de cambiar el filtro de carbón activo, el filtro HEPA o la lámpara UV-C. Será necesario sustituir el filtro de carbón activo cada 3-4 meses, el filtro HEPA cada 12-15 meses y la lámpara UV-C cada 1-3 años.</p>
<p>¿Con qué frecuencia debo lavar el prefiltro?</p>	<p>El prefiltro captura las partículas de mayor tamaño y conserva la eficiencia de los otros filtros, por tanto recomendamos que inspeccione visualmente el prefiltro cada mes y que lo lave cuando sea necesario. Otro buen hábito es lavar el prefiltro cada vez que cambie el filtro de carbón activo.</p>
<p>¿Con qué frecuencia debo limpiar el sensor de polvo del SensorPod™?</p>	<p>Para que la medición de la calidad del aire sea lo más precisa posible, recomendamos que limpie la superficie del sensor de polvo cada 1 o 2 meses.</p>
<p>El purificador no se enciende</p>	<p>Compruebe que el cable de alimentación está conectado tanto al enchufe como al purificador. Compruebe si se ha producido un corte de suministro eléctrico encendiendo una luz o un dispositivo cercano, o conectando otro dispositivo que funcione al mismo enchufe.</p> <p>Compruebe que el filtro HEPA está instalado correctamente en la cámara del filtro.</p> <p>¡Póngase en contacto con nosotros si el problema persiste! (página 104).</p>

PREGUNTAS FRECUENTES Y RESOLUCIÓN DE PROBLEMAS

<p>El purificador no entra en modo Auto.</p> <p>o</p> <p>Las indicaciones de calidad del aire están apagadas.</p> <p>o</p> <p>El indicador de señal del sensor del purificador está parpadeando.</p>	<p>Primero, compruebe que el SensorPod™ está enchufado y que su luz está encendida.</p> <p>A continuación, compruebe que el SensorPod™ está a una distancia operativa del purificador (hasta 15 m).</p> <p>Si ambos son correctos y la conexión sigue fallando, consulte las instrucciones siguientes para la reparación de la conexión del SensorPod™.</p>
<p>¡He perdido mi SensorPod™!</p>	<p>¡No se preocupe! Póngase en contacto con nuestro equipo de atención al cliente para solicitar un SensorPod™ de recambio. ¡Siga las sencillas instrucciones de emparejamiento para emparejar su SensorPod™ de recambio con su purificador de aire!</p>

Emparejamiento del SensorPod™ y el purificador

El SensorPod™ se comunica con el purificador utilizando señales de radiofrecuencia y se emparejará en la línea de producción y estará listo para su utilización cuando abra la caja. En el extraño caso de que se interrumpa la señal, la luz indicadora del sensor del purificador parpadeará. Puede reparar la conexión siguiendo unos sencillos pasos.

1. Desenchufe el SensorPod™.
2. MANTENGA PULSADO el botón de encendido del purificador durante 3 segundos. A continuación, oírás dos señales acústicas.
3. Enchufe el SensorPod™ y utilice un artículo con una punta fina (clip de papel) para MANTENER PULSADO durante 5-7 segundos el botón de emparejamiento

situado en la parte inferior del SensorPod™ (Fig. N).

4. La conexión se establece cuando se enciende sin parpadear la luz indicadora del sensor del purificador y se encienden los indicadores de calidad del aire.

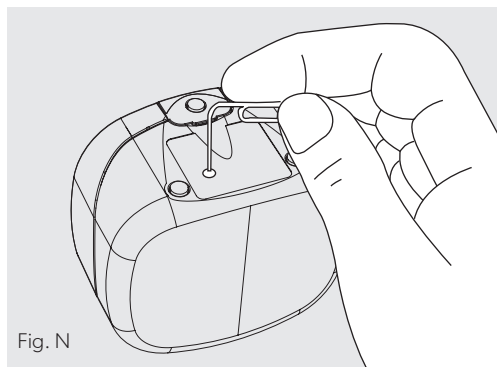


Fig. N

GARANTÍA

El funcionamiento de esta máquina está garantizado durante un período de dos años a partir de la fecha de adquisición, siempre que su utilización sea normal. Durante el plazo de garantía, ACCO, a su propia discreción, reparará o sustituirá el aparato defectuoso gratuitamente. La garantía no cubre los defectos causados por uso indebido o por su utilización para fines inadecuados. Se requerirá un comprobante de la fecha de compra. Las reparaciones o modificaciones realizadas por personas no autorizadas por ACCO anularán la garantía. Nuestro objetivo es asegurar que nuestros productos funcionan según las especificaciones indicadas. Esta garantía no afecta a los derechos legales que tienen los consumidores en virtud de la legislación vigente aplicable que rige la venta de artículos.

ASISTENCIA

Gracias por abrir las puertas de su hogar a TruSens™. Todo lo que hacemos se centra en nuestros clientes y nos esforzamos por diseñar productos que se adapten a su estilo de vida. Para realizar cualquier consulta o comentario, ¡póngase en contacto con nosotros!

Visite nuestro sitio web en www.leitz.com/trusens

Envíenos un email a servicio.tecnico@acco.com

Llámenos al número [93.238.44.22](tel:93.238.44.22)

Para registrarse y activar su garantía, vaya a www.leitz.com/register

TruSens™

Com TruSens, dê as boas-vindas a ar limpo. Agradecemos ter-nos permitido acompanhá-lo na sua viagem com destino ao bem-estar.

O ar que respira deve ser limpo, independentemente de onde se encontrar no compartimento. TruSens SensorPod™, a tecnologia PureDirect™ e a filtração a 360 graus asseguram que todo o compartimento beneficia de ar mais limpo.

INFORMAÇÃO DE SEGURANÇA

LEIA E GUARDE ESTAS INSTRUÇÕES

Retire a ficha da tomada ou desligue o purificador de ar da sua alimentação antes de substituir os filtros ou o emissor de UV-C, ou quando o purificador não estiver a ser utilizado.



AVISO: Para reduzir o risco de incêndio ou de choque elétrico, não utilize este purificador com um regulador de estado sólido da velocidade da ventoinha.

Não utilize o purificador se o cabo ou a ficha estiverem danificados, ou se a tomada de parede estiver frouxa. Se o cabo de alimentação estiver danificado deve ser substituído pelo fabricante, pelo representante responsável pelas reparações ou por outras pessoas devidamente qualificadas, para evitar uma situação de perigo.

Não passe o cabo por baixo de carpetes, tapetes, passadeiras ou artigos semelhantes. Não passe o cabo por baixo de móveis ou de aparelhos. Coloque o cabo afastado de áreas de grande movimento e onde não haja o risco de tropeçar nele.



AVISO: Se olhar diretamente para a luz produzida pelo emissor de UV-C, isso pode resultar em lesões oculares ou da pele. O uso inapropriado do purificador ou danos no seu invólucro podem resultar na fuga de radiação UV-C perigosa. A radiação UV-C pode, mesmo em doses pequenas, provocar lesões oculares e da pele. Desligue sempre a alimentação antes de substituir a lâmpada ou de efetuar qualquer manutenção. Substitua a lâmpada do emissor de UV-C pelo artigo 2415108 (para o Z-2000) ou 2415111 (para o Z-3000), fabricados pela ACCO Brands.

- Retire toda a embalagem, incluindo o saco que cobre o filtro, antes de utilizar.
- Não deve utilizar purificadores que estejam claramente danificados.
- Deve ligar este purificador apenas a uma tomada de parede que corresponda ao tipo de ficha fornecido e aos valores nominais indicados na placa de identificação.
- Posicione o purificador junto da tomada de parede e não utilize extensões.
- Este purificador pode ser utilizado por crianças a partir de 8 anos de idade e por pessoas com reduzidas capacidades físicas, sensoriais ou mentais, ou com falta de experiência e conhecimentos, desde que sejam supervisionadas ou lhes tenham sido dadas instruções sobre o modo de utilização segura do purificador e compreendam os perigos envolvidos.
- As crianças não devem brincar, limpar ou tentar efetuar a manutenção do purificador.
- Substitua a lâmpada do emissor de UV-C pelo artigo especificado neste manual.
- Não tente executar por si mesmo qualquer manutenção ou reparação deste produto.
- Use o purificador e o SensorPod™ apenas com o cabo de alimentação fornecido.
- Limpe este purificador apenas com um pano húmido; não utilize solventes ou lixívia.
- Certifique-se de que o purificador está sempre colocado sobre uma superfície firme e nivelada, antes de o utilizar.
- Não bloqueie nem obstrua as entradas ou saídas de ar.
- Não introduza os dedos ou quaisquer outros objetos nas entradas ou saídas de ar.
- Quando o purificador estiver em modo de espera, o SensorPod™ continua a transmitir um sinal/dados.

Frequência Operacional

Sem Fios: 2.462 MHz

Potência Máxima de Transmissão (EIRP)

Sem Fios: 0 dBm

Ganho da Antena

Sem Fios: 2 Dbi

A ACCO UK Ltd declara por este meio que os equipamentos de rádio para os modelos de Purificador de Ar Leitz TruSens Z-2000/Z-3000 estão em conformidade com a Diretiva 2014/53/UE.

O texto completo da declaração de conformidade com a UE está disponível

<https://declarations.accobrands.com/>

Deve manter-se uma distância de separação mínima de 0,2 m entre o corpo do utilizador e o dispositivo, em conformidade com os requisitos de exposição a RF.

Resíduos de Equipamento Elétrico e Eletrónico (REEE)

No fim da sua vida útil o seu produto é considerado um REEE. Por isso, é importante notar que: O REEE não deve ser eliminado como resíduo urbano não triado. Ele deve ser recolhido seletivamente para que possa ser desmontado e os seus componentes e materiais possam ser reciclados, reutilizados e valorizados (como combustível para a recuperação de energia na produção de eletricidade).

As autoridades locais criaram pontos de recolha públicos para a recolha de REEE, sem encargos para si. Queira entregar o seu REEE na instalação de recolha mais próxima do seu escritório ou casa.

Se tiver dificuldade em localizar uma instalação de recolha, o retalhista que lhe vendeu o produto é responsável por assegurar a retoma do seu REEE. Se já não está em contacto com o seu retalhista, queira contactar a ACCO que o auxiliará a resolver este assunto.

A reciclagem de REEE segue uma abordagem orientada para a proteção do ambiente e da saúde humana, a preservação das matérias-primas e a melhoria do desenvolvimento sustentável, e para assegurar um melhor fornecimento de mercadorias na União Europeia. Isto será alcançado mediante a recuperação de matérias-primas secundárias valiosas e a redução da quantidade de resíduos a eliminar. Pode contribuir para o sucesso destes objetivos entregando o seu REEE numa instalação de recolha.

O seu produto está marcado com o símbolo de REEE (contentor de lixo barrado com uma cruz). Este símbolo informa-o de que o REEE não deve ser eliminado como resíduo urbano não triado.

Os purificadores de ar Leitz TruSens também são equipados com um emissor de UV-C. Após a substituição deste item (durante a vida útil do produto), eles também devem ser devolvidos e descartados nas instalações de coleta local de WEEE. Mais informações e guias / vídeos de instalação para o emissor UV-C podem ser encontrados em www.leitz.com

PRINCIPAIS CARACTERÍSTICAS



SensorPod™

Monitorização remota da qualidade do ar, que assegura ar mais limpo exatamente onde necessita dele.



Tecnologia de fluxo de ar duplo PureDirect™

Ensaios laboratoriais independentes confirmam que dois fluxos de ar funcionam melhor do que apenas um, movimentando o ar com maior eficiência e conforto em todo o compartimento.



Informa e adapta

Um anel iluminado a cores fornece informação adicional, comunicando a qualidade do ar em tempo real.



Purificação a 360°

O filtro HEPA capta poluentes e gases de compostos orgânicos voláteis/odores provenientes de todas as direções. A luz UV-C mata germes e bactérias que possam ficar presas no filtro.

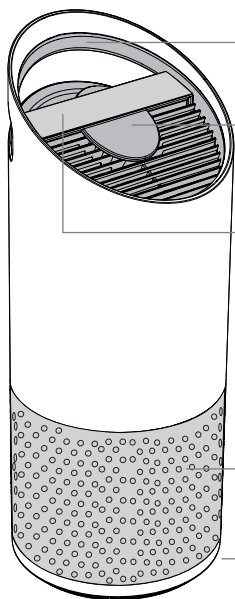


Execução Cuidadosa

Funcionalidade excepcional integrada numa conceção moderna, própria para qualquer ambiente.

VISÃO GERAL DO PRODUTO

Purificador de Ar



Pega para facilidade de transporte

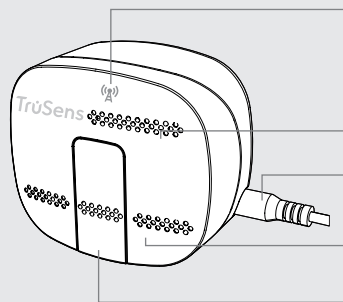
Visualização da qualidade do ar

Painel táctil de controlo simples

Admissão de ar a 360°

Tampa e botão do filtro (face inferior)

SensorPod™



Indicador
SensorPod ligado
e de existência
de sinal

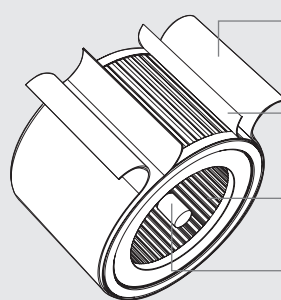
Saída de ar

Cabo de
alimentação

Admissão de ar

Porta de fácil
acesso

Filtros e Lâmpada UV-C



Pré-filtro lavável

Filtro de carbono
ativo

Filtro HEPA

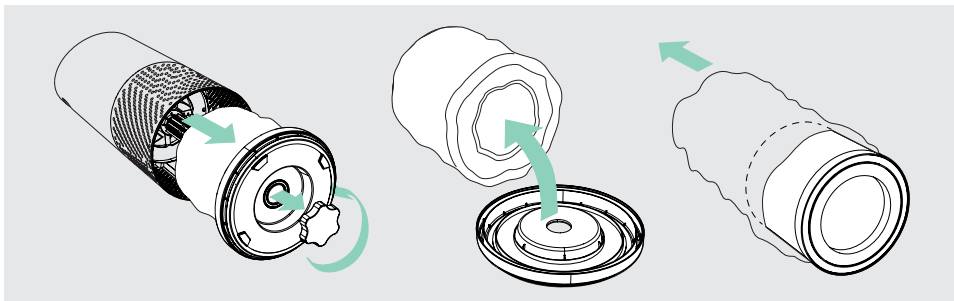
Lâmpada UV-C

PREPARAÇÃO PARA UTILIZAÇÃO



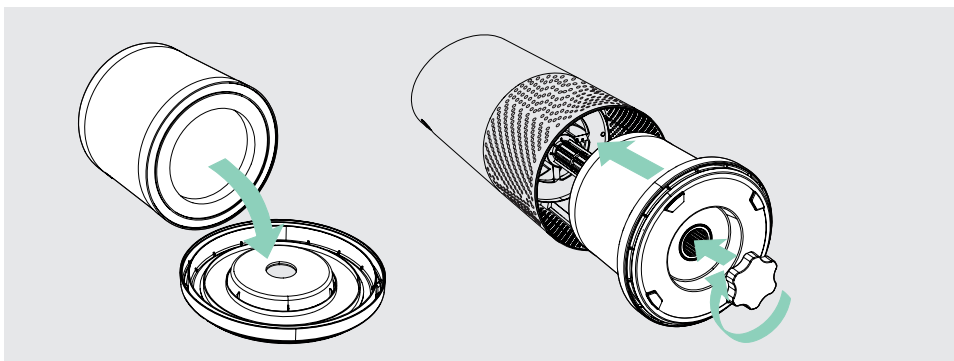
1. Retire o saco de plástico do filtro

Desenrosque a tampa inferior e retire o saco de plástico do filtro.



2. Volte a prender o filtro

Fixe o filtro à tampa inferior e coloque-o dentro do purificador.



3. Preparação

Ligue a ficha do seu SensorPod à tomada.

Coloque o SensorPod sobre o topo de uma mesa ou superfície de trabalho de um lado da sala, de modo a ficar na linha de visão do purificador.

Ligue a ficha do purificador à tomada e ligue aquele.

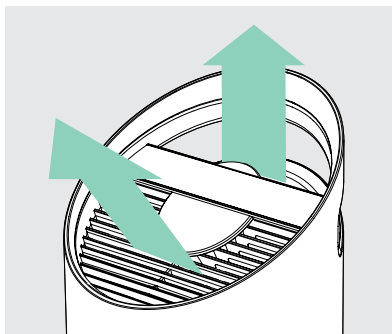
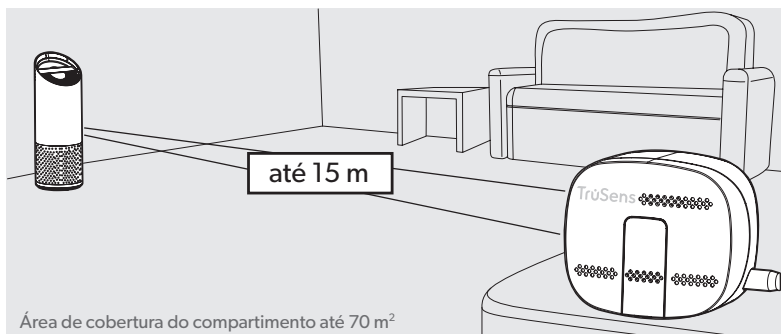
Coloque o purificador sobre uma superfície plana, longe de quaisquer obstruções.

- onde o ar possa fluir livremente de todos os lados para o interior do purificador.
- evitando itens como roupa de cama e cortinas, assim como fontes de calor e de humidade.

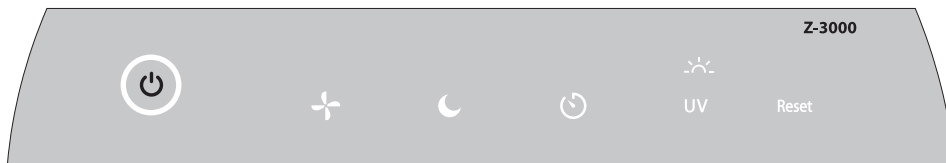
A força do sinal pode variar com o local. Nos casos raros em que o SensorPod não funcionar, consulte a página 120.

4. Come a desfrutar de ar mais limpo!

O purificador ajusta automaticamente a velocidade da ventoinha com base nos valores da qualidade do ar indicados pelo SensorPod e a tecnologia exclusiva PureDirect™ distribui ar purificado em todo o compartimento!



PAINEL DE CONTROLO



Botão de alimentação



Definições da Velocidade da Ventoinha

Selecione a velocidade da ventoinha ou o modo Automático.

Em modo AUTOMÁTICO o purificador ajusta automaticamente a velocidade da ventoinha com base nos valores da qualidade do ar indicados pelo SensorPod.

(O modo AUTOMÁTICO só está disponível depois de emparelhar o purificador ao SensorPod e de receber um sinal).



Modo Noite

Durante a noite toda a visualização fica apagada, sem que isso afete a eficácia do purificador.

Basta premir o botão de novo para toda a visualização ficar iluminada.



Modo Temporizador

O purificador desliga automaticamente após 2, 4, 8 ou 12 horas.

Para cancelar esta contagem decrescente basta premir o botão do temporizador até este não indicar nenhum valor.



Modo UV

A lâmpada de UV-C na câmara do filtro do purificador está ligada quando a cor do símbolo  for branca.

O símbolo  passa a vermelho quando for necessário substituir a lâmpada de UV-C.

(Consulte as instruções na página 117).

Reset

Reinicialização dos Indicadores do Filtro e da Lâmpada de UV

Os indicadores “HEPA”, “Carbon” e “UV” acendem a vermelho quando for necessário substituir cada um deles. Quando estiver iluminado apenas 1 indicador, basta premir o botão Reiniciar (Reset) durante 3 segundos para reinicializar esse indicador.

Quando estiverem 2+ indicadores iluminados, prima levemente o botão Reiniciar (Reset) para selecionar o indicador apropriado (o indicador selecionado começa a piscar), antes de o manter premido durante 3 segundos para reinicializar esse indicador.

(Consulte as instruções de “substituição” nas páginas 115-117 . Siga as instruções de Reinicialização acima indicadas depois de substituir um filtro).

VISUALIZAÇÃO DA QUALIDADE DO AR

Feedback em tempo real

O revolucionário SensorPod™ avalia a qualidade do ar medindo tanto as partículas pequenas (PM2.5) como as maiores (PM10). Ele calcula a qualidade geral do ar utilizando um algoritmo exclusivo que reage positivamente a aumentos genuínos de poluentes, sem reagir exageradamente à entrada de uma pessoa no compartimento ou a alguém se sentar no sofá.

O indicador iluminado a cores comunica a qualidade do ar como sendo boa, moderada ou fraca, assim como um valor numérico que informa mais detalhadamente.

Em modo AUTOMÁTICO o purificador ajusta automaticamente a velocidade da ventoinha em resposta a estes valores da qualidade do ar.

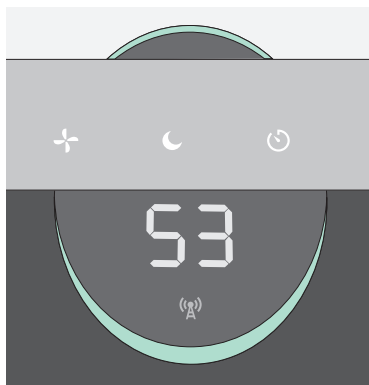
BOA

AZUL | 0 - 50



MODERADA

AMARELO | 50 - 100



FRACA

VERMELHO | 100 - 500



ESPECIFICAÇÕES

Admissão de Ar	360°
O ar é substituído 2 vezes por hora	Para um compartimento com 70 m ²
Tipo de Distribuição do Ar	PureDirect™
Sensor	SensorPod™ funciona até uma distância de 15 m do purificador.
Definições da Velocidade da Ventoinha	Whisper, 1, 2, 3, Turbo
Níveis de Purificação	Pré-Filtro Lavável, Filtro de Carbono Ativo, HEPA, Lâmpada UV-C
Definições do Temporizador	2, 4, 8, 12 horas
Indicadores de Substituição do Filtro	"Carbon", "HEPA", "UV"
Ruído	32 - 66 dB
Dimensões	263 x 263 x 726 mm
Peso	5,7 kg
Tipo de Motor	Motor de CC
Requisitos de Potência	220-240v 50/60Hz 0,5A
Consumo de Potência	68 W
Garantia	2 anos

Substituição dos Filtros e da Lâmpada de UV-C

Filtro de tambor HEPA 3 em 1	2415110
Filtro de carbono ativo (pacote de 3)	2415109
Lâmpada de UV-C	2415111

CUIDADOS E MANUTENÇÃO

Como aceder à câmara do filtro

1. Desligue sempre o purificador premindo o botão de alimentação e retirando a ficha da tomada.
2. Com cuidado, coloque a unidade de lado no chão para expor a tampa e o botão do filtro.
3. Rode o botão para a esquerda e retire a tampa da câmara do filtro e o filtro HEPA cilíndrico de 360° (Fig. A).

SUBSTITUIÇÃO DO FILTRO HEPA

1. O indicador do filtro HEPA acende a vermelho quando for necessário substituir o filtro HEPA cilíndrico completo.
2. Com cuidado, puxe para fora o filtro HEPA cilíndrico, preso à tampa do filtro (Fig. B).
3. Prenda o filtro HEPA de substituição à tampa do filtro (Fig. C).
4. Com cuidado, posicione de novo a tampa do filtro e o filtro cilíndrico no interior da câmara do filtro sobre a rosca e rode o botão para a direita até o botão e a tampa do filtro ficarem bem presos (Fig. D).
5. aLigue a ficha do purificador à tomada e ligue o purificador; prima o botão Reiniciar (Reset) até o indicador vermelho do filtro HEPA desligar.

Nota: O filtro HEPA cilíndrico (consulte a página 114) inclui 3 camadas: Pré-filtro Lavável, Filtro de Carbono Ativo e Filtro HEPA.

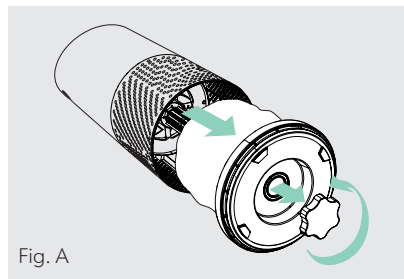


Fig. A

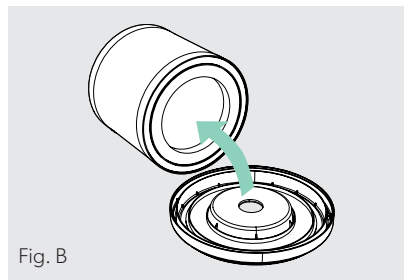


Fig. B

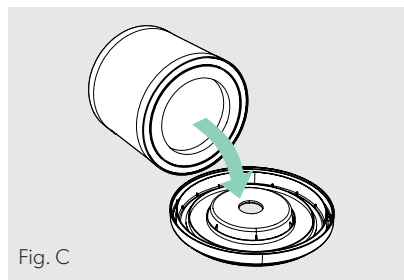


Fig. C

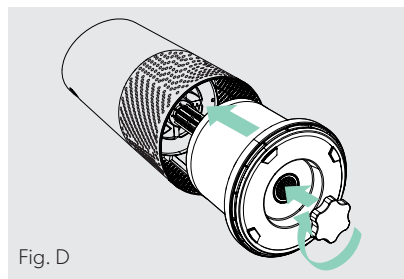


Fig. D

SUBSTITUIÇÃO DO FILTRO DE CARBONO ATIVO

1. O indicador do filtro de carbono acende a vermelho quando for necessário substituir a camada de carbono.
2. Com cuidado, retire o pré-filtro das tiras tipo Velcro (Fig. E).
3. Com cuidado, retire a camada de carbono gasta das tiras tipo Velcro (Fig. F).
4. Enrole nova camada de carbono em volta do tambor do filtro e fixe-o às tiras tipo Velcro (Fig. G).
5. Enrole o pré-filtro em volta da camada de carbono e fixe-o às tiras tipo Velcro (Fig. H).
6. Depois de ligado o purificador, prima o botão Reiniciar (Reset) até o indicador vermelho do filtro de carbono desligar.

Nota: o pacote de 3 filtros de carbono ativo (consulte a página 114) permite efetuar as 3 substituições necessárias do filtro de carbono antes de ter de substituir o filtro HEPA completo (consulte a página 115).

LAVAGEM DO PRÉ-FILTRO

1. Recomendamos que inspecione visualmente o pré-filtro todos os meses e que o limpe quando necessário. No mínimo deve lavar o pré-filtro à mão sempre que tiver de mudar o filtro de carbono ativo.
2. Com cuidado, retire o pré-filtro lavável das tiras tipo Velcro (Fig. E).
3. Lave cuidadosamente com água corrente – deixe o pré-filtro secar ao ar antes de o tornar a instalar.
4. Enrole o pré-filtro em volta do tambor do filtro e fixe-o às tiras tipo Velcro (Fig. H).

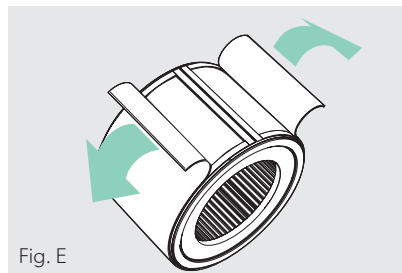


Fig. E

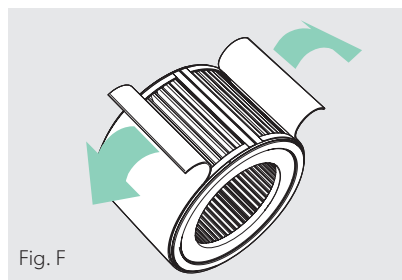


Fig. F

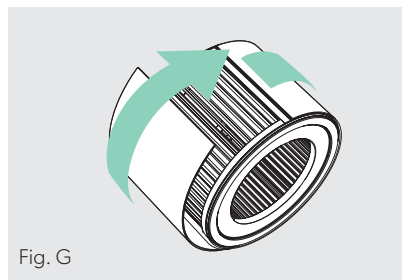


Fig. G

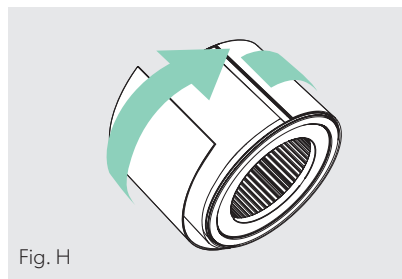




Fig. H

SUBSTITUIÇÃO DA LÂMPADA DE UV-C

1. O indicador  acende a vermelho quando for necessário substituir a lâmpada de UV-C.
2. Retire o filtro HEPA cilíndrico (Fig. A) e com uma chave de fendas retire os 4 parafusos que prendem a carcaça da lâmpada de UV-C (Fig. I).
3. Com cuidado, retire a carcaça da lâmpada de UV-C (Fig. J).
4. Retire a lâmpada de UV-C do casquilho do purificador (Fig. K).
5. A lâmpada de UV-C de substituição (consulte a página 114) encaixa diretamente no mesmo casquilho (Fig. L).
6. Volte a colocar a carcaça da lâmpada de UV-C no seu lugar e com a chave de fendas aperte os parafusos de fixação.
7. Depois de ligado o purificador, prima o botão Reiniciar (Reset) até a cor do indicador  da lâmpada ficar branca.

Nota: Após a substituição do emissor UV-C, descarte-o nas instalações de coleta local de REEE.

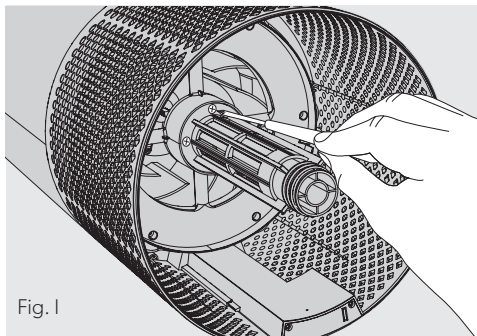


Fig. I

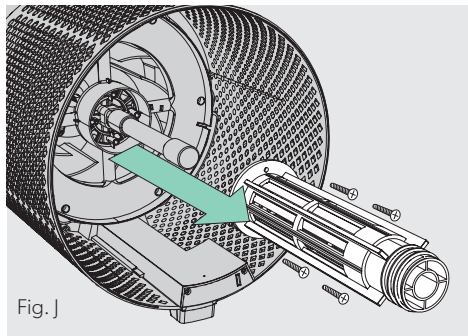


Fig. J

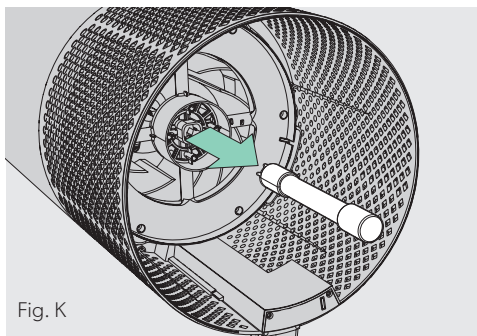


Fig. K

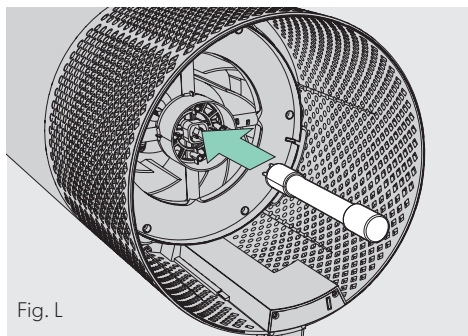


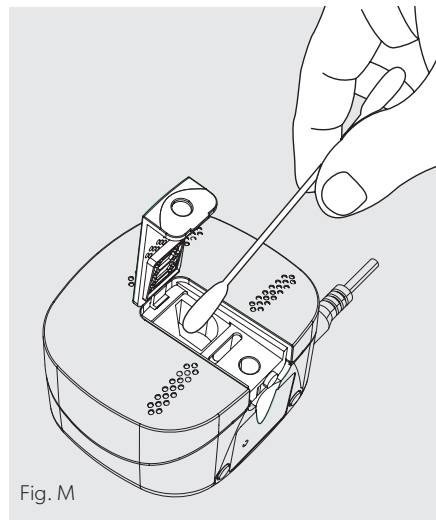
Fig. L

LIMPEZA DO SENSORPOD™

Limpeza do sensor da qualidade do ar

O SensorPod™ utiliza uma luz infravermelha para detetar partículas e, portanto, é importante limpar a câmara do sensor de poeiras a cada 1 ou 2 meses, para retirar poeira ou partículas que possam afetar a precisão das leituras do sensor.

1. Desligue o SensorPod retirando o cabo de alimentação da tomada.
2. Abra a porta de fácil acesso na frente levantando-a a 90°.
3. Com um cotonete humedecido limpe a lente e a área de admissão do sensor de poeiras (Fig. M).
4. Com um cotonete seco limpe toda a humidade restante.
5. Feche a tampa, baixando-a e deslizando-a para a sua posição até ouvir um clique.



PERGUNTAS FREQUENTES E IDENTIFICAÇÃO E RESOLUÇÃO DE PROBLEMAS

<p>Onde devo colocar o SensorPod™?</p>	<p>Em qualquer lugar onde deseje medir a qualidade do ar do compartimento!</p> <p>Para obter ótimos resultados coloque o SensorPod™ a uma distância até 15 metros do purificador de ar, sobre uma mesa ou superfície de trabalho e na linha de visão do purificador. Em modo AUTOMÁTICO o purificador distribui ar limpo até o SensorPod™ detetar um nível aceitável de qualidade do ar.</p>
<p>Com que frequência devo substituir os filtros?</p>	<p>Isso é fácil! Os indicadores de substituição do purificador indicar-lhe-ão quando chegar a altura de substituir o filtro de carbono, o filtro HEPA ou a lâmpada de UV-C. Planeie substituir o filtro de carbono ativo de 3 em 3 ou de 4 em 4 meses, o filtro HEPA a cada 12 a 15 meses e a lâmpada de UV-C a cada 1 a 3 anos.</p>
<p>Com que frequência devo lavar o pré-filtro?</p>	<p>O pré-filtro capta as partículas maiores e mantém a eficiência dos outros filtros; por isso recomendamos que examine visualmente o pré-filtro todos os meses e que o lave quando necessário. Outro bom hábito é o de lavar o pré-filtro sempre que substituir o filtro de carbono.</p>
<p>Com que frequência devo limpar o sensor de poeiras do SensorPod?</p>	<p>Para medidas mais precisas da qualidade do ar recomendamos que limpe a superfície do sensor de poeiras a cada 1 a 2 meses.</p>
<p>O purificador não liga.</p>	<p>Verifique que o cabo de alimentação está bem ligado tanto à tomada de parede como ao purificador. Verifique se existe um corte de corrente na tomada ligando a essa tomada uma lâmpada ou um dispositivo que funcione.</p> <p>Verifique que o filtro HEPA está corretamente instalado na câmara do filtro.</p> <p>Contacte-nos se o problema persistir! (página 121).</p>

PERGUNTAS FREQUENTES E IDENTIFICAÇÃO E RESOLUÇÃO DE PROBLEMAS

<p>O purificador não aceita o modo AUTOMÁTICO.</p> <p>ou</p> <p>Os indicadores da qualidade do ar estão desligados.</p> <p>ou</p> <p>O indicador de sinal do purificador está a piscar.</p>	<p>Em primeiro lugar, verifique que o SensorPod está ligado a uma tomada e que a sua luz está acesa e não pisca.</p> <p>Em seguida, verifique que o SensorPod está dentro da distância recomendada do purificador (até 15 m).</p> <p>Se se verificarem ambas as condições acima e a ligação continuar a falhar, consulte as instruções abaixo sobre como reparar a ligação do SensorPod.</p>
<p>Perdi o SensorPod!</p>	<p>Não se preocupe! Contacte a nossa equipa de apoio ao cliente e poderá encomendar outro SensorPod. Siga as instruções de emparelhamento abaixo para emparelhar o novo SensorPod com o purificador existente!</p>

Emparelhamento do SensorPod™ e Purificador

O SensorPod comunica com o purificador por meio de sinais de radiofrequência e será emparelhado na linha de produção, ficando pronto a ser utilizado assim que abrir a caixa. No caso raro de o sinal do purificador ficar interrompido, a luz indicadora deste começa a piscar. Bastam umas etapas simples para recomençar a ligação.

1. Retire a ficha do SensorPod da tomada.
2. MANTENHA PREMIDO o botão de alimentação do purificador durante 3 segundos e ouvirá dois sinais audíveis.
3. Ligue a ficha to SensorPod à tomada e use algo com uma ponta fina (como por exemplo um clipe de papel) para premir e MANTER PREMIDO o botão

de emparelhamento na face inferior do SensorPod durante 5 a 7 segundos (Fig. N).

4. A ligação fica estabelecida quando o indicador de sinal do purificador acender sem piscar e os indicadores da qualidade do ar acendem.

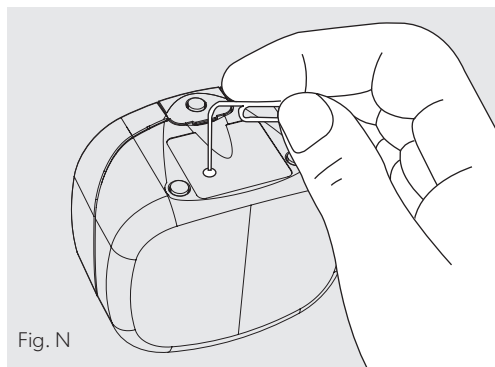


Fig. N

GARANTIA

A operacionalidade desta máquina está garantida por um período de dois anos a contar da sua data de compra, em condições de utilização normal. No período de garantia, a ACCO efetuará a reparação ou substituição gratuita da máquina defeituosa, segundo o seu critério exclusivo. Os defeitos resultantes de má utilização ou utilização imprópria não estão abrangidos por esta garantia. É necessária a apresentação de prova da data de compra. As reparações ou alterações efetuadas por pessoas não autorizadas pela ACCO anularão esta garantia. Estamos empenhados em assegurar que o desempenho dos nossos produtos está de acordo com as especificações indicadas. Esta garantia não afeta os direitos legais dos consumidores ao abrigo da legislação nacional aplicável que regula a venda de mercadorias.

APOIO TÉCNICO

Agradecemos ter acolhido TruSens™ na sua casa. Os nossos clientes são a razão da nossa existência e esforçamo-nos por conceber produtos adequados ao seu estilo de vida. Se tiver dúvidas ou nos quiser dar o seu feedback, contacte-nos!

Visite o nosso website em www.leitz.com/trusens

Envie-nos um e-mail para comercial@cplink.pt

Ligue para nós pelo número [216047498](tel:216047498)

Para registar e ativar a sua garantia, vá para www.leitz.com/register

TruSens™

Velkommen til ren luft med TruSens. Tak, fordi du har valgt os som din ledsager på din rejse mod velvære.

Den luft, du indånder, bør være ren, uanset hvor i et rum du befinder dig. TruSens SensorPod™, PureDirect™-teknologi og 360°-filtrering sikrer, at hele rummet kan nyde godt af renere luft.

SIKKERHEDSOPLYSNINGER

LÆS OG GEM DENNE VEJLEDNING

Træk apparatets stik ud, eller afbryd strømmen inden udskiftning af filtre eller UV-C-kilden, eller når apparatet ikke er i brug.



ADVARSEL: For at reducere risikoen for brand eller elektrisk stød må denne luftrenser ikke bruges med en integreret hastighedsstyring.

Betjen ikke luftrenseren, hvis ledningen eller stikket er beskadiget, eller hvis stikkontakten er løs. Hvis ledningen er beskadiget, skal den af sikkerhedsmæssige hensyn udskiftes af fabrikanten, dennes serviceagent eller andet uddannet personale. Før ikke ledningen under tæpper, løbere eller lignende belægning. Før ikke ledningen under møbler eller apparater. Placer ledningen på afstand af travle områder, og hvor der ikke er fare for, at folk snubler over den.



ADVARSEL: Der kan opstå hud- eller øjenskader som følge af direkte eksponering for det lys, der produceres af UV-C-kilden i dette apparat. Forkert brug af apparatet eller beskadigelse af kabinettet kan medføre udslip af farlig UV-C-stråling. UV-C-stråling kan selv i små doser forårsage skader på øjne og hud. Sluk altid for strømmen inden udskiftning af lyskilden eller serviceeftersyn. Udskift UV-C-kilden med artikel 2415108 (for Z-2000) eller 2415111 (for Z-3000) fremstillet af ACCO Brands.

- Fjern al emballage inden brug, herunder posen, der dækker filteret.
- Apparater, der er synligt beskadigede, må ikke betjenes.
- Dette apparat må kun tilsluttes en stikkontakt, der svarer til det medfølgende stiks type og mærkekapacitet, som er angivet på mærkepladen.
- Placer luftrenseren i nærheden af stikkontakten, og undgå at bruge forlængerledninger.
- Dette apparat kan bruges af børn fra 8 år og derover samt af personer med reducerede fysiske, sensoriske eller mentale evner eller manglende erfaring og viden, forudsat at de er under opsyn eller instrueres i brugen af apparatet på sikker vis og forstår risiciene, der er forbundet dermed.
- Børn må ikke lege med, rengøre eller forsøge at vedligeholde apparatet.
- Udskift UV-C-kilden med den model, der er angivet i denne manual.
- Forsøg ikke selv at udføre eftersyn eller reparationer på produktet.
- Brug kun luftrenseren og SensorPod™ med det medfølgende strøm kabel.
- Apparatet må kun rengøres med en fugtig klud. Brug ikke opløsningsmidler eller blegemiddel.
- Sørg for, at apparatet altid er placeret på en fast, jævn flade før idriftsætning.
- Bloker eller tilstop ikke luftindtræk eller -udtræk.
- Før ikke fingre eller genstande ind i luftindtræk eller -udtræk.
- Når luftrenseren er i standby-tilstand, sender SensorPod™ stadig et signal/data.

Driftsfrekvens

Trådløst: 2462 MHz

Maks. sendestyrke (EIRP)

Trådløst: 0 dBm

Antenneforstærkning

Trådløst: 2 Dbi

Hermed erklærer ACCO UK Ltd, at radioudstørsmodellerne Leitz TruSens-luftrensere Z-2000/Z-3000 er i overensstemmelse med direktiv 2014/53/EU.

EU-overensstemmelseserklæringens fulde ordlyd er tilgængelig på følgende internetadresse:
<https://declarations.accobrands.com/>

Der skal opretholdes en afstand på mindst 0,2 meter mellem brugeren og enheden for at overholde kravene for eksponering for radiofrekvenser.

Affald af elektrisk og elektronisk udstyr (WEEE)

Når produktet er slidt op, anses det for at være WEEE. I denne forbindelse er det vigtigt at bemærke følgende: WEEE må ikke bortskaffes sammen med usorteret husholdningsaffald. Det skal indsamles særskilt, så det kan skilles ad med henblik på genanvendelse, genbrug og nyttiggørelse af komponenter og materialer (som brændstof til energiodnyttelse i produktionen af elektricitet).

Kommunerne har etableret offentlige indsamlingssteder til indsamling af WEEE gratis for dig.

Sørg for at returnere WEEE til det indsamlingsanlæg, der ligger tættest på dit hjem eller din arbejdsplads.

Hvis du har problemer med at finde et indsamlingsanlæg, skal den detailforretning, hvor du har købt produktet, tage imod dit WEEE.

Hvis du ikke længere har kontakt med detailforretningen, kan du kontakte ACCO for at få vejledning.

Genanvendelse af WEEE har til formål at beskytte miljøet, beskytte menneskers sundhed, bevare råstoffer, forbedre en bæredygtig udvikling og sikre en bedre råstofforsyning i Den Europæiske Union. Dette skal opnås gennem genvinding af værdifulde sekundære råstoffer og reduktion af bortskaffelse af affald. Du kan bidrage til et nå disse mål ved at returnere WEEE til et indsamlingsanlæg.

Dit produkt er mærket med WEEE-symbolet (skraldespand med et X over). Dette symbol er beregnet til at informere dig om, at WEEE ikke må bortskaffes som usorteret husholdningsaffald.

Leitz TruSens luftrensere er også udstyret med en UV-C emitter. Ved udskiftning af denne vare (i løbet af produktets levetid) skal disse også returneres og bortskaffes på dit lokale WEEE-opsamlingsanlæg.

Yderligere information og installationsvejledninger / videoer til UV-C emitter kan findes på www.leitz.com

FREMHÆVEDE FUNKTIONER



SensorPod™

Ekstern luftkvalitetsmåler, der sikrer renere luft dér, hvor du har brug for det.



PureDirect™-teknologi

Uafhængige laboratorietests bekræfter, at to luftstrømme er bedre end én, og at de spreder luften effektivt og mere behageligt i hele rummet.



Informerer og tilpasser sig

En farvekodet, oplyst ring giver dig yderligere oplysninger ved angivelse af luftkvaliteten i realtid.



360° luftrensning

HEPA-filteret indfanger forurenende stoffer og VOC-gasser/-lugte fra alle retninger. UV-C-lys dræber mikrober og bakterier, der fanges i filteret.

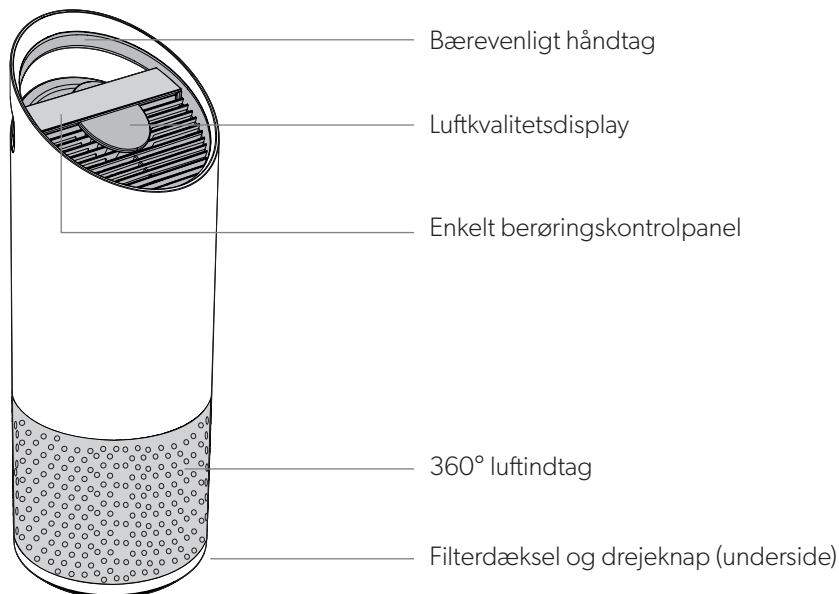


Gennemtænkt udførelse

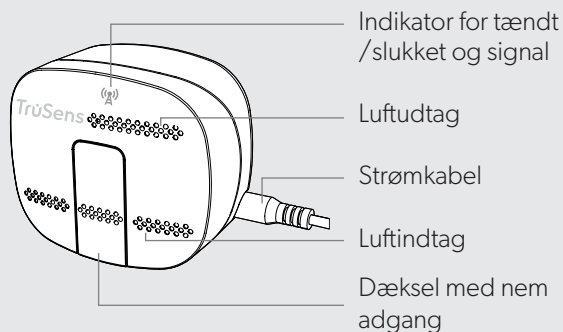
Enestående funktionalitet i et moderne design, der passer til ethvert miljø.

PRODUCT OVERVIEW

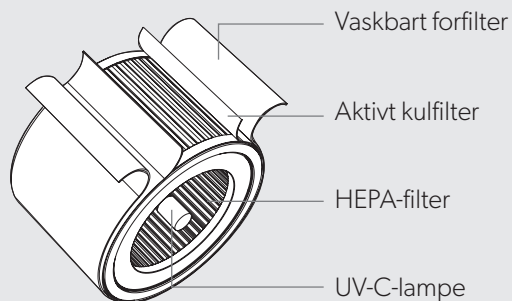
Luftrensere



SensorPod™



Filter og UV-C-lampe

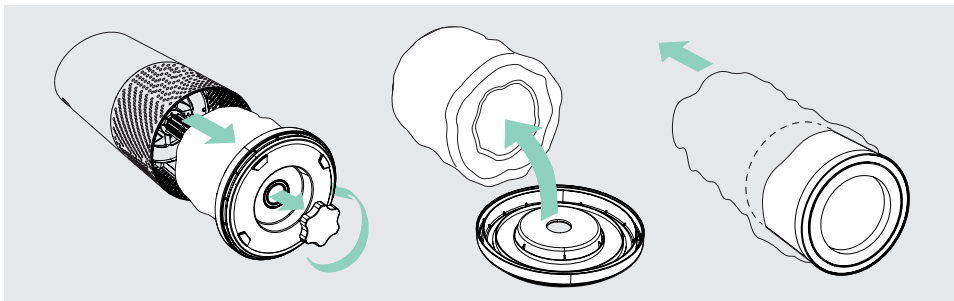


KOM GODT I GANG



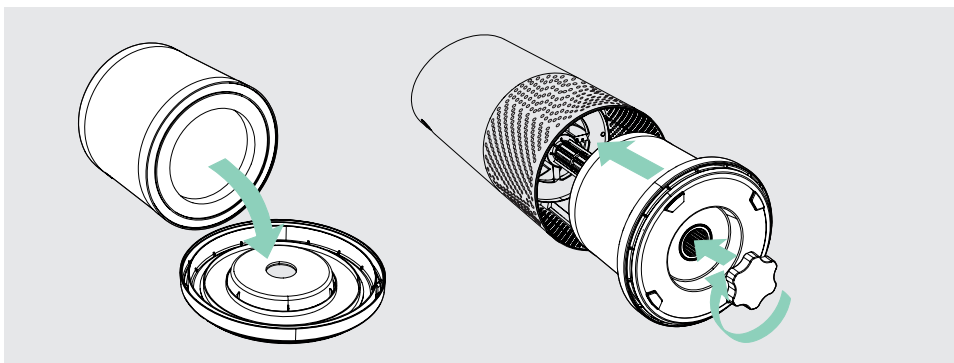
1. Fjern plastikposen fra filteret

Skru bunddækslet af, og fjern plastikposen fra filteret.



2. Sæt filteret på igen

Fastgør filteret til bunddækslet, og genmonter det i luftrenseren.



3. Opsætning

Tilslut din SensorPod.

Stil din SensorPod på højkant på en bordplade eller arbejdsflade i den modsatte ende af rummet og uden nogen forhindringer mellem den og luftrenseren.

Sæt luftrenserens stik i stikontakten, og tænd for strømmen.

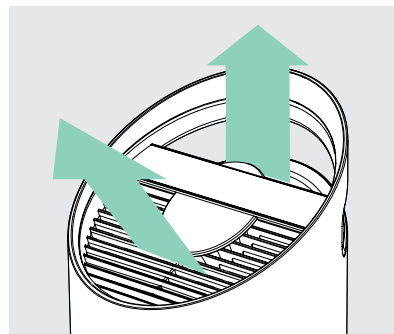
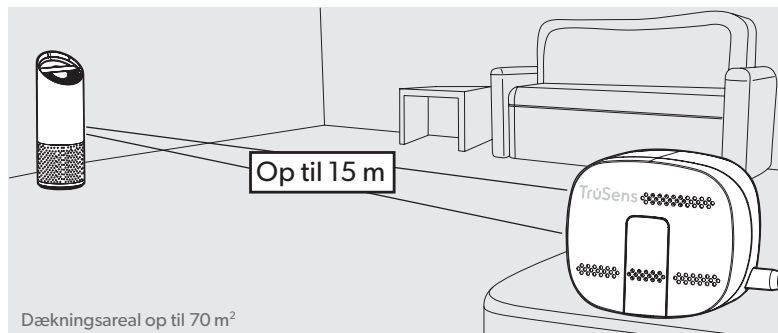
Anbring luftrenseren på en plan overflade og væk fra forhindringer

- Hvor luften kan strømme frit ind i luftrenseren fra alle sider
- Undgå inventar såsom sengetøj og gardiner samt kilder til varme eller fugt.

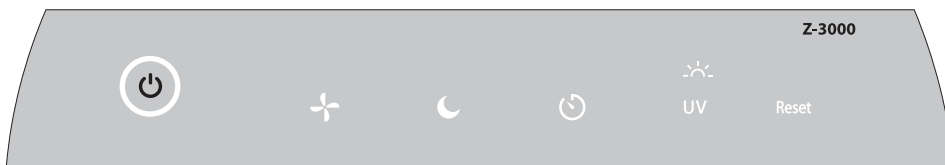
Signalstyrken kan variere afhængigt af placering. Se side 137 hvis det, mod forventning, ikke virker.

4. Tag hul på et liv med renere luft!

Luftrenseren justerer automatisk ventilatorhastighederne baseret på luftkvalitets aflæsningerne fra SensorPod, så den unikke PureDirect™-teknologi leverer rensede luft til hele rummet!



BETJENINGSPANEL



Tænd/sluk-knap



Indstillinger for ventilatorhastighed

Vælg ventilatorhastighed eller AUTO-tilstand. I AUTO-tilstand justerer luftrenseren automatisk ventilatorhastigheden baseret på luftkvalitets aflæsningerne fra SensorPod.

(AUTO-tilstand er kun tilgængelig, når luftrenseren danner par med SensorPod og modtager et signal.)



Nattilstand

Displayets belysning slukkes – så du slipper for generende lys, når du sover – uden at gå på kompromis med luftrenserens effektivitet. Du skal blot trykke på knappen igen for at få alle displayets funktioner tilbage.





Timer-tilstand

Luftrenseren slukkes automatisk efter 2, 4, 8 eller 12 timer. Hvis du vil annullere denne nedtælling, skal du blot trykke på knappen, indtil timer-indstillingen ikke vises mere.



UV-tilstand

UV-C-lampen i luftrenserens filterkammer er tændt, når symbolet  lyser hvidt.

Symbolet  lyser rødt, når det er tid til at udskifte UV-C-lampen.

(Se side 134 for at få anvisninger)

Reset

Nulstilling af filter og UV-indikator

“HEPA”-, “Carbon”- og “UV”-indikatorerne lyser rødt, når det er tid til at udskifte den respektive komponent. Når én af indikatorerne er aktiveret, skal du blot holde Reset-knappen nede i 3 sekunder for at nulstille indikatoren.

Når to eller flere indikatorer er aktiveret, skal du trykke på Reset-knappen for at vælge den rette indikator (den valgte indikator blinker), før du holder Reset-knappen nede i 3 sekunder for at nulstille indikatoren.

(Se side 132-134 for anvisninger vedrørende udskiftning. Følg ovenstående anvisninger for nulstilling af indikatoren, efter du har udskiftet et filter)

LUFTKVALITETSDISPLAY

Feedback i realtid

Den revolutionære SensorPod™ vurderer luftens beskaffenhed ved at måle tilstedeværelsen af både små (PM2.5) og større (PM10) partikler. Den beregner den overordnede luftkvalitet ved hjælp af en unik algoritme, der reagerer på faktiske stigninger i mængden af forurenende stoffer uden at overreagere, når en person går ind i rummet eller sætter sig i sofaen.

Det oplyste, farvekodede display angiver god, moderat eller dårlig luftkvalitet, og den numeriske værdi sørger for et større detaljeniveau.

I AUTO-tilstand justerer luftrenseren automatisk ventilatorhastigheden på baggrund af disse luftkvalitetsaflysninger.

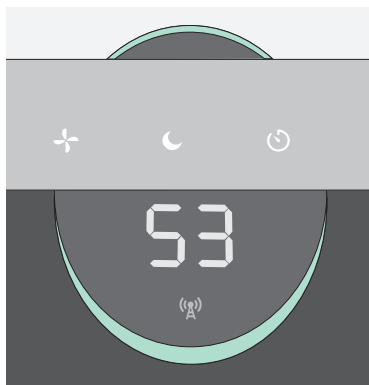
GOD

BLÅ | 0 - 50



MODERAT

GUL | 50 - 100



DÅRLIG

RØD | 100 - 500



SPECIFIKATIONER

Luftindtag	360°
Luftudbytte to gange i timen	70 m ²
Luftleveringstype	PureDirect™
Sensor	SensorPod™, effektiv op til 15 m fra luftrenseren
Indstillinger for ventilatorhastighed	Whisper, 1, 2, 3, Turbo
Rensningsniveauer	Vaskbart forfilter, aktivt kulfilter, HEPA, UV-C-lampe
Timer-indstillinger	2, 4, 8, 12 timer
Filterudskiftningsindikatorer	Carbon, HEPA, UV
Støj	32 - 66 dB
Mål	263 x 263 x 726 mm
Vægt	5,7 kg
Motortype	Jævnstrømsmotor
Strømkrav	220-240v 50/60H 0,5A
Strømforbrug	68 W
Garanti	2 år

Udskiftningsfiltre og UV-C-lampe

3-i-1 HEPA-tromlefilter	2415110
Aktivt kulfilter (3-pak)	2415109
UV-C-lampe	2415111

PLEJE OG VEDLIGEHOLDELSE

Sådan får du adgang til filterkammeret

1. Sluk altid luftrenseren ved at trykke på tænd/sluk-knappen og tage stikket ud af kontakten.
2. Læg forsigtigt enheden ned på siden på gulvet, så filterkammerets dæksel og drejeknap er blotlagt.
3. Drej drejeknappen mod uret, og fjern filterkammerdækslet og 360° HEPA-tromlefilteret (fig. A).

UDSKIFTNING AF HEPA-FILTERET

1. HEPA-indikatoren lyser rødt, når det er tid til at udskifte hele HEPA-tromlefilteret.
2. Træk forsigtigt HEPA-tromlefilteret af filterdækslet (fig. B).
3. Fastgør det nye HEPA-filter på filterdækslet (fig. C).
4. Anbring forsigtigt filterdækslet og tromlefilteret på gevindskæringen i filterkammeret igen, og drej drejeknappen med uret, indtil drejeknappen og filterdækslet er forsvarligt fastgjort (fig. D).
5. Tilslut og tænd luftrenseren, og hold Reset-knappen nede, indtil den røde HEPA-indikator slukkes.

Bemærk: HEPA-tromlefilteret (se side 131) omfatter 3 lag: Vaskbart forfilter, aktivt kulfilter og HEPA.

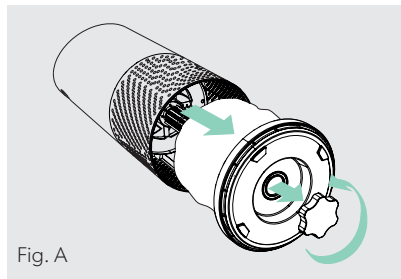


Fig. A

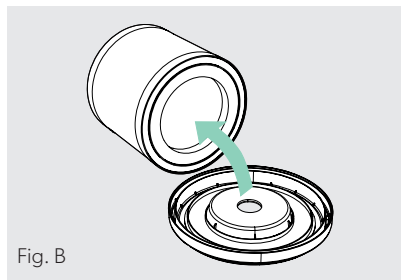


Fig. B

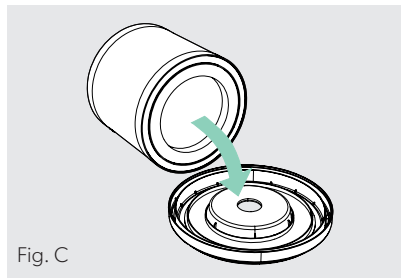


Fig. C

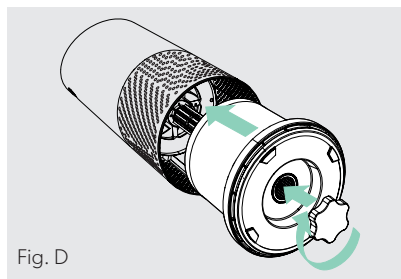


Fig. D

UDSKIFTNING AF DET AKTIVE KULFILTER

1. Indikatoren for kulstoffilteret lyser rødt, når det er tid til at udskifte kulstoflaget.
2. Træk forsigtigt forfilteret af fastgørelsesstrimlerne (fig. E).
3. Træk forsigtigt det brugte kullag af fastgørelsesstrimlerne (fig. F).
4. Læg et nyt kullag rundt om filtertromlen, og fastgør det til de samme fastgørelsesstrimler (fig. G).
5. Læg forfilteret rundt om kullaget, og fastgør det til fastgørelsesstrimlerne (fig. H).
6. Når luftrenseren er tændt, skal du holde Reset-knappen nede, indtil den røde kulfilterindikator slukkes.

Bemærk: Pakken med de tre aktive kulfiltre (se side 131) dækker de tre udskiftninger af kulstoffilteret, der kræves mellem hver enkelt udskiftning af HEPA-tromlefilteret (se side 132).

VASK AF FORFILTERET

1. Vi anbefaler, at du efterser forfilteret hver måned og rengør det efter behov. Du skal som minimum håndvaske forfilteret hver gang, du udskifter det aktive kulfilter.
2. Træk forsigtigt det vaskbare forfilter af fastgørelsesstrimlerne (fig. E).
3. Skyl det forsigtigt med rindende vand – lad forfilteret lufttørre, inden du monterer det igen.
4. Læg forfilteret rundt om filtertromlen, og fastgør det til fastgørelsesstrimlerne (fig. H).

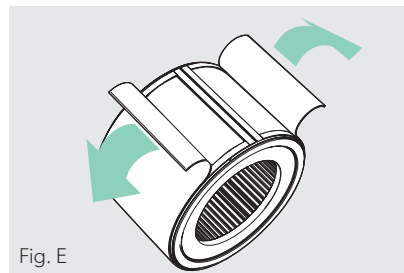


Fig. E

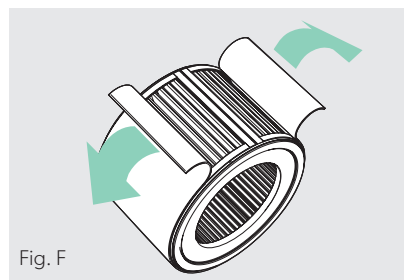


Fig. F

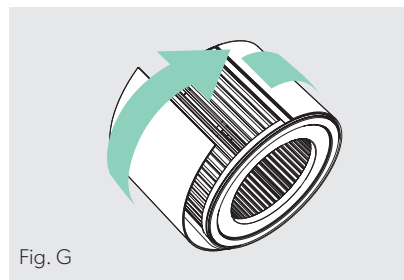


Fig. G

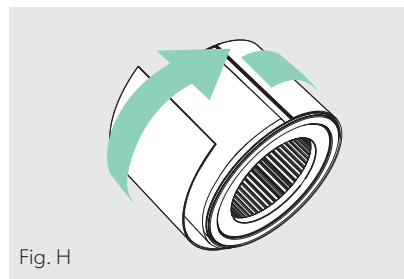



Fig. H

UDSKIFTNING AF UV-C-LAMPEN

1. Indikatoren  lyser rødt, når det er tid til at udskifte UV-C-lampen.
2. Fjern HEPA-filtertromlen (fig. A), og anvend en skruetrækker til at fjerne de fire skruer, der fastgør UV-hylsteret (fig. I).
3. Fjern forsigtigt UV-hylsteret (fig. J).
4. Fjern UV-C-lampen fra soklen i luftrenseren (fig. K).
5. Den nye UV-C-lampe (se side 131) skal sættes direkte i samme sokkel (fig. L).
6. Monter UV-hylsteret igen, og brug en skruetrækker til at tilspænde fastgørelsesskruerne.
7. Når luftrenseren er tændt, skal du holde Reset-knappen nede, indtil indikatoren lyser hvidt.

Bemærk: Efter udskiftning af UV-C-kilden skal du bortskaffe den på dit lokale indsamlingssted for affald af elektrisk og elektronisk udstyr.

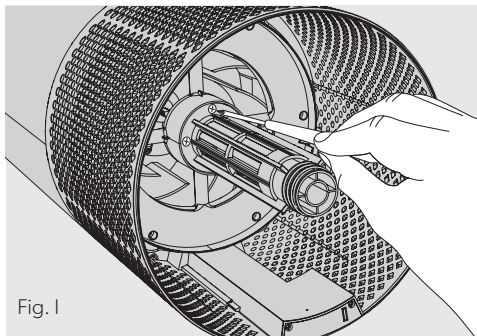


Fig. I

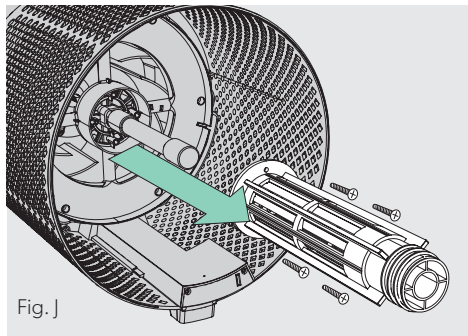


Fig. J

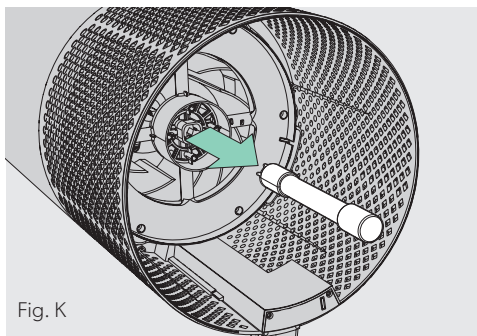


Fig. K

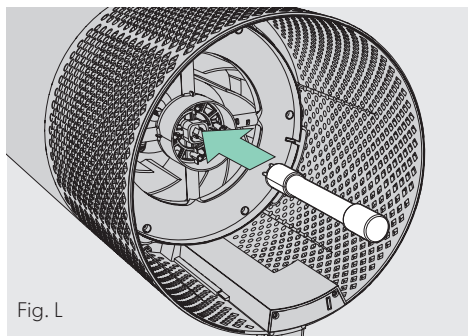


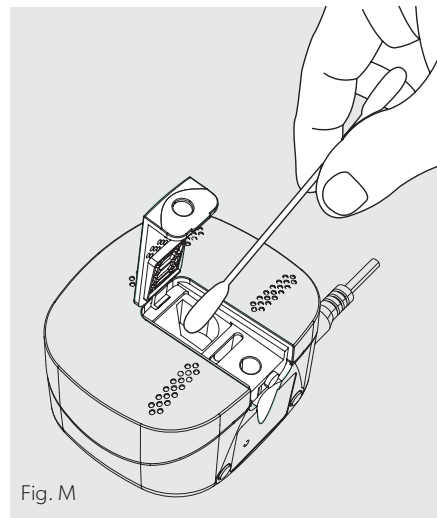
Fig. L

RENGØRING AF SENSORPOD™

Rengøring af luftkvalitetssensoren

SensorPod™ anvender infrarødt lys til at registrere partikler, så det er vigtigt, at du rengør støvsensorkammeret hver til hver anden måned for at fjerne støv eller partikler, der kan påvirke sensorflæsningens nøjagtighed.

1. Sluk SensorPod ved at frakoble strømkablet.
2. Åbn dækslet med nem adgang på forsiden ved at løfte det i en vinkel på 90°.
3. Brug en fugtig vatpind til at tørre støvsensorens linse og indtagsområde af (fig. M).
4. Brug en tør vatpind til at fjerne eventuel tiloversblivende fugt.
5. Luk dækslet ved at sænke det og skubbe det tilbage på plads, indtil du hører et klik.



OFTE STILLEDE SPØRGSMÅL OG FEJLFINDING

<p>Hvor skal jeg placere SensorPod™?</p>	<p>Hvor som helst du vil måle luftkvaliteten i rummet!</p> <p>For at opnå de bedste resultater skal du placere SensorPod™ op til 15 meter væk fra luftrenseren på en arbejdsflade eller et bord på sigtelinje med renseren. I Auto-tilstand fortsætter luftrenseren med at udblæse ren luft, indtil SensorPod™ registrerer en acceptabel luftkvalitet.</p>
<p>Hvor ofte skal jeg udskifte filtrene?</p>	<p>Det er nemt! Luftrenserens udskiftningsindikatorer giver dig besked, når det er tid til at udskifte kul- eller HEPA-filteret eller UV-C-lampen.</p> <p>Regn med at udskifte det aktive kulfilter hver tredje til fjerde måned, HEPA-filteret hver 12.-15. måned og UV-C-lampen hvert til hvert tredje år.</p>
<p>Hvor ofte skal jeg vaske forfilteret?</p>	<p>Forfilteret fanger større partikler og bevarer de andre filters effektivitet, så vi anbefaler, at du efterser forfilteret en gang om måneden, og at du vasker det efter behov. En anden god vane er at vaske forfilteret, hver gang du udskifter kulfilteret.</p>
<p>Hvor ofte skal jeg rengøre støvsensoren i SensorPod?</p>	<p>For at opnå den mest nøjagtige måling af din luftkvalitet, anbefaler vi, at du rengør støvsensorens overflade hver til hver anden måned.</p>
<p>Luftrenseren kan ikke tændes.</p>	<p>Kontrollér, at strømkablet er tilsluttet korrekt til både stikkontakten og luftrenseren. Kontrollér, om der er strømsvigt i stikkontakten, ved at tilslutte en lampe eller et andet elapparat i nærheden til samme stikkontakt.</p> <p>Kontrollér, at HEPA-filteret er korrekt monteret i filterkammeret.</p> <p>Kontakt os, hvis du stadig har problemer! (side 138).</p>

OFTTE STILLEDE SPØRGSMÅL OG FEJLFINDING

<p>Luftrenseren indtager ikke Auto-tilstand. eller Luftkvalitetsindikatorerne er slukket. eller Luftrenserens sensorsignalindikator blinker.</p>	<p>Kontrollér først, at SensorPod er tilsluttet, og at dens lampe lyser konstant.</p> <p>Kontrollér derefter, at SensorPod er inden for luftrenserens rækkevidde (op til 15 m).</p> <p>Hvis begge forhold er bekræftet, og forbindelsen stadig ikke kan oprettes, skal du se anvisningerne nedenfor om reparation af SensorPod-forbindelsen.</p>
<p>Jeg har mistet min SensorPod!</p>	<p>Bare rolig! Kontakt vores kundeserviceteam, så du kan bestille en ny SensorPod. Følg de nemme pardannelsesanvisninger nedenfor for at parre din nye SensorPod med din eksisterende luftrenser!</p>

Pardannelse mellem SensorPod™ og luftrenseren

SensorPod kommunikerer med luftrenseren via radiofrekvenssignaler, og de parres på fabrikken, så de er klar til brug, når du åbner kassen. Hvis signalet mod forventning afbrydes, blinker luftrenserens sensorsignalindikator. Du kan reparere forbindelsen med blot et par enkle trin.

1. Frakobl SensorPod.
2. HOLD tænd/sluk-knappen på luftrenseren nede i 3 sekunder, hvorefter du hører to ringelyde.
3. Tilslut SensorPod, og brug en genstand med et smalt punkt (papirclips) til at trykke på pardannelsesknappen under SensorPod og holde den nede i 5-7 sekunder (fig. N).

4. Forbindelsen er etableret, når luftrenserens sensorsignalindikator lyser konstant, og luftkvalitetsindikatorerne tændes.

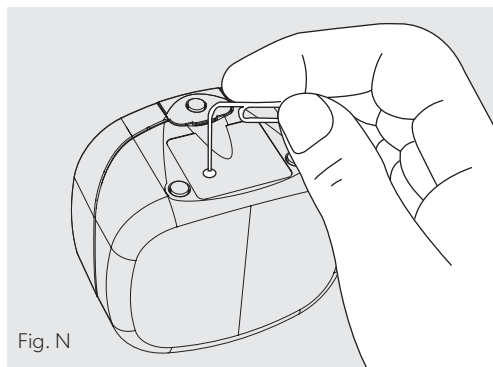


Fig. N

GARANTI

Denne maskines drift er garanteret i to år fra købsdatoen, på betingelse af at den anvendes under normale betingelser. ACCO vil efter eget skøn enten reparere eller ombytte den defekte maskine gratis inden for garantiperioden. Garantien dækker ikke fejl, der skyldes misbrug eller brug til upassende formål. Der kræves bevis for købsdatoen. Reparationer eller ændringer foretaget af personer, som ikke er autoriseret af ACCO, vil ugyldiggøre garantien. Det er vores mål at sikre, at vores produkter opfylder de anførte specifikationer. Denne garanti har ingen indflydelse på de juridiske rettigheder, som forbrugere har i medfør af købeloven.

SUPPORT

Tak, fordi du har budt TruSens™ velkommen i dit hjem. Vores kunder står i centrum af alle vores aktiviteter, og vi bestræber os på at designe produkter, der passer til din livsstil. Hvis du har spørgsmål eller feedback, er du altid velkommen til at kontakte os!

Besøg vores hjemmeside på www.leitz.com/trusens

Send en e-mail til os på kundesupportdk@acco.com

Ring til os på +45 38 16 78 00

Gå til til at registrere og aktivere din garanti www.leitz.com/register

TruSens™

Tervetuloa nauttimaan puhtaasta ilmasta TruSens-ilmanpuhdistimen kanssa. Kiitos, että saamme auttaa sinua matkalla kohti terveellisempää elämää.

Hengitysilman tulisi olla puhdasta kaikkialla huoneessa. TruSensin SensorPod™-mittari, PureDirect™-tekniikka ja 360 asteen suodatus varmistavat, että puhtaasta ilmasta voi nauttia koko huoneessa.

TURVALLISUUSTIEDOT

LUE JA SÄILYTÄ NÄMÄ OHJEET

Irrota virtajohto pistorasiasta tai kytke laite irti virtalähteestä ennen suodattimien tai UV-C-säteilijän vaihtamista tai kun laite ei ole käytössä.



VAROITUS:

Älä käytä ilmanpuhdistinta portaattomasti säädettävän nopeudensäätimen kanssa; se voi lisätä tulipalon tai sähköiskun riskiä.

Älä käytä ilmanpuhdistinta, jos sen virtajohto tai pistotulppa on vaurioitunut tai jos pistorasia on löysällä. Jos virtajohto on vaurioitunut, valmistajan, valtuutetun huoltoedustajan tai pätevän henkilön on vaihdettava johto, jotta siitä ei aiheudu vaaraa.

Älä vie johtoa mattojen tai vastaavien lattianpäällysteiden alta. Älä vie johtoa huonekalujen tai laitteiden alta. Aseta johto pois kulkureiteiltä ja alueilta, joilla siihen voi kompastua.



VAROITUS:

Katsominen suoraan laitteessa olevan UV-C-säteilijän tuottamaan valoon voi vahingoittaa ihoa tai silmiä. Laitteen epäasianmukainen käyttö tai kotelon vaurioituminen voi johtaa vaarallisen UV-C-säteilyn leviämiseen. UV-C-säteily voi vahingoittaa silmiä ja ihoa pieninäkin annoksina. Katkaise virta aina ennen lampun vaihtoa tai huoltoa. Vaihda UV-C-säteilijä tuotteeseen 2415108 (Z-2000) tai 2415111 (Z-3000), jonka valmistaja on ACCO Brands.

- Poista ennen käyttöä kaikki pakkausmateriaalit, mukaan lukien suodattimen suojapussi.
- Jos laite on selvästi vaurioitunut, sitä ei saa käyttää.
- Laitteen saa kytkeä vain pistorasiaan, joka vastaa laitteen pistotulpan tyyppiä ja tyyppikilvessä ilmoitettua arvoa.
- Aseta ilmanpuhdistin pistorasian lähelle. Älä käytä jatkojohtoja.
- Yli 8-vuotiaat lapset, fyysiseltä tai henkisesti suorituskyvyltään rajoittuneet henkilöt ja/tai laitteen käytössä kokemattomat henkilöt saavat käyttää laitetta vain siinä tapauksessa, että käyttöä valvotaan tai heitä on opastettu laitteen turvalliseen käyttöön ja he ymmärtävät siihen liittyvät vaarat.
- Lapset eivät saa leikkiä laitteella eivätkä puhdistaa tai yrittää huoltaa sitä.
- Vaihda UV-C-säteilijä tässä oppaassa ilmoitettuun malliin.
- Tuotetta ei saa yrittää huoltaa tai korjata itse.
- Käytä ilmanpuhdistinta ja SensorPod™-laitetta vain niiden mukana toimitetulla virtajohdolla.
- Käytä laitteen puhdistamiseen vain kosteaa liinaa. Älä käytä liuottimia tai valkaisuaineita.
- Varmista aina ennen käyttöä, että laite on asetettu tukevalle ja tasaiselle alustalle.
- Ilman sisään- tai ulostuloaukkoja ei saa tukkia.
- Sormia tai mitään muuta ei saa työntää ilman sisään- tai ulostuloaukkoihin.
- SensorPod™ lähettää signaalia/tietoja myös ilmanpuhdistimen ollessa valmiustilassa.

Käyttötaajuus

Langaton: 2 462 MHz

Suurin lähetysteho (EIRP)

Langaton: 0 dBm

Antennin vahvistus

Langaton: 2 dBi

ACCO UK Ltd vakuuttaa, että Leitz TruSens-ilmanpuhdistin Z-2000- ja Z-3000 -radiolaitemallit ovat direktiivin 2014/53/EU mukaisia.

EU:n vaatimustenmukaisuusvakuutuksen koko teksti on nähtävissä seuraavassa Internet-osoitteessa:

<https://declarations.accobrands.com/>

RF-altistusta koskevat turvallisuusmääräykset edellyttävät, että laitetta pidetään vähintään 20 cm:n päässä käyttäjän kehosta.

Sähkö- ja elektroniikkalaiteromu

Tuote katsotaan sähkö- ja elektroniikkalaiteromuksi sen käyttöiän päätyttyä. Siksi on tärkeää muistaa seuraavat:

Sähkö- ja elektroniikkalaiteromu täytyy loppukäsittelä erillään lajittelemattomista yhdyskuntajätteistä.

Sähkö- ja elektroniikkalaiteromu on kerättävä erikseen, jotta se voidaan purkaa ja sen osat ja materiaalit voidaan kierrättää, käyttää uudelleen ja hyödyntää (polttoaineena energian hyödyntämiseen sähköntuotannossa).

Kunnat ovat järjestäneet yleisiä sähkö- ja elektroniikkalaiteromun keräyspisteitä, joiden käyttö on maksutonta.

Palauta sähkö- ja elektroniikkalaiteromu kotia tai työpaikkaa lähinnä olevaan keräyspisteeseen.

Jos sinulla on vaikeuksia löytää keräyspistettä, tuotteen myyneen vähittäiskaupan on vastaanotettava sähkö- ja elektroniikkalaiteromu.

Jos et ole enää yhteydessä vähittäiskauppaan, ota yhteys ACCO-yhtiöön tässä asiassa.

Sähkö- ja elektroniikkalaiteromun kierrätyksen tarkoituksena on suojella ympäristöä ja ihmisten terveyttä, säilyttää raaka-aineita, parantaa kestävä kehitystä ja varmistaa hyödykkeiden parempi saatavuus Euroopan unionissa. Tavoitteeseen päästään noutamalla arvokkaita toisioraaka-aineita ja vähentämällä loppukäsittelyyn tulevan jätteen määrää. Voit vaikuttaa näiden tavoitteiden onnistumiseen palauttamalla sähkö- ja elektroniikkalaiteromusi keräyspisteeseen.

Tuotteessa on sähkö- ja elektroniikkalaiteromun merkitsemiseen käytetty tunnus (jättesäiliö, jonka päällä on X-merkintä). Tämä tunnus kertoo, että sähkö- ja elektroniikkalaiteromua ei saa loppukäsittelä yhdessä lajittelemattoman yhdyskuntajätteen kanssa.

Leitz TruSens -ilmanpuhdistimet on myös varustettu UV-C-säteilijällä. Kun tämä tuote on vaihdettu (tuotteen elinaikana), se on myös palautettava ja hävitettävä paikallisessa WEEE-keräyslaitoksessa.

Lisätietoja ja asennusoppaita / videoita UV-C-säteilijälle löytyy osoitteesta www.leitz.com

PÄÄOMINAISUUDET



SensorPod™

Erillään sijoitettava ilmanlaatumittari, joka varmistaa puhtaamman ilman juuri siellä, missä sitä tarvitaan.



PureDirect™-tekniikka

Riippumattomissa laboratoriotesteissä on todettu, että kaksi ilmavirtausta on parempi kuin yksi, ja ne liikuttavat huoneen ilmaa tehokkaammin ja mukavammin.



Tietoa ja mukautuvuutta

Värikoodattu valorengas kertoo ilmanlaadun reaaliajassa.



360 asteen puhdistus

HEPA-suodatin kerää epäpuhtauksia ja haihtuvia orgaanisia yhdisteitä kaikista suunnista. UV-C-valo tappaa suodattimeen kiinni jäävät bakteerit.

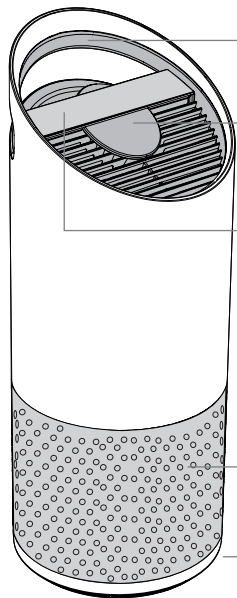


Tyylikäs ulkoasu

Erinomaiset toiminnot ja nykyaikainen muotoilu, jonka sopii mihin tahansa ympäristöön.

TUOTTEEN YLEISKATSAUS

Ilmanpuhdistin



Kätevä kantokahva

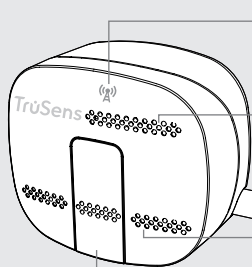
Ilmanlaatu näyttö

Yksinkertainen ohjauspaneeli

360 asteen ilmanotto

Suodattimen kansi ja nappi (alapuoli)

SensorPod™



Virran ja signaalin
merkkivalo

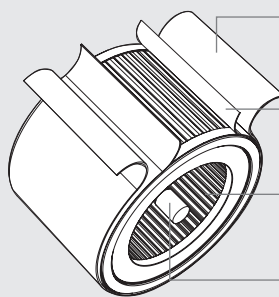
Ilman poistoaukko

Virtajohto

Ilman tuloaukko

Pölyanturin
kammion luukku

Suodatin ja UV-C-lamppu



Pestävä esisuodatin

Aktiivihiilisuodatin

Aito HEPA-suodatin

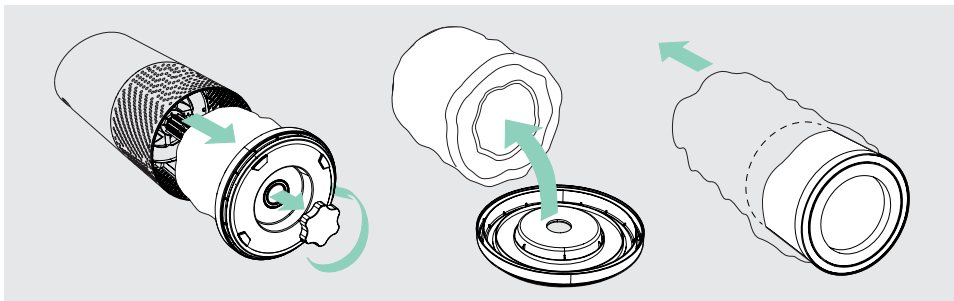
UV-C-lamppu

KÄYTÖN ALOITTAMINEN



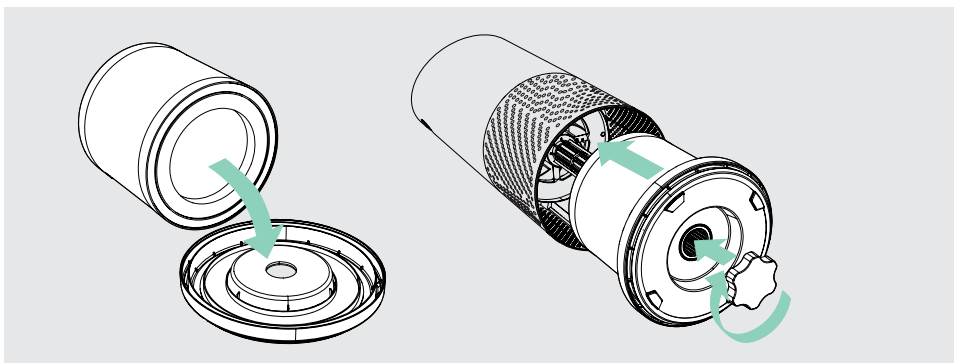
1. Poista muovipussi suodattimesta

Kierrä pohjakansi auki ja poista muovipussi suodattimesta.



2. Kiinnitä suodatin takaisin

Kiinnitä suodatin pohjakanteen ja kierrä kansi takaisin ilmanpuhdistimeen.



3. Asennus

Kytke SensorPod pistorasiaan.

Aseta SensorPod pystyasentoon huoneen vastakkaisella puolella olevalle pöydälle tai työtasolle ilmanpuhdistimen näköetäisyydelle.

Kytke ilmanpuhdistin pistorasiaan ja kytke laitteeseen virta.

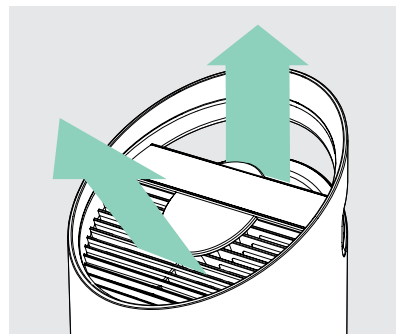
Aseta puhdistin tasaiselle ja esteettömälle pinnalle

- jossa ilma pääsee virtaamaan puhdistimeen vapaasti kaikista suunnista
- pois sisusteiden, kuten vuodevaatteiden tai verhojen, sekä kuumuuden ja kosteuden lähteiden luota.

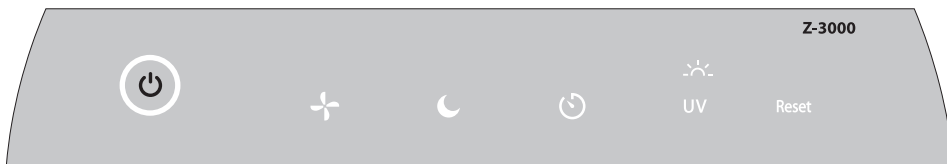
Signaalin voimakkuus voi vaihdella sijainnin mukaan. Jos signaali ei toimi, katso ohjeita sivulta 154.

4. Aloita puhtaammasta ilmasta nauttiminen!

Puhdistin säättää tuulettimen nopeuksia automaattisesti SensorPod-mittarin ilmanlaatulukemien perusteella, ja ainutlaatuinen PureDirect™-tekniikka tuottaa puhdistettua ilmaa koko huoneeseen.



OHJAUSPANEELI



Virtapainike



Tuulettimen nopeusasetukset

Valitse tuulettimen nopeus tai AUTO-tila. AUTO-tilassa puhdistin säätää tuulettimen nopeutta automaattisesti SensorPod-mittarin ilmanlaatulukemien perusteella.

(AUTO-tila on käytettävissä vain, kun puhdistin on yhdistetty SensorPod-mittariin ja vastaanottaa sen signaalia.)



Yötila

Näytön valaistus sammuu helpottamaan nukkumista, mutta puhdistimen toiminta jatkuu. Voit palauttaa näytön ominaisuudet näkyviin painamalla painiketta uudelleen.



Ajastintila

Puhdistin sammuu automaattisesti 2, 4, 8 tai 12 tunnin kuluttua. Voit peruuttaa tämän ajastuksen painamalla painiketta, kunnes ajastinaikaa ei näy.



UV-tila

Puhdistimen suodatinkammion UV-C-lamppu on päällä, kun symboli ☀️ on valkoinen. Symboli ☀️ palaa punaisena, kun UV-C-lamppu on vaihdettava uuteen. (Katso ohjeet sivulta 151).



Suodattimien ja UV-lampun merkkivalojen nollaus

”HEPA”-, ”Carbon”- ja ”UV”-merkkivalot palavat punaisina, kun ne on aika vaihtaa uusiin. Kun yksi merkkivaloista palaa, sen voi nollata pitämällä Reset (nollaus) -painiketta painettuna kolmen sekunnin ajan. Kun vähintään kaksi merkkivaloa palaa, valitse ensin merkkivalo napauttamalla Reset (nollaus) -painiketta (valittu merkkivalo vilkkuu), ja nollaa sitten merkkivalo pitämällä painiketta painettuna kolmen sekunnin ajan.

(Katso vaihto-ohjeet sivuilta 149–151. Nollaa merkkivalot yllä olevien ohjeiden mukaisesti suodattimen vaihtamisen jälkeen.)

ILMANLAATUNÄYTTÖ

Reaaliaikainen mittaus

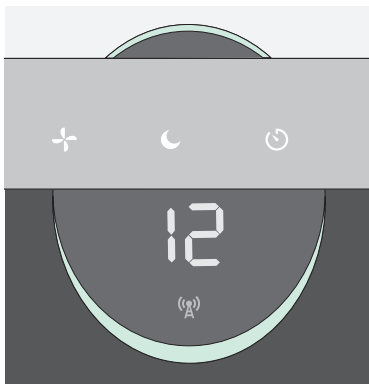
Ainutlaatuinen SensorPod™-mittari arvioi ilmanlaatua mittaamalla sekä pienten (PM_{2,5}) että suurempien (PM₁₀) hiukkasten määrää. Se laskee kokonaisilmanlaadun käyttämällä ainutlaatuista algoritmiamme, joka reagoi todellisiin epäpuhtauksiin, mutta ei ylireagoi esimerkiksi jonkun tullessa huoneeseen tai istahtaessa sohvalle.

Valaistu ja värikoodattu näyttö ilmoittaa, onko ilmanlaatu hyvä, kohtalainen vai huono, ja numeroarvo kertoo siitä tarkemmin.

AUTO-tilassa puhdistin säätää tuulettimen nopeutta automaattisesti näiden ilmanlaatulukemien perusteella.

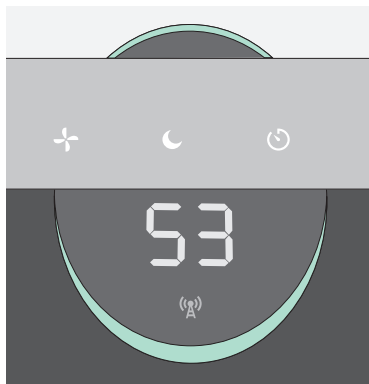
HYVÄ

SININEN | 0 - 50



KOHTALAINEN

KELTAINEN | 50 - 100



HUONO

PUNAINEN | 100 - 500



TEKNISET TIEDOT

Ilman tulo	360°
Ilma vaihtuu kaksi kertaa tunnissa	70 m ²
Ilman tuottotapa	PureDirect™
Anturi	SensorPod™, toimii jopa 15 metrin päässä puhdistimesta
Tuulettimen nopeusasetukset	Whisper (äänetön), 1, 2, 3, Turbo
Puhdistustasot	Pestävä esisuodatin, aktiivihiilisuodatin, HEPA, UV-C-lamppu
Ajastinasetukset	2, 4, 8, 12 tuntia
Suodattimen vaihtamisen merkkivalot	Carbon, HEPA, UV
Melutaso	32 - 66 dB
Mitat	263 x 263 x 726 mm
Paino	5,7 kg
Moottorin tyyppi	Tasavirtamoottori
Tehovaatimukset	220-240v 50/60H 0,5A
Virrankulutus	68 W
Takuu	2 vuotta

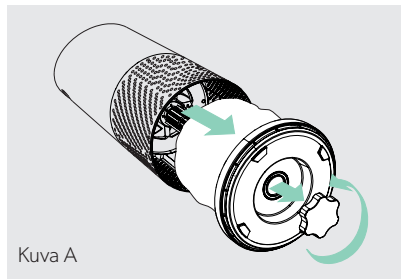
Vaihtosuodattimet ja UV-C-lamppu

3-in-1-HEPA-rumpusuodatin	2415110
Aktiivihiilisuodatin (3 kpl)	2415109
UV-C-lamppu	2415111

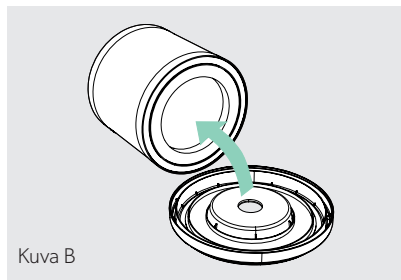
HOITO JA KUNNOSSAPITO

Suodatinkammion avaaminen

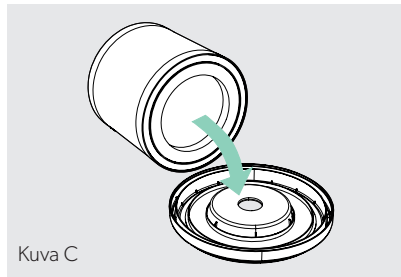
1. Katkaise aina puhdistimesta virta painamalla virtapainiketta ja irrottamalla virtajohto.
2. Aseta yksikkö varovasti lattialle niin, että pääset käsiksi suodatinkammion kanteen ja nuppiin.
3. Käännä nuppia vastapäivään ja irrota suodatinkammion kansi ja 360 asteen HEPA-rumpusuodatin (kuva A).



Kuva A



Kuva B

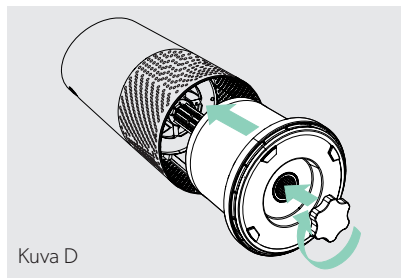


Kuva C

HEPA-SUODATTIMEN VAIHTAMINEN

1. HEPA-merkkivalo palaa punaisena, kun koko HEPA-rumpusuodatin on aika vaihtaa.
2. Vedä HEPA-rumpusuodatin varovasti irti suodatinkammion kannesta (kuva B).
3. Aseta uusi HEPA-suodatin suodatinkammion kanteen (kuva C).
4. Aseta suodatinkammion kansi ja rumpusuodatin varovasti takaisin paikalleen ja kierrä nuppia, kunnes kansi ja nuppi ovat tiukasti kiinni (kuva D).
5. Kytke virta puhdistimeen ja pidä Reset (nollaus) -painiketta painettuna, kunnes HEPA-merkkivalo sammuu.

Huomaa: HEPA-rumpusuodattimessa (katso sivu 148) on kolme kerrosta: pestävä esisuodatin, aktiivihiihtisuodatin ja HEPA-suodatin.



Kuva D

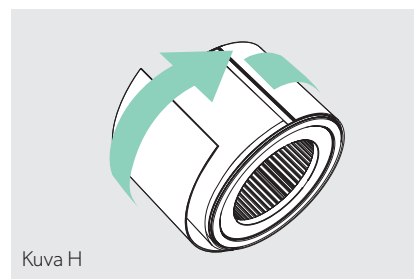
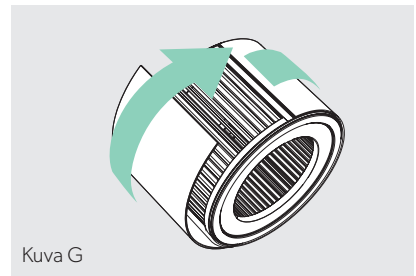
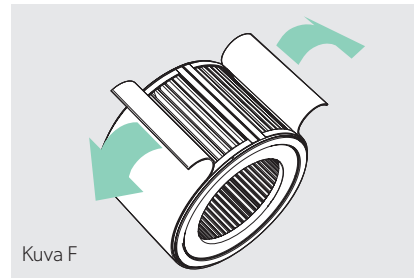
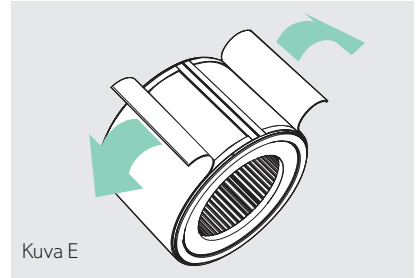
AKTIIVIHII LISUODATTIMEN VAIHTAMINEN

1. Hiilisuodattimen merkkivalo palaa punaisena, kun suodattimen hiilikerros on aika vaihtaa.
2. Irrota esisuodatin varovasti kiinnitysluskoista (kuva E).
3. Irrota käytetty hiilikerros varovasti kiinnitysluskoista (kuva F).
4. Kääri uusi hiilikerros suodatinrummun ympärille ja kiinnitä se samoihin kiinnitysluskoihin (kuva G).
5. Kääri esisuodatin hiilikerroksen ympärille ja kiinnitä se kiinnitysluskoihin (kuva H).
6. Kun puhdistimeen on kytketty virta, pidä Reset (nollaus) -painiketta painettuna, kunnes hiilisuodattimen punainen merkkivalo sammuu.



Huomaa: kolmen aktiivihii lisuodattimen sarja (katso sivu 148) riittää kolmeen hiilisuodattimen vaihtokertaan, jotka vaaditaan kunkin HEPA-rumpusuodattimen vaihtokerran välillä (katso sivu 149).

ESISUODATTIMEN PESEMINEN

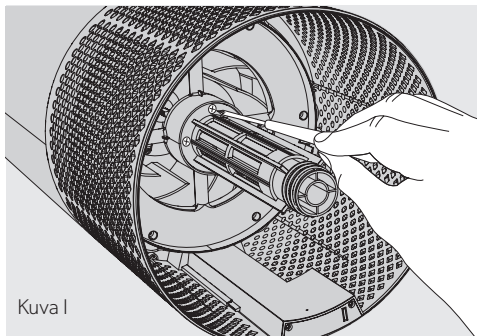
1. Suosittelemme, että esisuodatin tarkistetaan silmämääräisesti kuukausittain ja pestään tarpeen mukaan. Esisuodatin tulee pestä käsin vähintään joka kerta aktiivihii lisuodattimen vaihtamisen yhteydessä.
2. Irrota pestävä esisuodatin varovasti kiinnitysluskoista (kuva E).
3. Huuhtelee varovasti juoksevalla vedellä ja anna esisuodattimen kuivua itseksensä ennen sen kiinnittämistä takaisin.
4. Kääri esisuodatin suodatinrummun ympärille ja kiinnitä se kiinnitysluskoihin (kuva H).



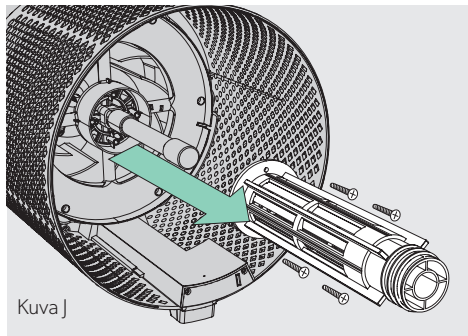
UV-C-LAMPUN VAIHTAMINEN

1. Merkkivalo  palaa punaisena, kun UV-C-lamppu on vaihdettava uuteen.
2. Irrota HEPA-suodatinrumpu (kuva A) ja irrota UV-kotelon neljä ruuvia (kuva I) ruuvitaltalla.
3. Irrota UV-kotelo varovasti (kuva J).
4. Irrota UV-C-lamppu puhdistimessa olevasta kannasta (kuva K).
5. Kiinnitä uusi UV-C-lamppu (katso sivu 148) suoraan samaan kantaan (kuva L).
6. Aseta UV-kotelo takaisin paikalleen ja kiristä kiinnitysruuvit ruuvitaltalla.
7. Kun puhdistimeen on kytketty virta, pidä Reset (nollaus) -painiketta painettuna, kunnes  merkkivalo vaihtuu valkoiseksi.

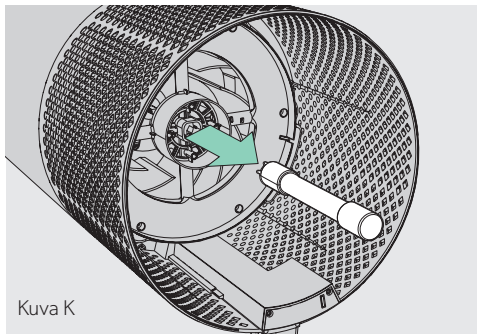
Huomaa: kun UV-C-säteilijä on vaihdettu, hävitä se paikallisessa WEEE-keräyslaitoksessa.



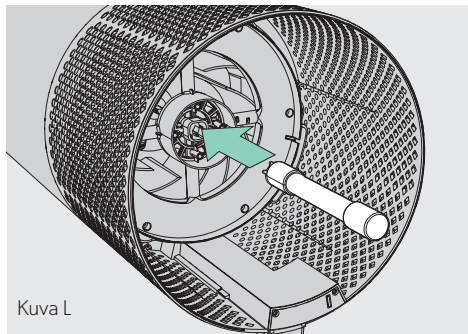
Kuva I



Kuva J



Kuva K



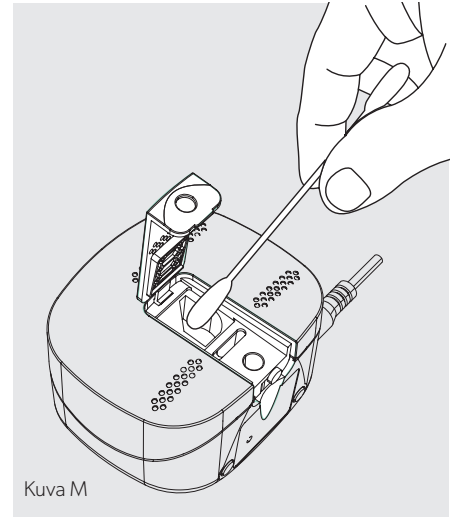
Kuva L

SENSORPOD™-MITTARIN PUHDISTAMINEN

Ilmanlaatuanturin puhdistaminen

SensorPod™ käyttää infrapunavaloa hiukkasten havaitsemiseen, ja siksi on tärkeää puhdistaa pölyanturin kammio 1–2 kuukauden välein, jotta pöly tai hiukkaset eivät vääristä anturin lukemia.

1. Katkaise SensorPod-mittarista virta irrottamalla virtajohto.
2. Avaa etuosassa oleva pölyanturin kammion luukku nostamalla se 90 asteen kulmaan.
3. Pyyhi linssi ja pölyanturin ilmanottoalue kostealla pumpulipuikolla (kuva M).
4. Pyyhi kosteus pois kuivalla pumpulipuikolla.
5. Sulje kansi laskemalla ja liu'uttamalla se takaisin paikalleen niin, että se napsahtaa kiinni.



USEIN KYSYTYT KYSYMYKSET JA VIANMÄÄRITYS

<p>Mihin SensorPod™ sijoitetaan?</p>	<p>Mihin tahansa, missä haluat mitata huoneen ilmanlaatua!</p> <p>Paras tulos saavutetaan sijoittamalla SensorPod™ työtasolle tai pöydälle korkeintaan 15 metrin päähän näköetäisyydelle ilmanpuhdistimesta. Automaattitilassa puhdistin tuottaa puhdasta ilmaa, kunnes SensorPod™ tunnistaa ilmanlaadun olevan hyväksyttävällä tasolla.</p>
<p>Kuinka usein suodattimet on vaihdettava?</p>	<p>Se selviää helposti! Puhdistimen merkkivalot ilmoittavat, milloin hiili- tai HEPA-suodatin tai UV-C-lamppu on vaihdettava.</p> <p>Aktiivihiiisuodatin on vaihdettava noin 3–4 kuukauden välein, HEPA-suodatin 12–15 kuukauden välein ja UV-C-lamppu 1–3 vuoden välein.</p>
<p>Kuinka usein esisuodatin on pestävä?</p>	<p>Esisuodatin kerää suurempia hiukkasia ja ylläpitää muiden suodatinten tehoa, joten suosittelemme, että se tarkistetaan silmämääräisesti joka kuukausi ja pestään tarpeen mukaan. Toinen hyvä tapa on pestä esisuodatin aina hiilisuodattimen vaihtamisen yhteydessä.</p>
<p>Kuinka usein SensorPod-mittarin pölyanturi on puhdistettava?</p>	<p>Mahdollisimman tarkkaa ilmanlaadun mittausta varten suosittelemme pölyanturin pinnan puhdistamista 1–2 kuukauden välein.</p>
<p>Puhdistin ei käynnisty.</p>	<p>Tarkista, että virtajohto on kytketty huolellisesti sekä pistorasiaan että puhdistimeen. Tarkista, onko pistorasiassa virtakatkos, yrittämällä sytyttää lähellä oleva valo tai kytkemällä samaan pistorasiaan jokin toinen laite.</p> <p>Tarkista, että HEPA-suodatin on asennettu oikein suodatinkammioon.</p> <p>Ota meihin yhteys, jos ongelma ei ratkea. (sivu 155).</p>

USEIN KYSYTYT KYSYMYKSET JA VIANMÄÄRITYS

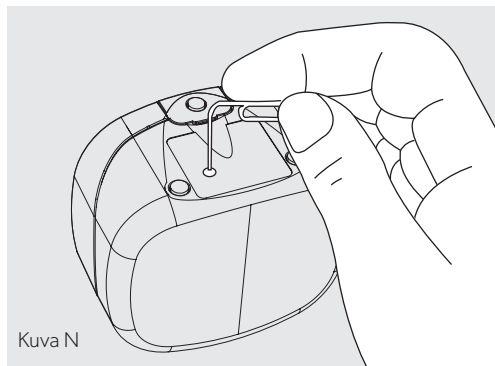
<p>Puhdistimen automaattitila ei toimi.</p> <p>tai</p> <p>Ilmanlaadun merkkivalot ovat pois päältä.</p> <p>tai</p> <p>Puhdistimen anturisignaalin merkkivalo vilkkuu.</p>	<p>Tarkista ensin, että SensorPod-mittariin on kytketty virta, ja että sen valo palaa yhtäjaksoisesti.</p> <p>Tarkista sitten, että SensorPod on kantomatkan päässä puhdistimesta (korkeintaan 15 m).</p> <p>Jos yhteys ei toimi näistä seikoista huolimatta, katso alla olevat SensorPod-yhteyden korjaamisohteet.</p>
<p>SensorPod on hävinnyt!</p>	<p>Ei hätää! Voit tilata uuden SensorPod-mittarin ottamalla yhteyden asiakastukeemme. Yhdistä uusi SensorPod ilmanpuhdistimeen seuraamalla alla olevia helppoja ohjeita.</p>

SensorPod™-mittarin yhdistäminen puhdistimeen

SensorPod kommunikoi puhdistimen kanssa radiosignaaleilla, ja sen yhteys muodostetaan tehtaalla, joten se on heti käyttövalmis pakkauksesta otettaessa. Jos signaalissa on häiriö, puhdistimen anturisignaalin merkkivalo vilkkuu. Yhteys on helppo korjata.

1. Irrota SensorPod pistorasiasta.
2. PIDÄ puhdistimen virtapainiketta painettuna kolmen sekunnin ajan, jolloin tulisi kuulua kaksi äänimerkkiä.
3. Kytke SensorPod pistorasiaan, paina pienen esineen kärjellä (esimerkiksi paperiliittimellä) sen pohjan yhteyspainiketta ja pidä se painettuna 5–7 sekunnin ajan (kuva N).

4. Yhteys on muodostettu, kun puhdistimen anturisignaalin merkkivalo palaa vilkkumatta ja ilmanlaadun merkkivalot syttyvät.



Kuva N

TAKUU

Laitteella on normaalikäytössä kahden vuoden takuu ostopäivästä lukien sen toiminnan osalta. Tänä takuuajana ACCO harkintansa mukaan joko korjaa tai vaihtaa viallisen laitteen veloitusetta. Takuu ei kata virheellisestä tai asiattomasta käytöstä aiheutuneita vikoja. Ostotodistus on esitettävä. Jos laitetta korjaa tai muuttaa muu kuin ACCO valtuuttama henkilö, takuu raukeaa. Tavoittemme on varmistaa, että tuotteemme toimivat ohjeissa kuvatulla tavalla. Tämä takuu ei vaikuta lakisääteisiin oikeuksiin, joita kuluttajilla on eri maissa sovellettavan kansallisen lainsäädännön nojalla ja joiden alaisuudessa tavaroiden myynti tapahtuu.

TUKI

Kiitos, että olet valinnut TruSens™-laitteen kotiisi. Asiakkaat ovat toimintamme ydin, ja pyrimme luomaan tuotteita, jotka sopivat heidän elämäntyyliinsä. Jos sinulla on kysyttävää tai palautetta, ota meihin yhteys!

Käy verkkosivustollamme osoitteessa www.leitz.com/trusens

Lähetä meille sähköpostia osoitteeseen asiakaspalvelu@esselte.com

Soita meille numeroon **09-7510 4200**

Rekisteröidäksesi ja aktivoitaksesi takuusi mene www.leitz.com/register

TruSens™

Velkommen til ren luft med TruSens. Takk for at vi får bli med deg på reisen mot velvære.

Luften du puster, skal være ren, uansett hvor du befinner deg i rommet. TruSens SensorPod™, PureDirect™-teknologi og 360-graders filtrering sørger for at hele rommet får renere luft.

SIKKERHETSINFORMASJON

LES OG TA VARE PÅ DISSE INSTRUKSJONENE

Koble apparatet fra strømkilden før du skifter filtre eller UV-C-emitteren, eller når apparatet ikke er i bruk.



ADVARSEL: For å redusere risikoen for brann eller elektrisk støt skal denne luftrenseren ikke brukes med en solid state-hastighetsstyring.

Ikke bruk luftrenseren dersom ledningen eller støpselet er skadet, eller hvis vegguttaket er løst. Dersom strømledningen er skadet, må den skiftes av produsenten, produsentens serviceagent eller en annen kvalifisert person for å unngå fare.

Ikke plasser ledningen under tepper, matter, løpere eller liknende. Ikke plasser ledningen under møbler eller apparater. Plasser ledningen på områder med lite trafikk, der ingen kan snuble over den.



ADVARSEL: Hvis man ser direkte på lyset som produseres av UV-C-emitteren i dette apparatet, kan det føre til skader på hud eller øyne. Feil bruk av apparatet eller skade på apparatet kan føre til eksponering for farlig UV-C-stråling. UV-C-stråling kan, selv i små doser, forårsake skade på øyne og hud. Koble alltid fra strømmen før service eller utskifting av pærer. Skift ut UV-C-emitteren med art.nr. 2415108 (for Z-2000) eller 2415111 (for Z-3000), produsert av ACCO Brands.

- Fjern all emballasje, inkludert posen som dekker filteret, før bruk.
- Apparater med åpenbare skader må ikke brukes.
- Dette apparatet må kun kobles til et vegguttak som passer til typen støpsel og strømstyrke som er angitt på merkeplaten.
- Plasser luftrenseren nær vegguttaket, og ikke bruk skjøteledninger.
- Dette apparatet kan brukes av barn over 8 år og personer med reduserte fysiske, sansemessige eller mentale evner, eller som mangler erfaring og kunnskap, forutsatt at de har fått veiledning eller opplæring i bruk av apparatet på en sikker måte og forstår farene som er involvert.
- Barn skal ikke leke med, rengjøre eller prøve å vedlikeholde apparatet.
- Skift ut UV-C-emitteren med modellen som er spesifisert i denne håndboken.
- Ikke prøv å utføre service eller reparasjoner på dette produktet selv.
- Bruk bare luftrenseren og SensorPod™ med strømledningen som følger med.
- Bruk kun en fuktig klut til å rengjøre apparatet. Ikke bruk løse- eller blekemidler.
- Påse alltid at apparatet står på en fast, jevn overflate før det tas i bruk.
- Ikke blokker eller plasser hindringer foran luftinntaks- eller uttaksventilene.
- Ikke rør fingre eller andre gjenstander inn i luftinntaks- eller uttaksventilene.
- Når luftrenseren er i ventemodus, sender SensorPod™ fremdeles et signal/data.

Driftsfrekvens

Trådløst: 2462 MHz

Maksimal overføringskraft (EIRP)

Trådløst: 0 dBm

Antennevinning

Trådløst: 2 Dbi

ACCO UK Ltd erklærer herved at radioutstyrstypene Leitz TruSens-luftrensere Z-2000/Z-3000 er i samsvar med radiodirektivet 2014/53/EU.

Den fullstendige teksten i EU-samsvarserklæringen er tilgjengelig på følgende internettsadresse:

<https://declarations.accobrands.com/>

En minimumsavstand på 0,2 mm må opprettholdes mellom brukerens kropp og enheten, for å overholde kravene angående RF-eksponering.

Avfall fra elektrisk og elektronisk utstyr (WEEE)

Når produktets levetid er over, anses det som WEEE.

Da er det viktig å legge merke til at:

WEEE ikke skal kastes i usortert, kommunalt avfall. Det skal samles inn separat slik at det kan demonteres og bestanddelene og materialene kan resirkuleres, brukes på nytt og gjenvinnes (som drivstoff for energiutvinning i produksjonen av elektrisitet).

Kommunen har gjenvinningsstasjoner der du kan levere WEEE gratis.

Lever WEEE på gjenvinningsstasjonen i nærheten av hjemmet eller kontoret ditt.

Hvis du har problemer med å finne en gjenvinningsstasjon, bør forhandleren som solgte deg produktet, kunne ta imot WEEE.

Hvis du ikke lenger har kontakt med forhandleren, kan du ta kontakt med ACCO for hjelp med dette.

Gjenvinning av WEEE hjelper med å beskytte miljøet, beskytte menneskers helse, bevare råstoff, forbedre bærekraftig utvikling og sikre bedre tilgang til råvarer i Den europeiske union. Dette oppnås ved å gjenvinne verdifulle sekundærråstoffer og redusere disponering av avfall. Du kan bidra til å nå disse målene ved å returnere WEEE til en gjenvinningsstasjon.

Produktet er merket med WEEE-symbolet (søppelbøtte med kryss over). Dette symbolet informerer deg om at WEEE ikke skal kastes i usortert, kommunalt avfall.

Leitz TruSens luftrensere er også utstyrt med en UV-C-emitter. Ved utskifting av denne varen (i løpet av produktets levetid), må disse også returneres og kastes på ditt lokale WEEE-innsamlingsanlegg.

Mer informasjon og installasjonsveiledninger / videoer for UV-C-emitteren finner du på www.leitz.com

HOVEDFUNKSJONER



SensorPod™

Ekstern overvåkingsenhet for luftkvalitet som sikrer renere luft, akkurat der du trenger det.



PureDirect™-teknologi

Uavhengig laborietesting bekrefter at to luftstrømmer er bedre enn én, siden det beveger luften mer effektivt og komfortabelt i rommet.



Informerer og tilpasser seg

En fargekodet ring med belysning gir ytterligere informasjon ved å informere om luftkvaliteten i sanntid.



360-graders rensing

HEPA-filteret fanger opp forurensende stoffer og VOC-gasser/-lukter (flyktige organiske forbindelser) fra alle retninger. UV-C-lys dreper mikrober og bakterier som kan fanges opp i filteret.

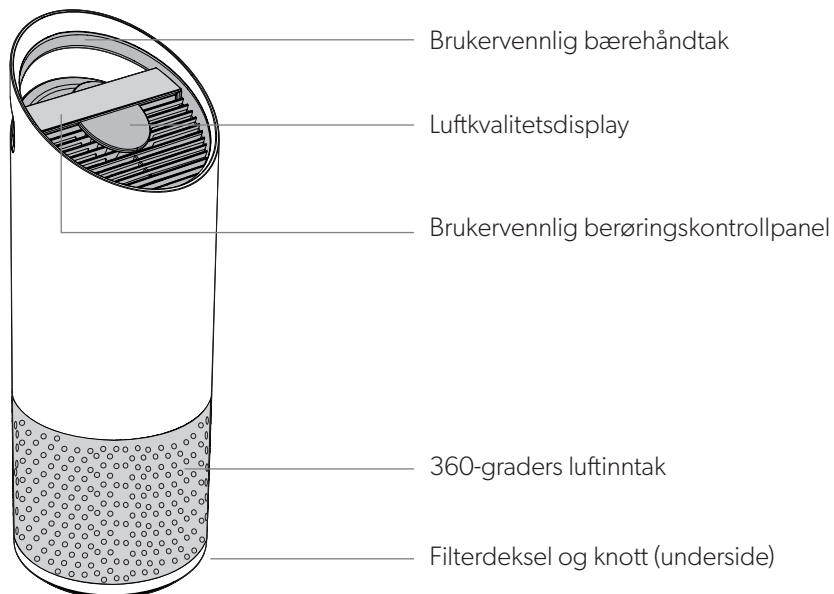


Gjennomtenkt utførelse

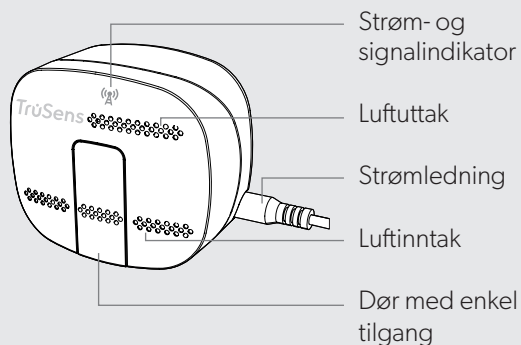
Eksepsjonell funksjonalitet innpakket i en moderne design som passer til ethvert miljø.

PRODUKTOVERSIKT

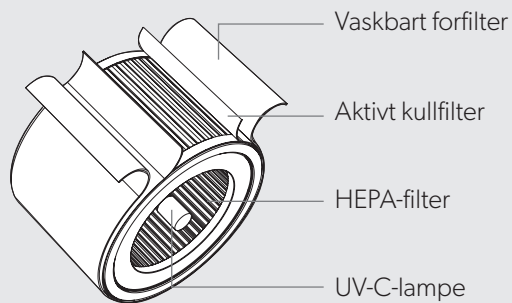
Luftrenser



SensorPod™



Filtrering og UV-C-lampe

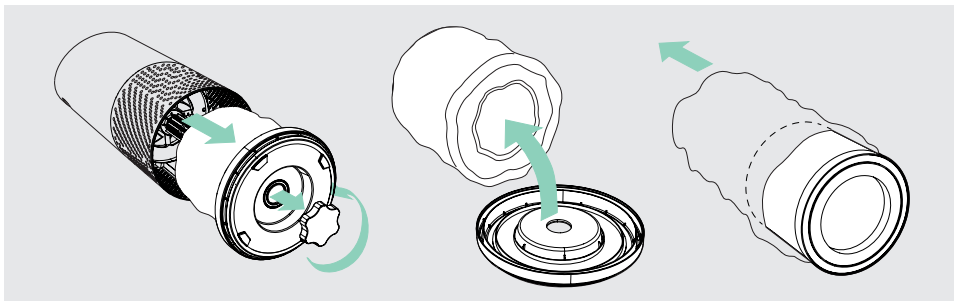


KOMME I GANG



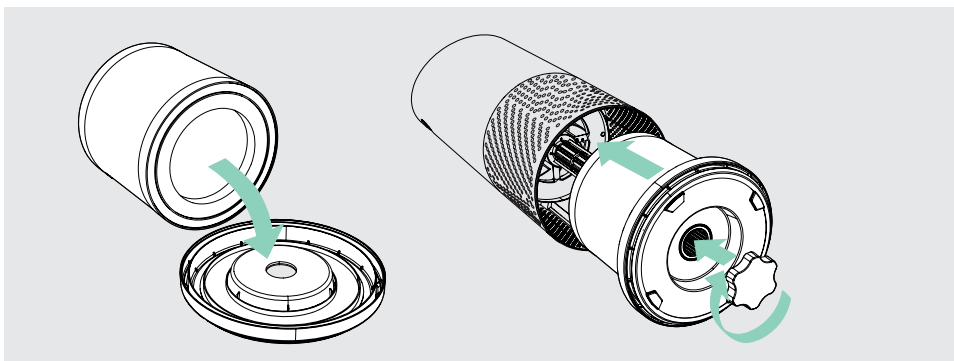
1. Fjerne plastposen fra filteret

Skrue av bunndekselet og fjern plastposen fra filteret.



2. Feste filteret på nytt

Fest filteret til bunndekselet og plasser det i luftrenseren igjen.



3. Oppsett

Koble til SensorPod.

Plasser SensorPod stående på en bordflate eller arbeidsflate på den andre siden av rommet, i direkte synslinje for renseren.

Koble til luftrenseren og slå på.

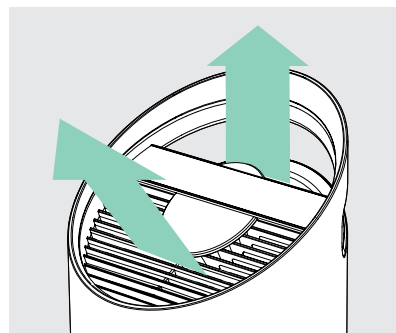
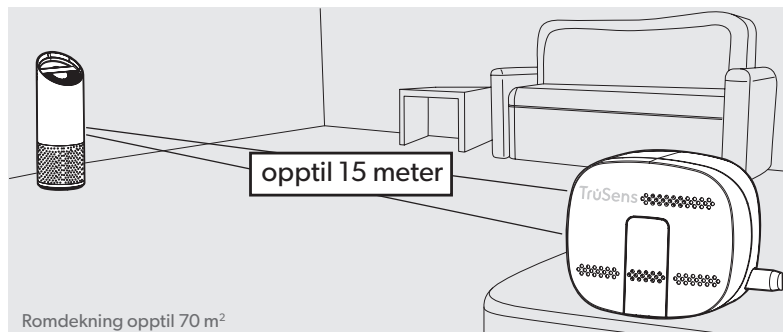
Plasser luftrenseren på en flat overflate, uten hindringer rundt.

- Plasser der luft kan flyte fritt inn i luftrenseren fra alle kanter.
- Unngå innredning som sengetøy og gardiner i tillegg til varme kilder og fuktighet.

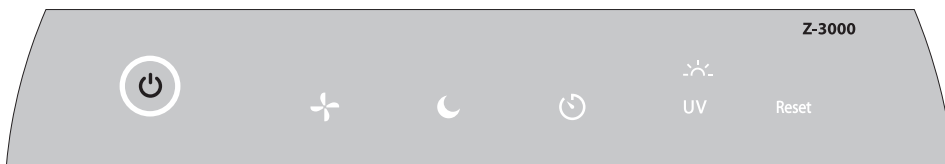
Signalstyrken kan variere fra sted til sted. Hvis signalet mot formodning ikke virker, se side 171.

4. Begynn å leve med renere luft!

Renseren justerer automatisk viftehastigheten basert på avlesningen av luftkvaliteten fra SensorPod, og den unike PureDirect™-teknologien gir rensert luft i hele rommet!



KONTROLLPANEL



Strømknapp



Innstillinger for viftehastighet

Velg viftehastigheten selv eller velg automatisk modus. I automatisk modus justerer luftrensersens viftehastigheten automatisk basert på avlesningen av luftkvaliteten fra SensorPod.

(Automatisk modus er bare tilgjengelig når renseren er koblet sammen med SensorPod og mottar et signal.)



Nattmodus

Displaybelysningen slår seg av – til bruk mens du sover – uten at effektiviteten til luftrensersens går ned. Trykk ganske enkelt på knappen på nytt for å få tilbake alle displayfunksjonene.




Tidsurmodus


Rensersens slår seg automatisk av etter 2, 4, 8 eller 12 timer.

Hvis du vil avbryte denne nedtellingen, er det bare å trykke på knappen inntil det ikke vises noe tall.



UV-modus

UV-C-lampe i luftrensersens filterkammer er på når -symbolet er hvitt.

-symbolet lyser rødt når det er på tide å skifte ut UV-C-lampe.

(Se side 168 for instruksjoner.)

Reset

Tilbakestilling av filter- og UV-indikatoren

Indikatorene for «HEPA», «Carbon» og «UV» lyser rødt når det er på tide at hver av dem må skiftes ut.

Når én av indikatorlampene er tent, er det bare å holde inne Reset-knappen i tre sekunder for å tilbakestille indikatoren.

Når to eller flere indikatorlamper er tent, trykk på Reset-knappen for å velge indikator (valgt indikator blinker) og hold deretter inne knappen i tre sekunder for å tilbakestille indikatoren.

(Se sidene 166–168 for instruksjoner om utskifting. Følg instruksjonene ovenfor for tilbakestilling av indikator etter at du har skiftet ut et filter.)

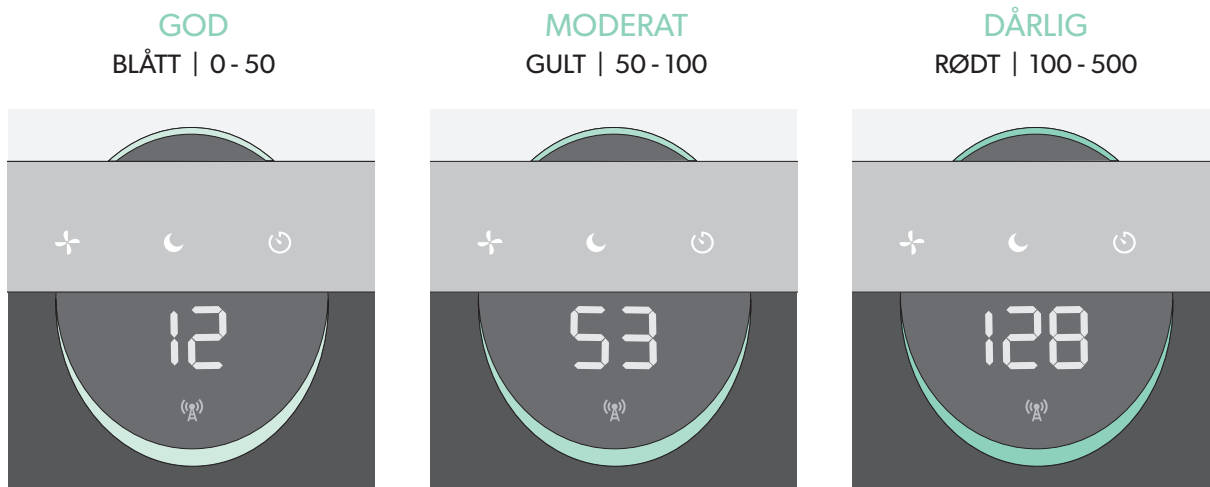
LUFTKVALITETSDISPLAY

Tilbakemelding i sanntid

Den revolusjonerende SensorPod™ evaluerer lufttilstanden ved å måle både små (PM 2,5) og store (PM 10) partikler. Enheten beregner hele luftkvaliteten ved bruk av en unik algoritme som reagerer på faktiske økninger i forurensende stoffer, uten å over reagere når noen går inn i rommet eller setter seg på sofaen.

Det belyste, fargekodede displayet informerer om god, moderat eller dårlig luftkvalitet, og tallverdien gir en mer detaljert oversikt.

I automatisk modus justerer luftrensere viftehastigheten automatisk basert på avlesningen av luftkvaliteten.



SPESIFIKASJONER

Luftinntak	360°
Luft erstattes to ganger per time	70 m ²
Lufttilførselstype	PureDirect™
Sensor	SensorPod™, virker opptil 15 meter fra rensere
Innstillinger for viftehastighet	Stille (Whisper), 1, 2, 3, turbo
Rensenivåer	Vaskbart forfilter, aktivt kullfilter, HEPA, UV-C-lampe
Innstillinger for tidsur	2, 4, 8, 12 timer
Indikatorer for skifte av filter	Carbon, HEPA, UV
Støynivå	32 - 66 dB
Dimensjoner	263 x 263 x 726 mm
Vekt	5,7 kg
Motortype	DC-motor
Strømbehov	220-240v 50/60Hz 0,5A
Strømforbruk	68 W
Garanti	2 år

Ekstra filtre og UV-C-lampe

3-i-1 HEPA-trommelfilter	2415110
Aktivt kullfilter (3-pakning)	2415109
UV-C-lampe	2415111

VEDLIKEHOLD

Åpne filterkammeret

1. Du må alltid slå av renseren ved å trykke på strømknappen og koble fra strømledningen.
2. Legg enheten forsiktig på siden på gulvet, slik at filterkammerdekselet og knotten vises.
3. Vri knotten mot klokken og fjern filterkammerdekselet og 360-graders HEPA-trommelfilteret (fig. A).

SKIFTE UT HEPA-FILTER

1. HEPA-indikatoren lyser rødt når det er på tide å skifte ut hele HEPA-trommelfilteret.
2. Trekk HEPA-trommelfilteret forsiktig vekk fra filterdekselet (fig. B).
3. Fest det nye HEPA-filteret på filterdekselet (fig. C).
4. Plasser filterdekselet og trommelfilteret forsiktig tilbake inn i filterkammeret og på gjengene, og vri knotten med klokken til knotten og filterdekselet er godt strammet til (fig. D).
5. Koble til og slå på renseren, og hold inne Reset-knappen til den røde HEPA-indikatoren slås av.

Merk: HEPA-trommelfilter (se side 165) har tre lag: vaskbart forfilter, aktivt kullfilter og HEPA.

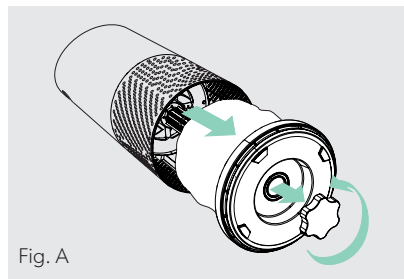


Fig. A

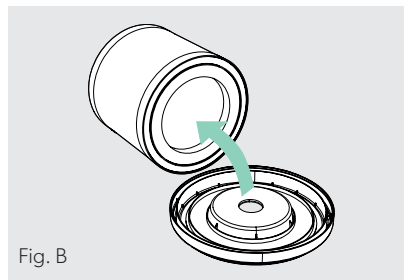


Fig. B

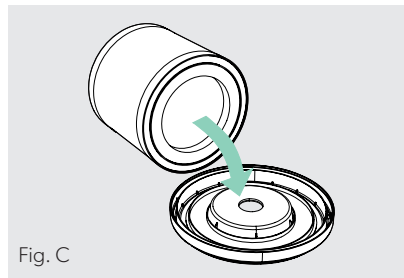


Fig. C

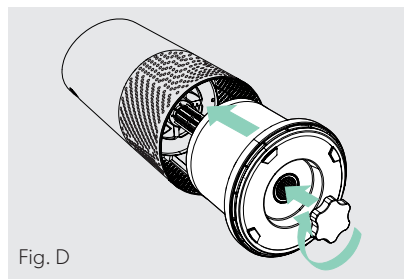


Fig. D

SKIFTE UT AKTIVT KULLFILTER

1. Indikatoren for kullfilteret lyser rødt når det er på tide å skifte ut kullaget.
2. Løsne forfilteret forsiktig fra borrelåsene (fig. E).
3. Løsne det brukte kullaget forsiktig fra borrelåsene (fig. F).
4. Påfør et nytt kullag rundt filtertrommelen, og fest det på de samme borrelåsene (fig. G).
5. Påfør forfilteret rundt kullaget og fest til borrelåsene (fig. H).
6. Når renseren er slått på, holder du inne Reset-knappen til den røde indikatoren for kullfilteret slås av.

Merk: Pakken med tre aktive kullfiltre (se side 165) er nok til tre utskiftinger av kullfilteret, som trengs mellom hver utskifting av HEPA-trommelfilteret (se side 166).

VASKE FORFILTERET

1. Vi anbefaler at du inspiserer forfilteret visuelt hver måned og rengjør etter behov. Du bør håndvaske forfilteret minst hver gang du skifter ut det aktive kullfilteret.
2. Fjern det vaskbare forfilteret forsiktig fra borrelåsene (fig. E).
3. Skyll forsiktig med rennende vann – la forfilteret lufttørke før du påfører det på nytt.
4. Påfør filteret rundt filtertrommelen, og fest til borrelåsene (fig. H).

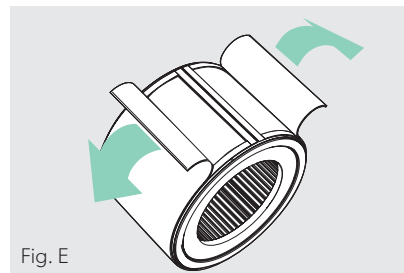


Fig. E

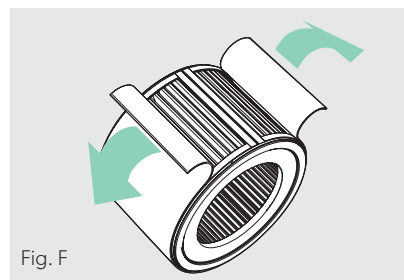


Fig. F

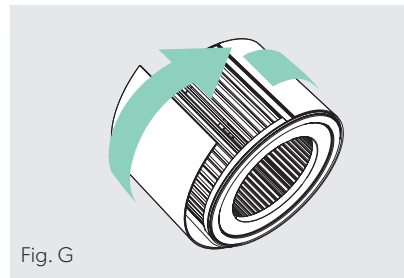


Fig. G

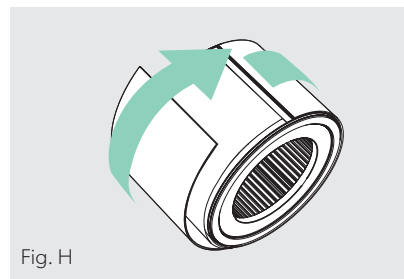



Fig. H

SKIFTE UT UV-C-LAMPE

1. -indikatoren lyser rødt når det er på tide å skifte ut UV-C-lampen.
2. Fjern HEPA-filtertrommelen (fig. A), og bruk en skrutrekker til å fjerne de fire skruene som fester UV-huset (fig. I).
3. Ta ut UV-huset forsiktig (fig. J).
4. Koble fra UV-C-lampen fra kontakten i renseren (fig. K).
5. Den nye UV-C-lampen (se side 165) kobles direkte til samme kontakt (fig. L).
6. Sett UV-huset på plass og bruk en skrutrekker til å stramme festeskrueene.
7. Når luftrenseren er slått på, holder du inne Reset-knappen til indikatoren blir hvit.

Merk: Ved utskifting av UV-C-emitter, vennligst kast den på ditt lokale WEEE-oppsamlingsanlegg.

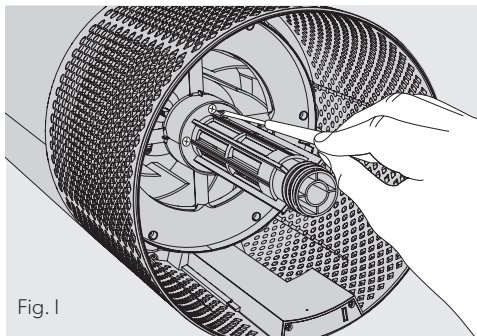


Fig. I

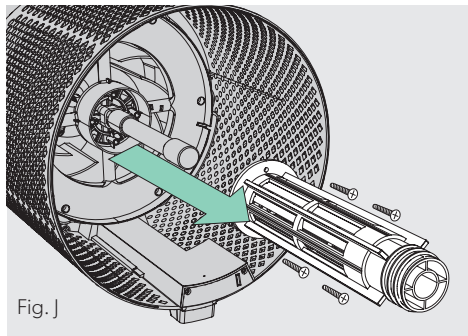


Fig. J

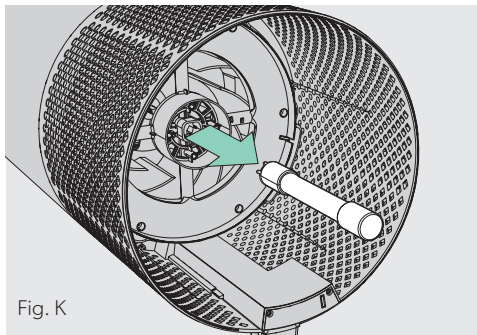


Fig. K

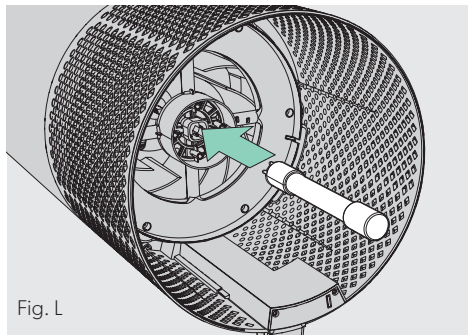


Fig. L

RENGJØRE SENSORPOD™

Rengjøre luftkvalitetssensoren

SensorPod™ bruker et infrarødt lys til å påvise partikler, så det er viktig at du rengjør støvsensorkammeret hver 1.-2. måned for å fjerne støv eller partikler som kan påvirke nøyaktigheten til sensorens avlesninger.

1. Slå av SensorPod ved å koble fra strømledningen.
2. Åpne dekselet på fremsiden ved å løfte opp i en 90-graders vinkel.
3. Bruk en fuktig bomullspinne til å tørke av linsen og inntaksområdet på støvsensoren (fig. M).
4. Bruk en tørr bomullspinne til å tørke vekk ytterligere fuktighet.
5. Lukk dekselet ved å senke det og skyve det på plass til du hører et klikk.

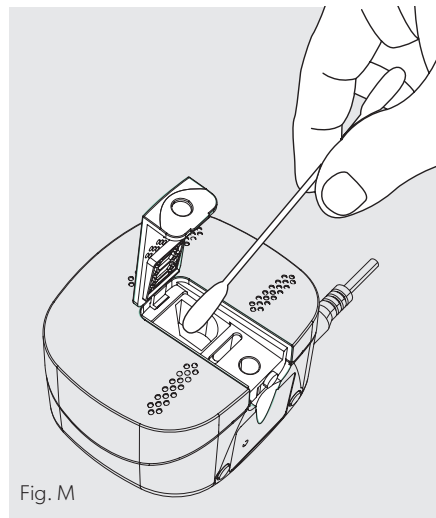


Fig. M

VANLIGE SPØRSMÅL OG FEILSØKING

<p>Hvor plasserer jeg SensorPod™?</p>	<p>Hvor som helst der du ønsker å måle luftkvaliteten i rommet!</p> <p>For optimale resultater plasseres SensorPod™ opptil 15 meter fra luftrenseren, på en arbeidsflate eller et bord, i direkte synslinje for renseren. I automatisk modus fortsetter renseren å distribuere ren luft frem til SensorPod™ registrerer at luftkvaliteten er på et akseptabelt nivå.</p>
<p>Hvor ofte må jeg skifte ut filterene?</p>	<p>Det er enkelt! Luftrenseren indikatorer for utskifting varsler deg når det er på tide å skifte ut kull- eller HEPA-filteret eller UV-C-lampen. Regn med at du må skifte ut det aktive kullfilteret hver 3.–4. måned, HEPA-filter hver 12.–15. måned og UV-C-lampen hvert 1.–3. år.</p>
<p>Hvor ofte må jeg vaske forfilteret?</p>	<p>Forfiltret fanger opp større partikler og bevarer effektiviteten til de andre filterene. Derfor anbefaler vi at du inspiserer forfilteret hver måned og vasker etter behov. En annen god vane er å vaske forfilteret hver gang du skifter ut kullfilteret.</p>
<p>Hvor ofte må jeg rengjøre støvsensoren i SensorPod™?</p>	<p>For å oppnå så nøyaktig måling av luftkvaliteten som mulig anbefaler vi at du rengjør overflaten til støvsensoren hver 1.–2. måned.</p>
<p>Luftrenseren slår seg ikke på.</p>	<p>Kontroller at strømledningen er tilkoblet både stikkkontakten og renseren. Sjekk om det er strøm i stikkkontakten ved å koble til en lampe eller annen fungerende enhet i nærheten i samme stikkontakt.</p> <p>Kontroller at HEPA-filteret er riktig montert i filterkammeret.</p> <p>Ta kontakt med oss hvis problemet vedvarer! (side 172).</p>

VANLIGE SPØRSMÅL OG FEILSØKING

<p>Luftrenseren går ikke inn i automatisk modus. eller Luftkvalitetsindikatorene er slått av. eller Luftrenserens sensorindikatorlampe blinker.</p>	<p>Kontroller først at SensorPod er koblet til og at lyset lyser jevnt (ikke blinker). Deretter kontrollerer du at SensorPod er innenfor rekkevidden til renseren (opptil 15 meter).</p> <p>Hvis begge stemmer, og tilkoblingen fremdeles mislykkes, kan du se i instruksjonene nedenfor om hvordan du reparerer SensorPod-tilkoblingen.</p>
<p>Jeg har mistet SensorPod-enheten min!</p>	<p>Ikke bekymre deg! Ta kontakt med kundestøtteamet vårt, så kan du bestille en ny SensorPod. Følg de enkle instruksjonene for sammenkobling nedenfor for å sammenkoble den nye SensorPod-enheten med luftrenseren din!</p>

Sammenkoble SensorPod™ og renser

SensorPod kommuniserer med renseren ved bruk av radiosignaler, og blir sammenkoblet på produksjonslinjen og er klar til bruk når du åpner boksen. Hvis signalet likevel blir avbrutt, blinker renserens sensorindikatorlampe. Du kan reparere tilkoblingen med bare noen få enkle trinn.

1. Koble fra SensorPod.
2. Trykk og HOLD strømknappen på luftrenseren inne i tre sekunder, til du hører to ringelyder.
3. Koble til SensorPod og bruk en gjenstand med et spisst punkt (f.eks. en binders) til å trykke og HOLDE sammenkoblingsknappen under SensorPod inne i 5–7 sekunder (fig. N).

4. Tilkoblingen er gjenopprettet når renserens sensorindikatorlampe lyser uten å blinke, og luftkvalitetsindikatorene slås på.

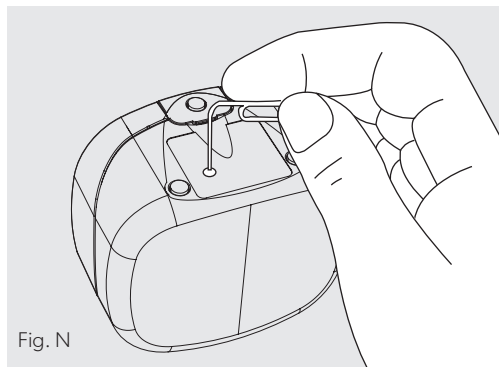


Fig. N

GARANTI

Denne maskinen har to års garanti fra kjøpsdato ved normal bruk. Innenfor denne garantiperioden vil ACCO etter eget skjønn vederlagsfritt enten reparere eller erstatte enheter med feil. Feil som oppstår på grunn av feil bruk eller bruk til uegnede formål, dekkes ikke av garantien. Kjøpsbevis må fremlegges. Hvis personer som ikke er autorisert av ACCO foretar reparasjoner eller modifikasjoner på maskinen, oppheves garantien. Det er vårt mål å sørge for at våre produkter er i overensstemmelse med de angitte spesifikasjonene. Denne garantien påvirker ikke forbrukerens juridiske rettigheter i henhold til nasjonal lovgivning for salg av varer.

BRUKERSTØTTE

Takk for at du har tatt med TruSens™ i hjemmet ditt. Kundene våre er i sentrum av det vi gjør, og vi bestreber oss på å designe produkter som passer til livsstilen din. Hvis du har spørsmål eller tilbakemeldinger, er det bare å ta kontakt!

Gå til nettstedet vårt på www.leitz.com/trusens

Send oss en e-post på kundeserviceno@acco.com

Ring oss på **+47 21 61 11 00**

Gå til for å registrere og aktivere garantien www.leitz.com/register

TruSens™

Välkommen till ren luft med TruSens. Tack för att vi får följa med på din resa mot välbefinnande.

Luften du andas bör vara ren, oavsett var i rummet du befinner dig. Med TruSens SensorPod™, PureDirect™-teknik och 360 graders filtrering kan du vara säker på att hela rummet är fullt av ren luft.

SÄKERHETSINFORMATION

LÄS OCH SPARA DESSA ANVISNINGAR

Koppla bort apparaten från elnätet innan du byter ut filter eller UVC-strålaren, eller när apparaten inte används.



VARNING:

Minska risken för brand eller elstötar genom att inte använda denna luftrenare med en hastighetsstyrenhet av halvledartyp.

Använd inte luftrenaren om sladden eller kontakten är skadad eller om vägguttaget sitter löst. Om strömsladden är skadad ska den bytas ut av tillverkaren, tillverkarens serviceombud eller någon behörig person så att en olycka kan undvikas.

Dra inte sladden under mattor eller liknande. Dra inte sladden under möbler eller apparater. Placera sladden på avstånd från ytor som används och där den inte utgör en snubbelrisk.



VARNING:

Att titta direkt in i ljuset som produceras av UVC-strålaren i apparaten kan orsaka skador på ögon och hud. Felaktig användning av apparaten eller skador på höljet kan leda till att farlig UVC-strålning sprids. UVC-strålning kan, även i små doser, orsaka skada på ögon och hud. Stäng alltid av strömmen innan du byter lampa eller utför service. Byt ut UVC-strålaren med artikel 2415105, tillverkad av ACCO Brands.

- Ta bort allt förpackningsmaterial, inklusive påsen som täcker filtret, före användning.
- Enheter som uppenbart är skadade får inte användas.
- Apparaten får endast kopplas till ett vägguttag som passar typen av kontakt och ström som anges på märkplåten.
- Placera luftrenaren i närheten av vägguttaget och använd inte förlängningssladd.
- Apparaten kan användas av barn från 8 år och uppåt och av personer med nedsatt fysisk eller mental förmåga, eller med bristande erfarenhet och kunskap, om de har fått handledning eller anvisningar om hur apparaten används på ett säkert sätt och förstår riskerna som är involverade.
- Barn får inte leka med, rengöra eller försöka underhålla apparaten.
- Byt ut UVC-strålaren med modellen specificerad i bruksanvisningen.
- Försök inte att själv utföra service eller reparationer på produkten.
- Använd endast luftrenaren med den medföljande strömkabeln.
- Rengör endast maskinen med en fuktig trasa, använd inte lösningsmedel eller blekmedel.
- Se till att apparaten alltid placeras på en stadig och plan yta före användning.
- Blockera inte luftintaget eller luftutsläppet.
- Stoppa inte fingrar eller andra föremål i luftintaget eller i luftutsläppet.

Driftsfrekvens

Trådlöst: 2 462 MHz

Maximal överföringseffekt (EIRP)

Trådlöst: 0 dBm

Antennförstärkning

Trådlöst: 2 dBi

ACCO UK Ltd intygar härmed att radioutrustningen av typen Leitz TruSens Air Purifier Z-2000/Z-3000 efterlever reglerna i direktiv 2014/53/EU.

Den fullständiga texten i EU-försäkran om överensstämmelse finns på följande internetadress: <https://declarations.accobrands.com/>

Det måste finnas ett avstånd på minst 0,2 m mellan användarens kropp och enheten för efterlevnad av RF:s exponeringskrav.

Avfall som utgörs av eller innehåller elektriska eller elektroniska produkter (WEEE)

När din produkt har tjänat ut betraktas den som WEEE. Det är därför viktigt att notera följande:

WEEE får inte bortskaffas som osorterat kommunalt avfall. Det ska samlas in separat på sådant sätt att det kan tas isär och beståndsdelarna och materialet materialåtervinnas, återanvändas och energiåtervinnas (i form av bränsle vid framställandet av elektricitet).

Offentliga insamlingspunkter har inrättats för insamling av WEEE, avgiftsfritt för dig.

Var vänligt lämna ditt WEEE till insamlingspunkten närmast hemmet eller arbetet.

Om du har svårighet att hitta en insamlingspunkt ska stället där du köpte produkten ta emot ditt WEEE.

Om du har förlorat kontakten med inköpsstället ber vi dig vända dig till ACCO för hjälp med detta.

Syftet med återvinning av WEEE är att slå vakt om miljön, skydda människors hälsa, bevara råmaterialen, stärka uthållig utveckling och säkerställa en bättre tillgång till varor inom EU. Detta kan uppnås genom att återvinna värdefulla sekundära råmaterial och minska bortskaffandet av avfall. Du kan bidra till att dessa mål uppnås genom att lämna ditt WEEE till en uppsamlingspunkt.

Din produkt är markerad med WEEE-symbolen (en soptunna med ett kryss över). Den symbolen betyder att detta WEEE inte får bortskaffas som osorterat kommunalt avfall.

Leitz TruSens luftrenare är också utrustade med en UV-C-emitter. Vid byte av denna artikel (under produktens livstid) måste dessa också returneras och kasseras på din lokala WEEE-insamlingsanläggning.

Mer information och installationsguider / videor för UV-C-emitter finns på www.leitz.com

HUVUDFUNKTIONER



SensorPod™

Fjärrövervakning av luftkvaliteten som ger renare luft, precis där du behöver den.



PureDirect™-teknik

Oberoende laborietester bekräftar att två luftflöden är bättre än ett, eftersom luften i rummet förflyttas på ett mer effektivt och behagligt sätt.



Informerar och anpassar sig

En färgkodad, belyst ring ger ytterligare information genom att förmedla luftkvaliteten i realtid.



Rening i 360 grader

HEPA-filtret fångar upp föroreningar och VOC-gaser/ lukter från alla riktningar. UV-C-ljus dödar mikrober och bakterier som kan fastna i filtret.

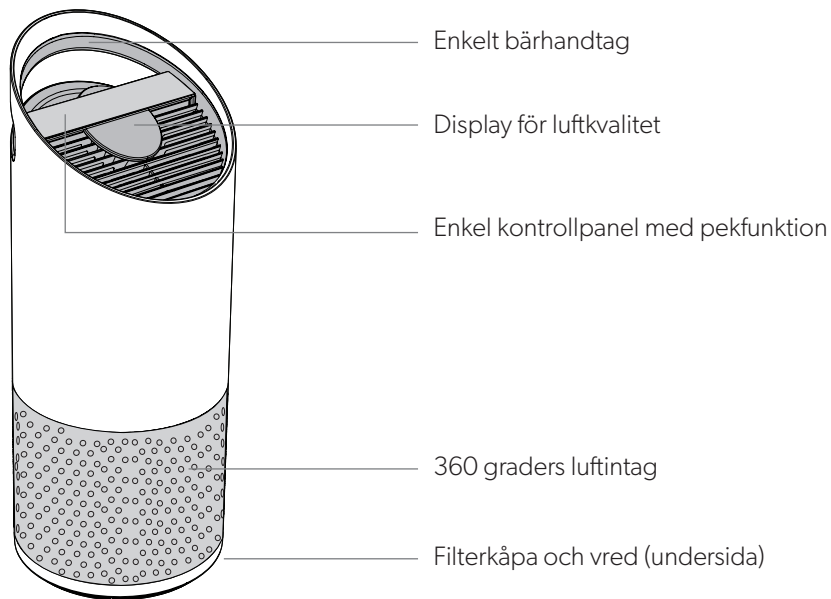


Genomtänkt utförande

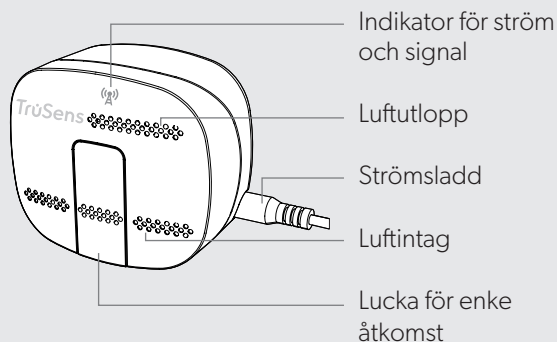
Fantastisk funktion i en modern design som passar alla miljöer.

PRODUKTÖVERSIKT

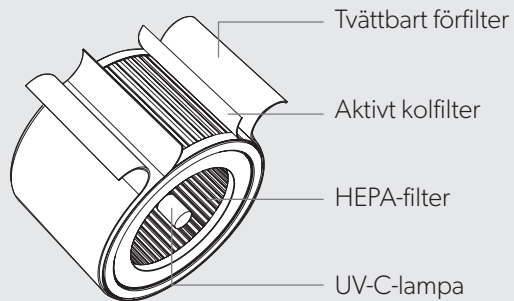
Luftrenare



SensorPod™



Filter och UV-C-lampa

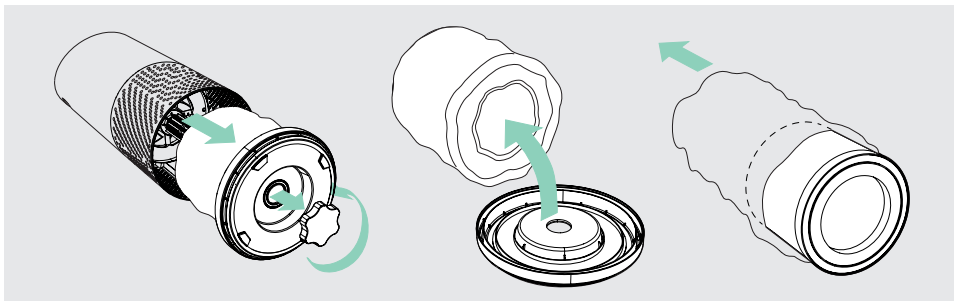


KOMMA IGÅNG



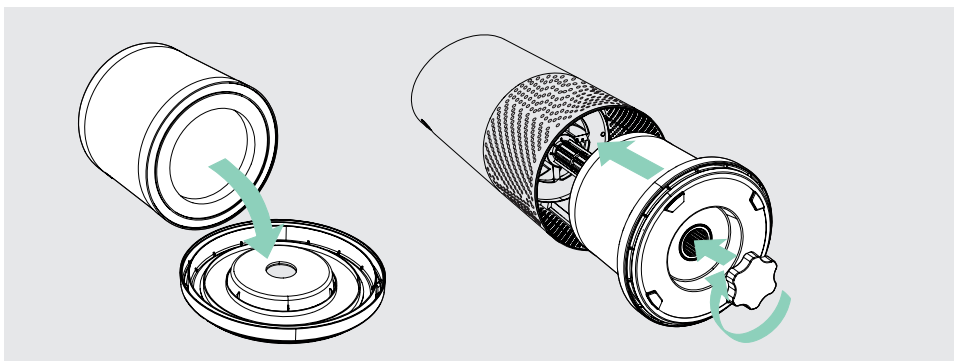
1. Ta bort plastpåsen från filtret

Skruva loss den undre kåpan och ta bort plastpåsen från filtret.



2. Sätta tillbaka filtret

Fäst filtret i den undre kåpan och sätt tillbaka den i luftrenaren.



3. Installation

Anslut din SensorPod.

Placera SensorPod upprätt på en bordsskiva eller annan yta på andra sidan rummet, inom synhåll från luftrenaren.

Anslut luftrenaren och slå på apparaten.

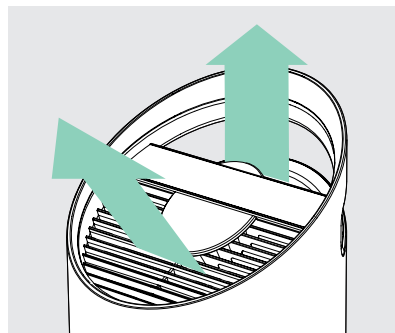
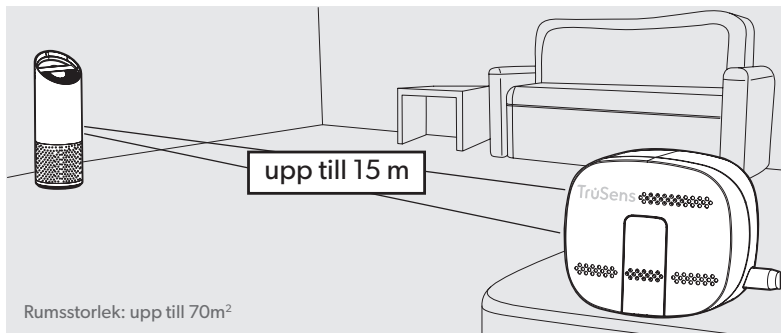
Placera luftrenaren på en plan yta som är fri från hinder

- där luft kan flöda fritt in i luftrenaren från alla håll
- på avstånd från inredning som sängkläder och gardiner samt värme- och fuktkällor.

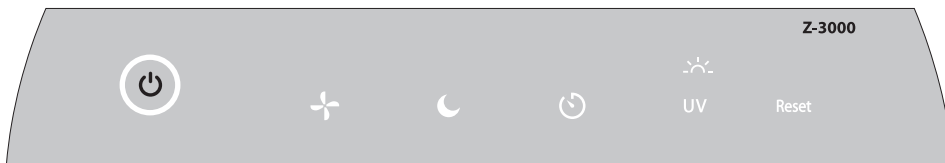
Signalstyrkan kan variera beroende på var den placeras. Se sidan 188 om det mot förmodan inte fungerar.

4. Börja leva med renare luft!

Luftrenaren anpassar automatiskt fläkthastigheten utifrån luftkvalitetsvärdena från SensorPod och den unika PureDirect™-tekniken ger renad luft i hela rummet!



KONTROLLPANEL



Strömbrytare



Inställningar för fläkthastighet

Välj fläkthastighet eller AUTO-läget.

I AUTO-läget justerar luftrenaren automatiskt fläkthastigheten utifrån luftkvalitetsvärdena från SensorPod.

(AUTO-läget är endast tillgängligt när luftrenaren har parkopplats med SensorPod och tar emot en signal.)



Nattläge

Displaybelysningen stängs av – för användning när du sover – utan att luftrenarens effekt försämras.

Tryck bara på knappen en gång till för att aktivera alla displayfunktioner igen.



Timerläge

Luftrenaren stängs automatiskt av efter 2, 4, 8 eller 12 timmar.

Om du vill avbryta nedräkningen trycker du bara på knappen tills ingen timerinställning visas.



UV-läge

UV-C-lampan i luftrenarens filterbehållare är på när ☀-symbolen är vit.

☀-symbolen lyser rött när det är dags att byta UV-C-lampan.

(Instruktioner finns på sidan 185).

Reset

Återställning av filter- och UV-indikator

Indikatorerna "HEPA", "Carbon" och "UV" lyser rött när det är dags att byta filter eller UV-C-lampan.

När en indikator lyser håller du bara in återställningsknappen (Reset) i 3 sekunder för att återställa den indikatorn.

När två eller fler indikatorer lyser trycker du på återställningsknappen (Reset) för att välja lämplig indikator (den valda indikatorn blinkar) innan du håller in knappen i 3 sekunder för att återställa den indikatorn.

(Instruktioner för byte finns på sidorna 183–185. Följ anvisningarna ovan för återställning av indikatorn efter filterbyte).

DISPLAY FÖR LUFTKVALITET

Feedback i realtid

Den revolutionerande SensorPod™ utvärderar luftförhållandena genom att mäta både små (PM2,5) och större (PM10) partiklar. Den beräknar den totala luftkvaliteten med hjälp av en unik algoritm som reagerar på faktiska ökningar av föroreningar utan att överreagera när någon kommer in i rummet eller sätter sig i soffan.

Den belysta, färgkodade displayen berättar om luftkvaliteten är bra, måttlig eller dålig och visar ett siffervärde som ger mer ingående information.

I AUTO-läget anpassar luftrenaren automatiskt fläkthastigheten som svar på dessa luftkvalitetsmätningar.

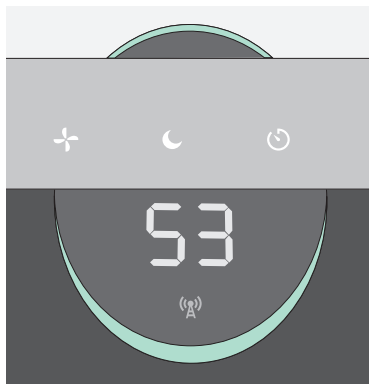
BRA

BLÅTT | 0 - 50



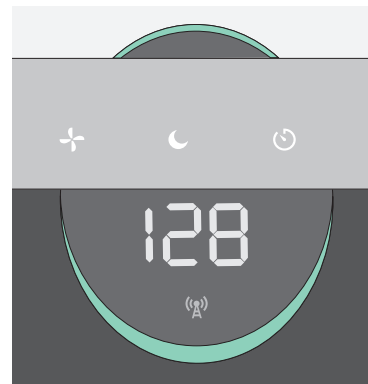
MÅTTLIG

GULT | 50 - 100



DÅLIG

RÖTT | 100 - 500



SPECIFIKATIONER

Luftinlopp	360°
Luftutbyte två gånger i timmen	70 m ²
Typ av luftutmatning	PureDirect™
Sensor	SensorPod™, fungerar upp till 15 m från luftrenaren
Inställningar för fläkthastighet	Whisper, 1, 2, 3, Turbo
Reningsnivåer	Tvättbart förfilter, aktivt kolfilter, HEPA, UV-C-lampa
Timerinställningar	2, 4, 8, 12 timmar
Indikatorer för filterbyte	Carbon, HEPA, UV
Ljudnivå	32 - 66 dB
Mått	263 x 263 x 726 mm
Vikt	5,7 kg
Motortyp	likströmsmotor
Effektbehov	220-240v 50/60Hz 0,5A
Effektförbrukning	68 W
Garanti	2 år

Ersättningsfilter och UV-C-lampa

3-i-1 HEPA-trumfilter	2415110
Aktivt kolfilter (3-pack)	2415109
UV-C-lampa	2415111

SKÖTSEL OCH UNDERHÅLL

Så öppnar du filterbehållaren

1. Stäng alltid av luftrenaren genom att trycka på strömbrytaren och dra ur strömsladden.
2. Placera försiktigt enheten på sidan på golvet, så att du kommer åt filterbehållarens kåpa och vred.
3. Vrid vredet moturs och ta bort filterbehållarens kåpa och 360° HEPA-trumfiltret (fig. A).

BYTA HEPA-FILTRET

1. HEPA-indikatorn lyser rött när det är dags att byta hela HEPA-trumfiltret.
2. Dra försiktigt loss HEPA-trumfiltret från platsen där det sitter fast på filterkåpan (fig. B).
3. Sätt fast det nya HEPA-filtret på filterkåpan (fig. C).
4. Sätt försiktigt tillbaka filterkåpan och trumfiltret i filterbehållaren, över gångningen, och vrid vredet medurs tills vredet och filterkåpan sitter fast ordentligt (fig. D).
5. Anslut luftrenaren och slå på den. Håll in återställningsknappen (Reset) tills den röda HEPA-indikatorn slocknar.

Obs! HEPA-trumfiltret (se sidan 182) består av 3 lager: Tvättbart förfilter, aktivt kolfilter och HEPA.

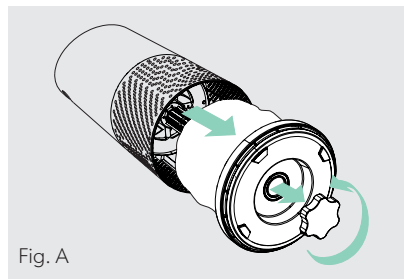


Fig. A

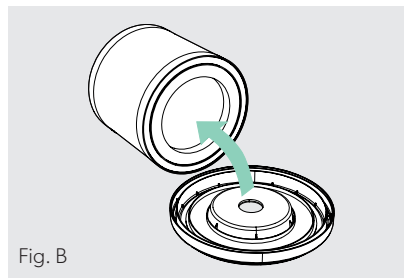


Fig. B

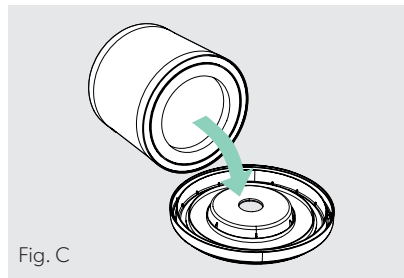


Fig. C

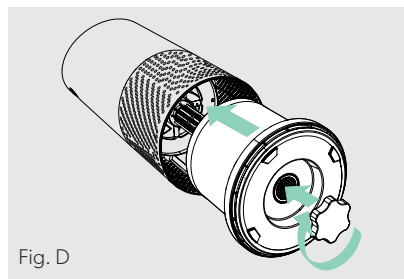


Fig. D

BYTA KOLFILTRET

1. Kolfilterindikatorn lyser rött när det är dags att byta kollagret.
2. Dra försiktigt bort förfiltret från fästremarna (fig. E).
3. Dra försiktigt bort det använda kollagret från fästremarna (fig. F).
4. Vira ett nytt kollager runt filtertrumman och fäst det på samma fästremor (fig. G).
5. Vira förfiltret runt kollagret och fäst det på fästremarna (fig. H).
6. När luftrenaren är påslagen håller du in återställningsknappen (Reset) tills den röda indikatorn för kolfiltret slocknar.

Obs! 3-pack med aktiva kolfilter (se sidan 182) täcker de tre kolfilterbyten som krävs mellan varje byte av HEPA-trumfiltret (se sidan 183).

TVÄTTA FÖRFILTRET

1. Vi rekommenderar att du inspekterar förfiltret visuellt varje månad och tvättar det vid behov. Du bör tvätta förfiltret för hand minst varje gång du byter det aktiva kolfiltret.
2. Dra försiktigt bort det tvättbara förfiltret från fästremarna (fig. E).
3. Skölj försiktigt under rinnande vatten och låt sedan förfiltret lufttorka innan du monterar det igen.
4. Vira förfiltret runt filtertrumman och fäst det på fästremarna (fig. H).

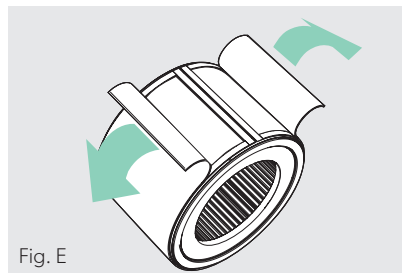


Fig. E

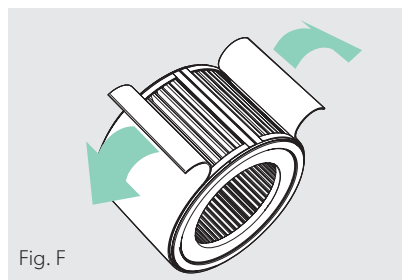


Fig. F

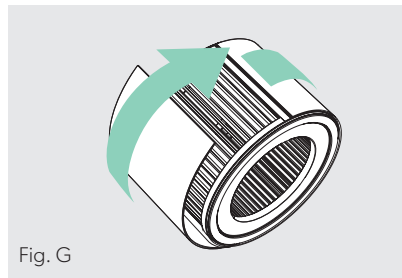


Fig. G

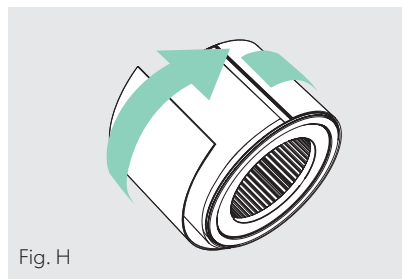



Fig. H

BYTA UV-C-LAMPAN

1. -indikatorn lyser rött när det är dags att byta UV-C-lampan.
2. Ta bort HEPA-filtertrumman (fig. A) och använd en skruvmejsel för att ta bort de fyra skruvarna som håller fast UV-höljet (fig. I).
3. Ta försiktigt bort UV-höljet (fig. J).
4. Koppla bort UV-C-lampan från uttaget i luftrenaren (fig. K).
5. Den nya UV-C-lampan (se sidan 182) ansluts direkt till samma uttag (fig. L).
6. Sätt tillbaka UV-höljet och använd en skruvmejsel för att dra åt fästskruvarna.
7. När luftrenaren är påslagen håller du in återställningsknappen (Reset) tills indikatorn blir vit.

Obs! Vid utbyte av UV-C-emittern ska du kassera den till din lokala WEEE-insamlingsanläggning.

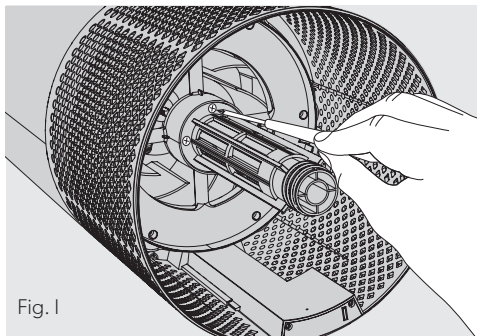


Fig. I

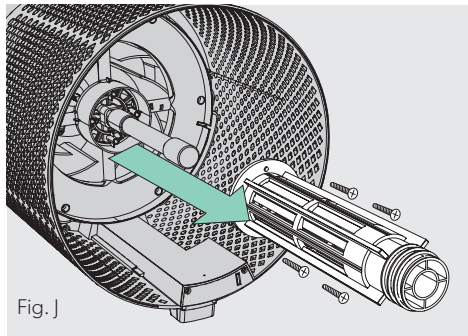


Fig. J

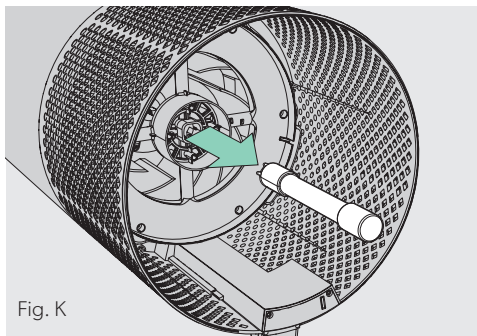


Fig. K

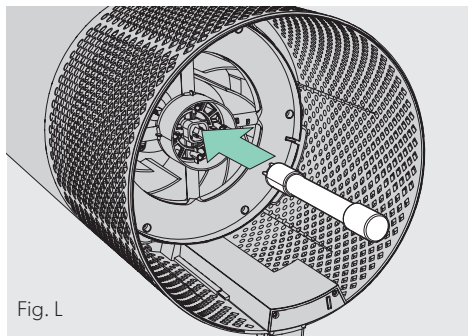


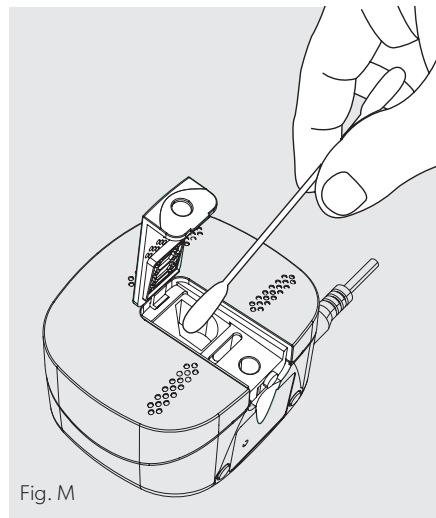
Fig. L

RENGÖRA SENSORPOD™

Rengöra luftkvalitetssensorn

SensorPod™ använder infrarött ljus för att upptäcka partiklar, så det är viktigt att du rengör dammsensorbehållaren varje eller varannan månad, för att avlägsna damm eller partiklar som kan påverka noggrannheten i sensorns mätningar.

1. Stäng av SensorPod genom att dra ur strömsladden.
2. Öppna luckan för enkel åtkomst på framsidan genom att lyfta den uppåt i 90° vinkel.
3. Använd en fuktig bomullspinne för att torka av linsen och insugningsområdet på dammsensorn (fig. M).
4. Använd en torr bomullspinne för att torka bort eventuell kvarvarande fukt.
5. Stäng luckan genom att sänka ned den och skjuta den på plats igen, tills du hör ett klick.



VANLIGA FRÅGOR OCH FELSÖKNING

<p>Var ska jag placera SensorPod™?</p>	<p>Där du vill mäta luftkvaliteten i rummet!</p> <p>För bästa resultat bör du placera SensorPod™ upp till 15 meter från luftrenaren, på ett bord eller en annan yta inom synhåll för luftrenaren. I autoläget fortsätter luftrenaren att distribuera ren luft tills SensorPod™ upptäcker en acceptabel luftkvalitetsnivå.</p>
<p>Hur ofta behöver jag byta filtren?</p>	<p>Det är enkelt! Luftrenarens bytesindikatorer talar om när det är dags att byta kol- eller HEPA-filtret eller UV-C-lampan.</p> <p>Räkna med att byta det aktiva kolfiltret var tredje till fjärde månad, HEPA-filtret var tolfte till femtonde månad och UV-C-lampan varje till vart tredje år.</p>
<p>Hur ofta behöver jag tvätta förfiltret?</p>	<p>Förfiltret fångar upp större partiklar och ser till att de andra filtren är effektiva, så vi rekommenderar att du inspekterar förfiltret visuellt varje månad och tvättar det vid behov. En god rutin är att tvätta förfiltret varje gång du byter kolfiltret.</p>
<p>Hur ofta behöver jag rengöra dammsensorn i SensorPod?</p>	<p>För att luftkvalitetsmätningarna ska vara så exakta som möjligt rekommenderar vi att du rengör dammsensorns yta varje till varannan månad.</p>
<p>Luftrenaren startar inte.</p>	<p>Kontrollera att strömsladden är ordentligt ansluten till både vägguttaget och luftrenaren. Kontrollera om det finns ström i uttaget genom att ansluta en närbelägen lampa eller enhet som fungerar till samma uttag.</p> <p>Kontrollera att HEPA-filtret är korrekt installerat i filterbehållaren.</p> <p>Kontakta oss gärna om problemet kvarstår! (sidan 189).</p>

VANLIGA FRÅGOR OCH FELSÖKNING

<p>Luftrenaren övergår inte till autoläge. eller Luftkvalitetsindikatorerna är släckta. eller Luftrenarens indikator för sensorsignal blinkar.</p>	<p>Kontrollera först att SensorPod är ansluten och att lampan lyser med fast sken.</p> <p>Kontrollera sedan att SensorPod är inom räckhåll för luftrenaren (upp till 15 m).</p> <p>Om SensorPod är ansluten och inom räckhåll finns anvisningar om hur du återställer dess anslutning nedan.</p>
<p>Jag har tappat bort min SensorPod!</p>	<p>Oroa dig inte! Kontakta vårt kundtjänstteam så kan du beställa en ny SensorPod. Följ de enkla parkopplingsanvisningarna nedan för att parkoppla din nya SensorPod med din befintliga luftrenare!</p>

Parkoppla SensorPod™ och luftrenare

SensorPod kommunicerar med luftrenaren med hjälp av radiofrekvenssignaler. Den parkopplas i fabriken och är redo att användas när du öppnar kartongen. Om signalen mot förmodan bryts blinkar luftrenarens sensorindikatorlampa. Du kan återställa anslutningen genom att följa några enkla steg.

1. Koppla ur SensorPod.
2. Håll in strömknappen på luftrenaren i 3 sekunder. Du bör höra två ljudsignaler.
3. Anslut SensorPod och använd något med en smal spets (t.ex. ett gem) för att trycka på och hålla inne parkopplingsknappen under SensorPod i 5–7 sekunder (fig. N).

4. Anslutningen har upprättats när luftrenarens sensorindikatorlampa lyser utan att blinka och luftkvalitetsindikatorerna tänds.

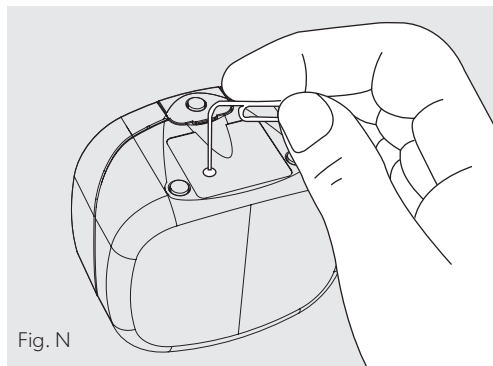


Fig. N

GARANTI

Vid normal användning garanteras maskinens funktion i två år från inköpsdatum. ACCO reparerar eller ersätter efter eget gottfinnande defekta maskiner utan kostnad inom garantiperioden. Fel som har uppstått genom felaktig eller olämplig användning täcks inte av garantin. Kvitto med inköpsdatum måste kunna uppvisas. Garantin upphör att gälla om reparationer eller ändringar utförts av personer som inte är auktoriserade av ACCO. Vår målsättning är att se till att våra produkter uppfyller ngivna specifikationer. Denna garanti påverkar inte konsumentens rättigheter enligt lag.

SUPPORT

Tack för att du välkomnat TruSens™ i ditt hem. Våra kunder står i fokus för allt vi gör och vi strävar efter att utforma produkter som passar din livsstil. Om du har några frågor eller synpunkter får du gärna kontakta oss!

Lätogassa meg webhelyünket: www.leitz.com/trusens

Írjon e-mailt: hungarymarketing@acco.com

Hívjon telefonon: +36 1 424 6600

Gå till för att registrera och aktivera din garanti www.leitz.com/register

TruSens™

Tere tulemast nautima puhast õhku koos TruSensiga. Aitäh, et valisite meid liitlaseks teekonnal suurema heaolu poole.

Õhk, mida hingate, peab olema puhas, olenemata sellest, kus te ruumis viibite. TruSens SensorPod™, PureDirect™-i tehnoloogia ja 360° filtratsioon aitavad tagada, et terves ruumis on puhtam õhk.

OHUTUSTEAVE

LUGEGE KÄESOLEVAD JUHISED LÄBI JA HOIDKE ALLES

Enne filtrite või UV-C-kiirguri vahetamist või kui seadet ei kasutata, tuleb see vooluvõrgust lahti ühendada.



HOIATUS! Tulekahju ja elektrilöögi ohu vähendamiseks ärge kasutage seda õhupuhastit pooljuhtrelega kiirusjuhtimisseadmega.

Ärge kasutage õhupuhastit, kui selle juhe või pistik on kahjustada saanud või kui pistikupesa on lahtine. Kui toitejuhe on kahjustada saanud, tuleb see ohu vältimiseks välja vahetada. Seda peab tegema tootja, hooldustehnik või nõuetekohase kvalifikatsiooniga isik.

Ärge asetage juheta vaipade, liistude või muude katete alla. Ärge suunake juheta mööbli või seadmete alt läbi. Asetage juhe selliselt, et see oleks tihedama liikumisega kohtadest eemal ja et selle otsa ei saaks komistada.



HOIATUS! Kui vaatate otse seadme UV-C-kiirguri eraldatavasse valgusesse, võib see kahjustada nahka või silmi. Kui seadet ei kasutata nõuetekohaselt või kui korpus on kahjustada saanud, võib seadmest eralduda ohtlikku UV-C-kiirgust. UV-C-kiirgus võib isegi väikestes kogustes kahjustada silmi ja nahka. Enne lampide vahetamist või hooldust ühendage seade alati vooluvõrgust lahti. Vahetage UV-C-kiirguri välja seadme 2415108 (mudeli Z-2000 puhul) või 2415111 (mudeli Z-3000 puhul) vastu, mille tootjaks on ACCO Brands.

- Enne kasutamist eemaldage kõik pakendid, sh filtrite kattev kott.
- Kasutada ei tohi seadmeid, millel esineb ilmseid kahjustusi.
- Käesoleva seadme tohib ühendada ainult sellise pistikupesaga, mis on vastavuses andmesildil oleva toitepistikuga tüübi ja nimiaandmetega.
- Paigutage õhupuhastit pistikupesa lähedale ning vältige pikendusjuhtmete kasutamist.
- Seda seadet võivad kasutada 8-aastased ja vanemad lapsed ning piiratud liikumis-, sensoorsete või vaimsete võimete isikud ning isikud, kelle puuduvad vastavad kogemused ja teadmised, kui neid on juhendatud seadme ohutu kasutamise osas ning nad mõistavad sellega seotud ohte.
- Lapsed ei tohi seadmega mängida, seda puhastada ega üritada seda hooldada.
- Vahetage UV-C-kiirguri välja mudeli vastu, mis on välja toodud selles kasutusjuhendis.
- Ärge proovige seadet ise hooldada ega parandada.
- Kasutage õhupuhastit ja SensorPod™-i ainult koos kaasas olnud toitejuhtmega.
- Masina puhastamiseks kasutage ainult niisket lappi, vältige lahusteid ja valgendeid.
- Veenduge, et asetate seadme enne kasutamist alati kindlale ja tasasele pinnale.
- Vältige õhu sisselaske- ja väljalaskeavade blokeerimist või takistamist.
- Ärge sisestage õhu sisselaske- ja väljalaskeavadesse sõrmi või muid esemeid.
- Isegi kui õhupuhastit on ooterežiimis, edastab SensorPod™ endiselt signaali/andmeid.

Töösagedus

Juhtmevaba: 2462 MHz

Maksimaalne kiirgusvõimsus (EIRP)

Juhtmevaba: 0 dBm

Antennivõimendus

Juhtmevaba: 2 Dbi

Käesolevaga kinnitab ACCO UK Ltd, et raadioseadmete tüübid TruSens Air Purifier Z-2000/Z-3000 vastavad direktiivile 2014/53/EL. ELi vastavusdeklaratsiooni täistekst on leitav järgmisel internetiaadressil:

<https://declarations.accobrands.com/>

Raadiosagedusväljaga lubatud kokkupuute nõuete täitmiseks peab kasutaja keha ja seadme vahel olema minimaalselt 0,2 m.

Elektri- ja elektroonikaseadmete jäätmed (WEEE)

Seadme tööea lõpuks peetakse teie seadet elektri- ja elektroonikaseadmete jäätmeks. Seetõttu on oluline märkida, et elektri- ja elektroonikaseadmete jäätmeid ei käidelda sortimata olmejäätmete hulka. Neid tuleb koguda eraldi nii, et neid saaks lahti võtta, nende komponente ja materjale taaskäidelda, taaskasutada ning taastuvenegiaks töödelda (kütusena elektri tootmiseks).

Omavalitsused on teie jaoks loonud tasuta elektri- ja elektroonikaseadmete jäätmete avalikke kogumispunkte. Tagastage elektri- ja elektroonikaseadmete jäätmed oma kodu või kontori lähimasse kogumispunkti.

Kui teil on raskusi kogumispunkti leidmisega, peaks teie seadme müünud jaemüüja teie elektri- ja elektroonikaseadmete jäätmed vastu võtma.

Kui teil ei ole enam võimalik jaemüüjaga ühendust saada, võtke selles küsimuses abi saamiseks ühendust ACCO-ga.

Elektri- ja elektroonikaseadmete jäätme ringlussevõtt aitab kaasa keskkonna ja inimeste tervise kaitsmisele, toorainete säilitamisele, säästva arengu parandamisele ning Euroopa Liidus kaupadega varustamise tagamisele. See saavutatakse väärtuslike teiseste toorainete hankimise ja jäätmete kõrvaldamise vähendamisega. Saate panustada nende eesmärkide edukusse, tagastades oma elektri- ja elektroonikaseadmete jäätmed kogumispunkti.

Teie seade on märgistatud WEEE-sümboliga (ratastega prügikonteiner, millele on peale tõmmatud X). See sümbol teavitab, et elektri- ja elektroonikaseadmete jäätmeid ei tohi visata sortimata olmejäätmete hulka.

Leitz TruSens õhupuhastid on varustatud ka UV-C kiirgajaga. Selle eseme väljavahetamisel (toote eluea jooksul) tuleb need ka tagastada ja utiliseerida kohalikus elektri- ja elektroonikaseadmete jäätmete kogumiskeskuses.

Lisateavet ja UV-C kiirguri paigaldusjuhendeid / videoid ¹⁹² leiate aadressilt www.leitz.com

ESILETÕSTETUD OMADUSED



SensorPod™

Kaugjuhitav õhukvaliteedi monitor, mis tagab puhtama õhu täpselt seal, kus seda vajate.



PureDirect™-i tehnoloogia

Sõltumatud laborikatsed on kinnitanud, et kaks õhuvoolu, mis liigutavad õhku tõhusalt ja mugavamalt kogu ruumis ringi, on parem kui üks õhuvool.



Teavitab ja kohandub

Valgustatud värvikoodidega rõngas pakub täiendavat teavet tänu reaalajas õhukvaliteedi edastamisele.



360° puhastamine

HEPA-filter püüab igast suunast kinni saasteained ja lenduvaid orgaanilisi ühendeid sisaldavad gaasid/lõhnad. UVC-valgus hävitab mikroobid ja bakterid, mis võivad filtrisse kinni jääda.

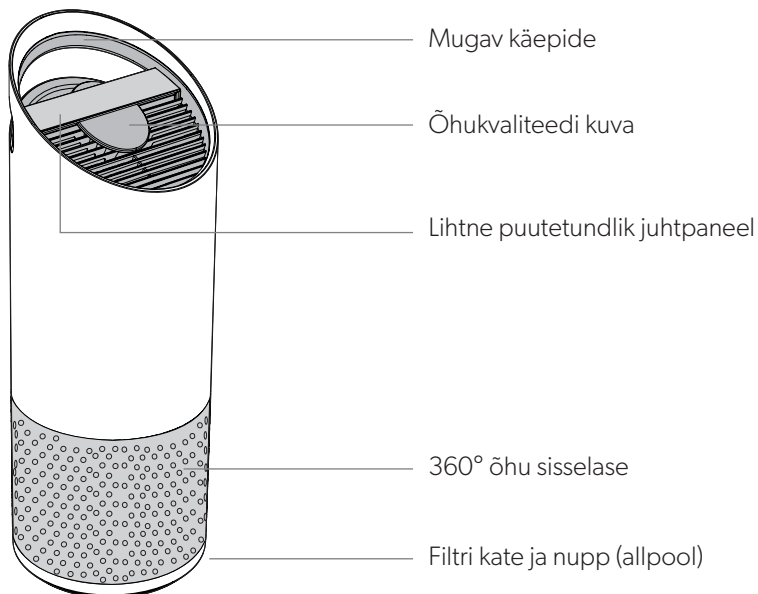


Läbimõeldud teostus

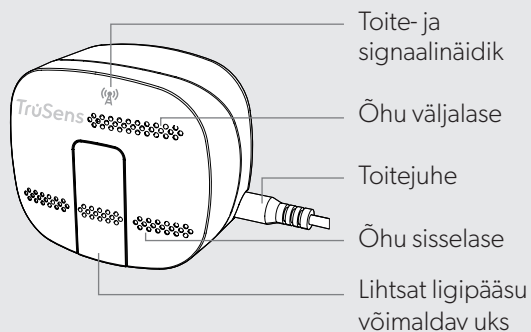
Erakordne funktsionaalsus koos tänapäevase disainiga, mis sobib igasse keskkonda.

TOOTE ÜLEVAADE

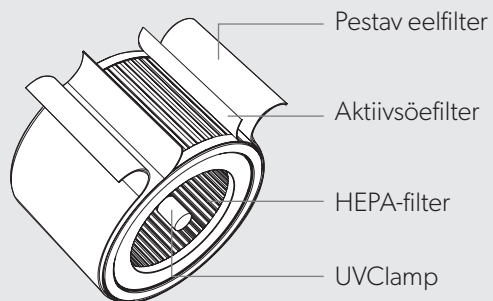
Õhupuhasti



SensorPod™



Filter ja UVClamp

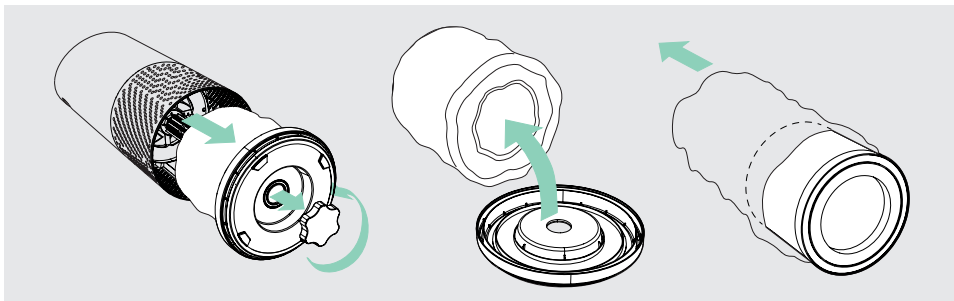


ALUSTAMINE



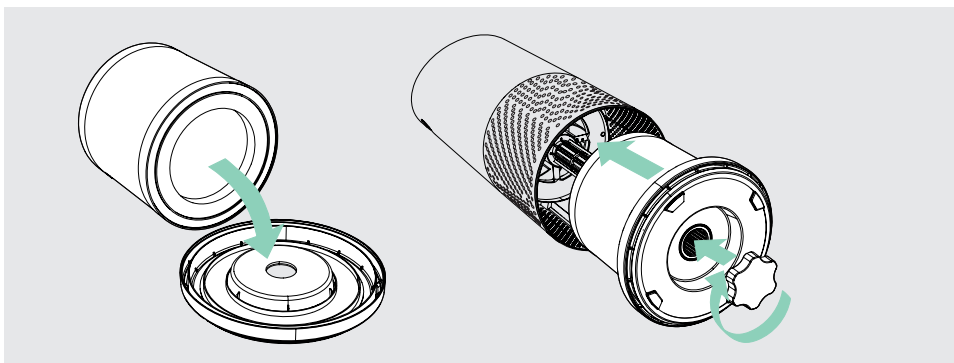
1. Eemaldage filtrilt kilekott

Kruvige lahti alumine kate ja eemaldage filtrilt kilekott.



2. Paigaldage filter uuesti

Kinnitage filter alumise katte külge ning asetage uuesti õhupuhasti sisse.



3. Seadistamine

Ühendage SensorPod vooluvõrku.

Asetage SensorPod™ püsti lauale või tööpinnale teises toa otsas õhupuhasi vaateväljas.

Ühendage õhupuhasi vooluvõrku ja lülitage sisse.

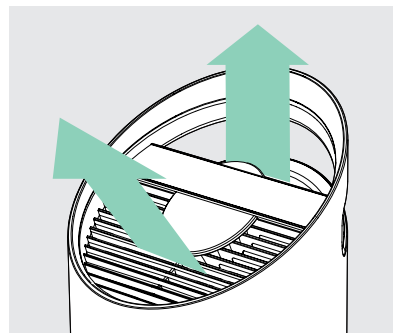
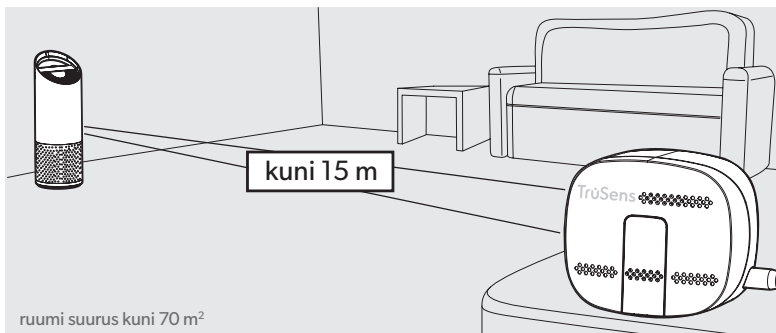
Asetage õhupuhasi tasasele pinnale takistustest eemale

- kus õhk pääseb vabalt igast küljest õhupuhasisse
- vältides sisustuskangaid, nagu kardinaid ja voodipesu, ning soojus- ja niiskusallikaid.

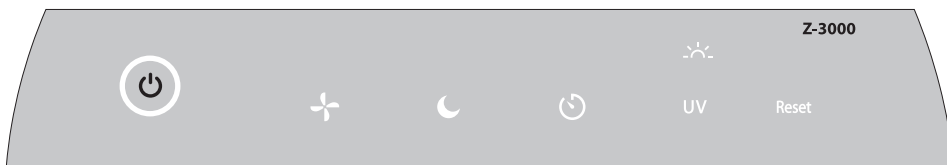
Signaali tugevus võib sõltuvalt asukohast varieeruda. Neil harvadel juhtudel, kui see ei toimi, vaadake lk 205.

4. Nautige elu puhtama õhuga!

Õhupuhasi reguleerib ventilaatori kiirusi automaatselt SensorPodi õhukvaliteedi näitude põhjal ja ainulaadne PureDirect™-i tehnoloogia suunab puhastatud õhu kõikjale ruumi!



JUHTPANEEL



Toitenupp



Ventilaatori kiiruse seaded

Valige ventilaatori kiirus või automaatrežiim. Automaatrežiimis reguleerib õhupuhasti ventilaatori kiirust automaatselt, tuginedes SensorPodi õhukvaliteedi näitudele.

(Automaatrežiim on saadaval ainult siis, kui õhupuhasti on ühendatud SensorPodiga ja võtab vastu signaali.)



Õörežiim

Magamise ajal kasutamiseks lülitub ekraanivalgustus välja, ilma et see mõjutaks õhupuhasti tõhusust. Kõigi kuvafunktsioonide taastamiseks vajutage lihtsalt uuesti nuppu.



Taimerirežiim

Õhupuhasti lülitub pärast 2, 4, 8 või 12 tunni möödumist automaatselt välja. Loenduse tühistamiseks vajutage lihtsalt nuppu, kuni taimeri seadistust enam ei kuvata.



UV-režiim

UVC-lamp õhupuhasti filtrikambris on sisse lülitatud, kui sümbol ☀️ on valge. Sümbol ☀️ süttib punaselt põlema, kui on aeg UVC-lamp välja vahetada.

(Juhiseid vt lk 202.)

Reset

Filtri ja UV-näidiku lähtestamine

Kui on aeg vastavate filtrite vahetamiseks, süttivad näidikud „HEPA“, „Carbon“ ja „UV“ punaselt põlema. Kui põleb 1 näidik, hoidke lihtsalt lähtestamise nuppu (Reset) 3 sekundit all, et see näidik lähtestada. Kui põlevad 2 või enam näidikut, puudutage lähtestamise nuppu (Reset), et valida sobiv näidik (valitud näidik vilgub) ning seejärel hoidke seda lähtestamiseks 3 sekundit all.

(Vt lehekülgedel 200–202 juhiseid vahetuste kohta. Pärast filtri vahetamist järgige ülaltoodud näidiku lähtestamise juhiseid.)

ÕHUKVALITEEDI KUVA

Reaalajas tagasiside

Revolutsiooniline SensorPod™ hindab teie õhu seisundit, mõõtes nii väikeste (PM2,5) kui ka suuremate (PM10) tahkete osakeste sisaldust. See arvutab välja üldise õhukvaliteedi, kasutades ainulaadset algoritmi, mis reageerib saasteainete tõelisele suurenemisele, vältides ülereageerimist tuppa sisenemisele või diivanile istumisele.

Valgustatud värvikoodidega kuva edastab infot hea, mõõduka või halva õhukvaliteedi kohta ning numbriline väärtus tagab suurema detailsuse.

Automaatrežiimis reguleerib õhupuhasti automaatselt ventilaatori kiirust vastavalt õhukvaliteedi näitudele.

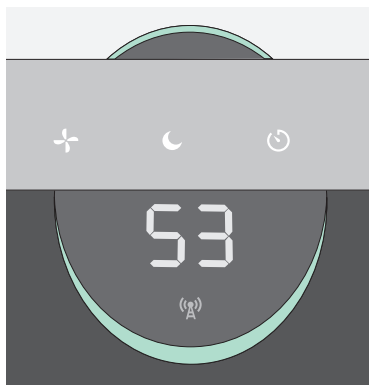
HEA

SININE | 0 - 50



KESKMIINE

KOLLANE | 50 - 100



HALB

PUNANE | 100 - 500



TEHNILISED ANDMED

Õhu sisselase	360°
Õhk vahetub 2 korda tunnis	70 m ²
Õhuvarustuse tüüp	PureDirect™
Andur	SensorPod™, töötab õhupuhasdist kuni 15 m kaugusel
Ventilaatori kiiruse seaded	Whisper, 1, 2, 3, Turbo
Puhastustasemed	pestav eelfilter, aktiivsöefilter, HEPA-filter, UVC-lamp
Taimeri seaded	2, 4, 8, 12 tundi
Filtri vahetamise näidikud	„Carbon“, „HEPA“, „UV“
Müra	32–66 dB
Mõõtmed	263 x 263 x 726 mm
Kaal	5,7 kg
Mootori tüüp	DC-mootor
Nõuded võimsusele	220–240 V 50 Hz / 60 Hz 0,5 A
Energiatarve	68 W
Garantii	2 aastat

Asendusfiltrid ja UVC-lamp

Kolm ühes HEPA trummelfilter	2415110
Aktiivsöefilter (3 tk pakis)	2415109
UVC-lamp	2415111

HOOLDUS

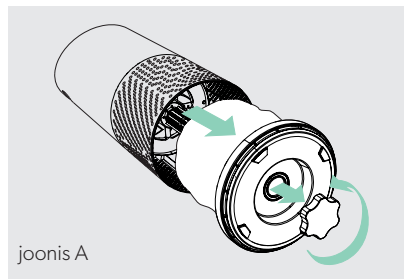
Juurdepäas filtrikambrile

1. Lülitage õhupuhasti alati välja, vajutades toitenuppu ja eemaldades toitejuhtme vooluvõrgust.
2. Asetage seade õrnalt küljeli põrandale, nii et filtrikambri kate ja nupp oleksid nähtaval.
3. Pöörake nuppu vastupäeva ja eemaldage filtrikambri kate ning 360° HEPA trummelfilter (joonis A).

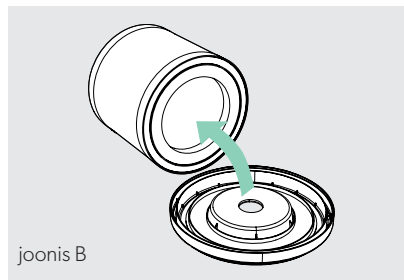
HEPA-FILTRI VAHETAMINE

1. Kui on aeg HEPA trummelfiltri vahetuseks, hakkab näidik „HEPA“ punaselt põlema.
2. Tõmmake HEPA trummelfilter ettevaatlikult oma kohalt filtri kattes välja (joonis B).
3. Kinnitage uus HEPA-filtri kate külge (joonis C).
4. Asetage filtri kate ja trummelfilter õrnalt tagasi filtrikambri sisse ja keermele ning keerake nuppu päripäeva, kuni nupp ja filtri kate on kindlalt kinni (joonis D).
5. Ühendage õhupuhasti vooluvõrku ja lülitage sisse. Hoidke lähtestamise nuppu (Reset) all, kuni punane HEPA-näidik välja lülitub.

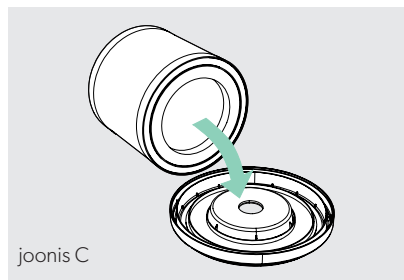
Märkus. HEPA trummelfiltril (vt lk 199) on 3 kihti: pestav eelfilter, aktiivsefilter ja HEPA-filtri



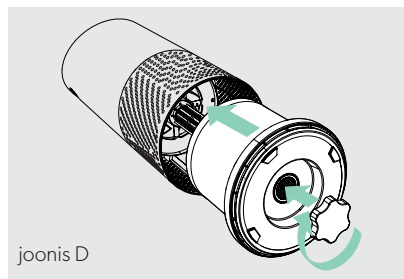
joonis A



joonis B



joonis C



joonis D

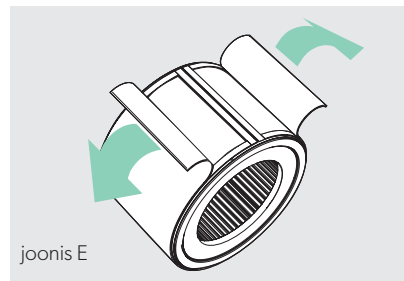
AKTIIVSÖEFILTRI VAHETAMINE

1. Söefiltri näidik süttib punaselt põlema, kui on aeg söekiht välja vahetada.
2. Eemaldage eelfilter õrnalt kinnitusribadelt (joonis E).
3. Eemaldage kasutatud söekiht õrnalt kinnitusribadelt (joonis F).
4. Mähkige uus söekiht filtritrumli ümber ja kinnitage samade kinnitusribade külge (joonis G).
5. Mähkige eelfilter ümber söekihi ja kinnitage kinnitusribade külge (joonis H).
6. Kui õhupuhasti on sisse lülitatud, hoidke lähtestamise nuppu (Reset) all, kuni punane söefiltri näidik välja lülitub.

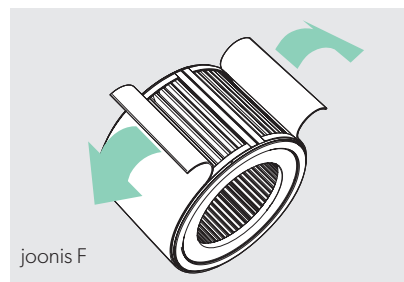
Märkus. Aktiivsöefiltri kolmene pakk (vt lk 199) hõlmab kolme söefiltrivahetust, mis on vajalikud iga HEPA trummelfiltri vahetuse vahel (vt lk 200).

EELFILTRI PESEMINE

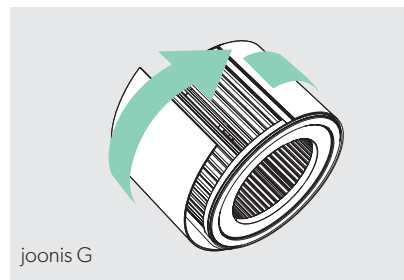
1. Soovitame eelfiltrit iga kuu visuaalselt kontrollida ja vajadusel puhastada. Minimaalselt peaksite eelfiltrit käsitsi pesema iga kord, kui vahetate aktiivsöefiltrit.
2. Eemaldage pestav eelfilter õrnalt kinnitusribadelt (joonis E).
3. Loputage õrnalt voolava vee all – laske eelfiltril enne selle uuesti paigaldamist õhu käes kuivada.
4. Mähkige eelfilter ümber filtritrumli ja kinnitage kinnitusribade külge (joonis H).



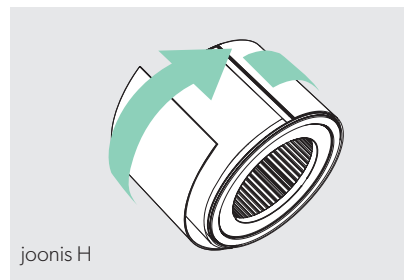
joonis E



joonis F





joonis G

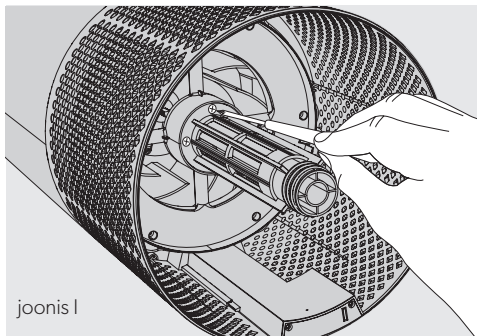


joonis H

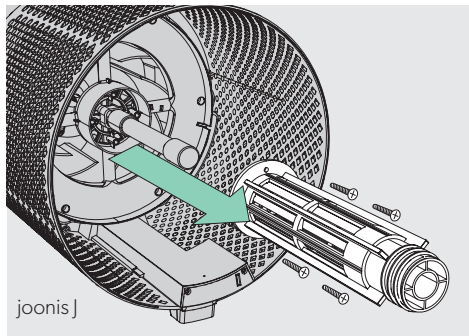
UVC-LAMBI VAHETAMINE

1. Näidik  süttib punaselt põlema, kui on aeg UVC-lamp välja vahetada.
2. Eemaldage HEPA filtritrummel (joonis A) ning kasutage kruvikeerajat, et eemaldada 4 kruvi, mis hoiavad kinni UV-korpust (joonis I).
3. Eemaldage õrnalt UV-korpus (joonis J).
4. Eemaldage UVC-lamp õhupuhastis olevast pesast (joonis K).
5. Uus UVC-lamp (vt lk 199) tuleb paigaldada otse samasse pesa (joonis L).
6. Pange UV-korpus tagasi oma kohale ja keerake kinnituskruvid kruvikeerajaga kinni.
7. Kui õhupuhasti on sisse lülitatud, hoidke lähtestamise nuppu (Reset) all, kuni näidik  valgeks muutub.

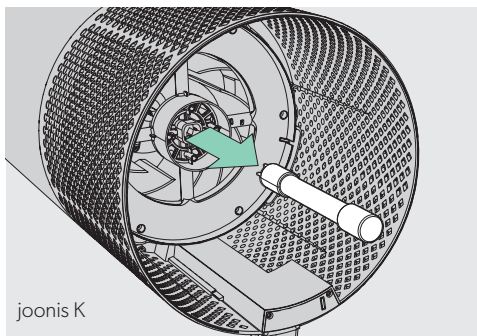
Märkus. Palun viige eemaldatud UV-kiirgur kõrvaldamiseks kohalikku elektri- ja elektroonikaseadmete jäätmete kogumispunkti.



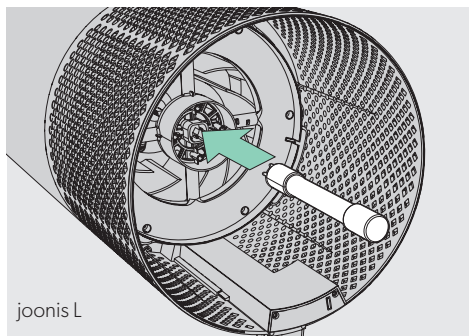
joonis I



joonis J



joonis K



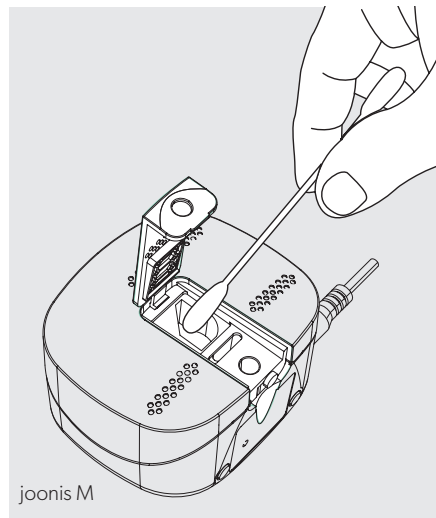
joonis L

SENSORPOD™-I PUHASTAMINE

Õhukvaliteedi anduri puhastamine

SensorPod™ kasutab tahkete osakeste tuvastamiseks infrapunavalgust. Seega on oluline puhastada tolmuanduri kambrit iga 1–2 kuu tagant, et eemaldada tolmu või osakesed, mis võivad mõjutada anduri näitude täpsust.

1. Lülitage SensorPod välja, eemaldades toitejuhtme vooluvõrgust.
2. Avage esiküljel olev lihtsat ligipääsu võimaldav uks, tõstes selle 90° nurga alla.
3. Pühkige tolmuanduri läätse ja sisselaskeala niiske vatitupsuga (joonis M).
4. Kuivatamiseks kasutage kuiva vatitupsu.
5. Sulgege kaas, langetades selle alla ja libistades tagasi oma kohale, kuni kuulete klõpsatust.



joonis M


KKK JA VEAOTSING

<p>Kuhu peaksin SensorPod™-i asetama?</p>	<p>Ükskõik kuhu, kus soovite ruumi õhukvaliteeti mõõta! Optimaalsete tulemuste saavutamiseks asetage SensorPod™ õhupuhastist kuni 15 meetri kaugusele tööpinnale või lauale, nii et see jääks õhupuhasti vaatevälja. Automaatrežiimis jaotab õhupuhasti puhast õhku seni, kuni SensorPod™ tuvastab nõuetekohase õhukvaliteedi taseme.</p>
<p>Kui tihti pean filtreid vahetama?</p>	<p>See on lihtne! Õhupuhasti vahetamise vajadusele viitavad näidikud hakkavad põlema, kui on aeg söe- või HEPA-filtri või UVC-lambi vahetuseks. Arvestada tuleb sellega, et aktiivsõefiltrit peaks vahetama iga 3–4 kuu järel, HEPA-filtrit iga 12–15 kuu järel ja UVC-lampi iga 1–3 aasta järel.</p>
<p>Kui tihti tuleb eelfiltrit pesta?</p>	<p>Eelfilter peab kinni suuremad osakesed ja säilitab teiste filtrite tõhususe, mistõttu soovitame teil eelfiltrit iga kuu visuaalselt kontrollida ja vajadusel pesta. Teine hea harjumus on eelfiltrit pesta iga kord, kui sõefiltri välja vahetate.</p>
<p>Kui tihti tuleb SensorPodi tolmuandurit puhastada?</p>	<p>Õhukvaliteedi täpsemaks mõõtmiseks soovitame tolmuanduri pinda puhastada iga 1–2 kuu järel.</p>
<p>Õhupuhasti ei hakka tööle.</p>	<p>Veenduge, et toitejuhe on kindlalt ühendatud nii pistikupesa kui ka õhupuhastiga. Kontrollige, kas tegemist võib olla elektrikatkestusega, proovides samasse pistikupessa ühendada lampi või muud seadet.</p> <p>Kontrollige, kas HEPA-filter on filtrikambrisse korrektselt paigaldatud.</p> <p>Kui probleem püsib, võtke palun meiega ühendust! (lk 206).</p>

KKK JA VEAOTSING

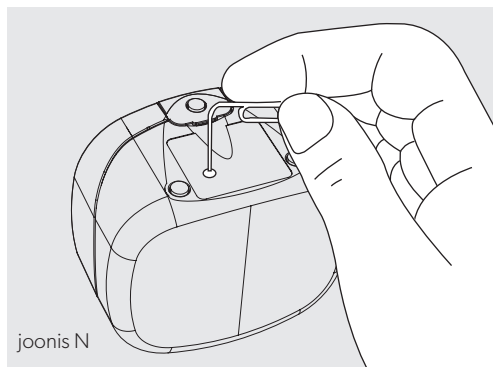
<p>Õhupuhasti ei lülitu automaatrežiimile.</p> <p>või</p> <p>Õhukvaliteedi näidikud on väljas.</p> <p>või</p> <p>Õhupuhasti anduri signaalinäidik vilgub.</p>	<p>Esmalt kontrollige, kas SensorPod on vooluvõrku ühendatud ja selle tuli põleb püsivalt.</p> <p>Järgmisena kontrollige, et SensorPod ei oleks õhupuhastist liiga kaugel (toimimisulatus kuni 15 m).</p> <p>Kui mõlema kontrolli tulemused on rahuldavad ja ühendus endiselt ei toimi, lugege allolevaid juhiseid SensorPodi ühenduse parandamiseks.</p>
<p>Olen SensorPodi kaotanud!</p>	<p>Ärge muretsege! Palun võtke ühendust meie klienditoe meeskonnaga ja saate tellida uue SensorPodi eelmist asendama. Järgige alltoodud lihtsaid juhiseid oma SensorPodi asendusseadme ja olemasoleva õhupuhasti sidumiseks!</p>

SensorPod™-i ja õhupuhasti sidumine

SensorPod suhtleb õhupuhastiga raadiosagedussignaalide abil. See seotakse juba tootmisliinil õhupuhastiga ning on pakendi avamisel kasutusvalmis. Kui mõnel harval juhul peaks signaal katkema, vilgub õhupuhasti anduri signaalinäidik.  Ühenduse saab taastada vaid mõne lihtsa sammuga.

1. Eemaldage SensorPod vooluvõrgust.
2. HOIDKE õhupuhasti toitenuppu 3 sekundit all, kuni kuulete kahte heli.
3. Ühendage SensorPod vooluvõrku ja kasutage väikese otsaga eset (nt kirjaklambrit), et suruda SensorPodi all olev sidumisnupp alla ja HOIDA seda 5–7 sekundit (joonis N).

4. Ühendus on loodud, kui õhupuhasti anduri signaalinäidik põleb ilma vilkumata ning õhukvaliteedi näidikud lülituvad sisse.



GARANTII

Sellele seadmele kehtib tavapärase kasutuse korral tootja antav garantii kahe aasta jooksul alates ostukuupäevast. Garantii perioodil võib ACCO defektse seadme omal äranägemisel tasuta ära parandada või asendada. Seadme väärkasutusest või ebasobival eesmärgil kasutusest tulenevad defektid garantii alla ei kuulu. Nõutav on ostukuupäeva tõendamine. Ettevõtte ACCO volitamata isikute tehtud remont või muudatused teevad garantii kehtetuks. Meie eesmärk on tagada, et meie seadmed vastaksid märgitud spetsifikatsioonidele. Siinne garantii ei mõjuta seaduslikke õigusi, mis tarbijatel on kauba müüki reguleerivate siseriiklike kehtivate õigusaktide alusel.

TUGI

Täname, et valisite oma koju TruSens™-i toote. Meie kliendid on meie jaoks kõige tähtsamad ning me püüame luua tooteid, mis sobituvad teie elustiiliga. Kui teil on küsimusi või kommentaare, võtke meiega ühendust!

Külastage meie veebisaiti: www.leitz.com/trusens

Kirjutage meile: baltic@acco.com

Helistage meile: + 46 (0)8 705 15 62 or + 358 9 7510 4200

Garantii registreerimiseks ja aktiveerimiseks minge aadressile: www.leitz.com/register

TruSens™

Lai arī lūdzam tīrā gaisā ar TruSens. Pateicamies, ka ļāvāt mums pievienoties jūsu ceļojumā pretim labklājībai.

Gaisam, kuru elpojat, ir jābūt tīram, neraugoties uz to, kurā telpas vietā atrodaties. TruSens SensorPod™, PureDirect™ tehnoloģija un filtrēšana 360° lenķī nodrošina, ka visa telpa iegūst tīrāku gaisu.

DROŠĪBAS INFORMĀCIJA

IZLASIET UN IEVĒROIET ŠOS NORĀDĪJUMUS!

Pirms filtru vai UVC starojuma lampas nomaiņas vai arī ja ierīce netiek izmantota, izņemiet ierīces kontaktdakšu no ligzdas vai atvienojiet to no elektroapgādes.



BRĪDINĀJUMS! Lai samazinātu ugunsgrēka vai strāvas trieciena risku, neizmantojiet gaisa tīrītāju ar cietvielu ātruma vadības ierīci.

Nenovietojiet gaisa tīrītāju, ja tā vads vai kontaktdakša ir bojāta vai ja sienas kontaktlīgzda nav cieši nostiprināta. Ja ir bojāts ierīces elektroapgādes vads, lai izvairītos no briesmām, tas jānomaina ražotājam, viņa klientu apkalpošanas pārstāvim vai atbilstoši kvalificētām personām.

Nenovietojiet vadu zem paklājiem, tepiķiem, grīdceļiņiem vai līdzīgiem pārsegumiem. **Nenovietojiet** vadu zem mēbelēm vai ierīcēm. Izvietojiet vadu tā, lai tas atrastos tālāk no vietām, pa kurām notiek kustība, un personas nepakluptu, aizķeroties aiz tā.



BRĪDINĀJUMS! Tieša skatīšanās uz gaismu, ko izstaro šīs ierīces UVC starojuma lampa, var radīt ādas un acu bojājumus. Nepareiza ierīces izmantošana vai tās korpusa bojājumi var izraisīt bīstamu UVC starojuma noplūdi. UVC starojums, pat nelielās devās, var radīt acu un ādas bojājumus. Veicot tehnisko apkopi vai nomainot lampu, vienmēr atvienojiet ierīci no elektroapgādes. UVC starojuma lampu nomainiet pret vienību ar Nr. 2415108 (modelim Z-2000) vai 2415111 (modelim Z-3000), ko ražojis "ACCO Brands".

- Pirms lietošanas noņemiet visu iepakojumu, ieskaitot maisiņu, kurā iesaiņots filtrs.
- Nedrīkst izmantot ierīces, kurām ir skaidri redzami bojājumi.
- Šo ierīci ir atļauts savienot tikai ar sienas kontaktlīgzdu, kura atbilst elektroapgādei paredzētās kontaktdakšas tipam un vērtībām, kas norādītas ierīces datu plāksnītē.
- Novietojiet gaisa tīrītāju netālu no sienas kontaktlīgzdas un neizmantojiet pagarinātājauklas.
- Šo ierīci var izmantot bērni, kas ir sasnieguši vismaz 8 gadu vecumu, un personas ar ierobežotām fiziskām, sensorām vai garīgām spējām, kā arī pieredzes un zināšanu trūkumu, ja viņi tiek uzraudzīti vai informēti par drošu šīs ierīces izmantošanu un saprot ar to saistītās briesmas.
- Bērni nedrīkst spēlēties ar šo ierīci, tīrīt to vai veikt tās tehnisko apkopi.
- Nomainiet UVC starojuma lampu pret šajā instrukcijā norādīto modeli.
- Nemēģiniet pašrocīgi veikt šīs ierīces tehnisko apkopi vai remontu.
- Izmantojiet gaisa tīrītāju un SensorPod™ tikai ar komplektācijā iekļauto elektroapgādes kabeli.
- Tīriet šo ierīci tikai ar mitru drānu, neizmantojiet šķīdinātājus vai balinātāju.
- Pirms ierīces darbināšanas pārliecinieties, ka tā vienmēr ir novietota uz cietas, līdzenas virsmas.
- Nebloķējiet un nenesedziet gaisa ieplūdes vai ventilācijas izplūdes atveres.
- Nelieciet pirkstus vai citus priekšmetus gaisa ieplūdes vai ventilācijas izplūdes atverēs.
- Ja gaisa tīrītājs darbojas gaidstāves režīmā, SensorPod™ turpina pārraidīt signālus/datus.

Darba frekvence

Bezvadu tīkls: 2462 MHz

Maksimālā raidītāja jauda (EIRP)

Bezvadu tīkls: 0 dBm

Antenas pastiprinājums

Bezvadu tīkls: 2 dBi

Ar šo "ACCO UK Ltd." apliecina, ka radioiekārtas TruSens Air Purifier Z-2000 un Z-3000 modeļi atbilst prasībām, kas ietvertas Eiropas Parlamenta un Padomes Direktīvā 2014/53/ES.

Pilns ES atbilstības deklarācijas teksts ir pieejams tālāk norādītajā interneta adresē:
<https://declarations.accobrands.com/>.

Starp lietotāja ķermeni un ierīci jānodrošina vismaz 0,2 m attālums, lai tiktu ievērotas prasības attiecībā uz radiofrekvenču iedarbību.

Elektrisko un elektronisko iekārtu atkritumi (EEIA)

Šis produkts tā darbības beigās ir uzskatāms par EEIA. Ir svarīgi ievērot, ka EEIA nedrīkst apglabāt kā nešķīrotus sadzīves atkritumus. Tie ir jāsavāc atsevišķi, lai tos varētu izjaukt un komponentus un materiālus varētu pārstrādāt, atkārtoti izmantot un reģenerēt (kā degvielu enerģijas reģenerācijai, ražojot elektrību). EEIA savākšanai pašvaldības ir izveidojušas publiskus savākšanas punktus, kas jums ir pieejami bez maksas. Lūdzu, nogādājiet savus EEIA savākšanas punktā jūsu mājas vai biroja tuvumā.

Ja jums neizdodas atrast savākšanas punktu, jūsu EEIA pieņems mazumtirgotājs, kas jums pārdeva produktu. Ja jūs vairs nesazināties ar mazumtirgotāju, lūdzu, sazinieties ar „ACCO”, lai iegūtu palīdzību šajā jautājumā.

EEIA pārstrādes mērķis ir aizsargāt vidi, aizsargāt cilvēku veselību, saglabāt izejmateriālus, uzlabot ilgtspējīgu attīstību un nodrošināt labāku preču piegādi Eiropas Savienībā. Tas tiks panākts, iegūstot vērtīgus sekundāros izejmateriālus un samazinot atkritumu apglabāšanu. Jūs varat palīdzēt sasniegt šos mērķus, nododot savus EEIA savākšanas punktā. Jūsu produkts ir marķēts ar EEIA simbolu (pārsvītrotu atkritumu tvertni). Šis simbols jūs informē, ka EEIA nedrīkst apglabāt kā nešķīrotus sadzīves atkritumus. Leitz TruSens gaisa attīrītāji ir aprīkoti arī ar UV-C izstarotāju. Nomainot šo priekšmetu (produkta kalpošanas laikā), tie arī jāatgriež un jāiznīcina vietējā EEIA savākšanas vietā.

Papildinformāciju un UV-C izstarotāja uzstādīšanas rokasgrāmatas / video var atrast vietnē www.leitz.com

INFORMĀCIJA PAR FUNKCIJĀM



SensorPod™

Attālais gaisa kvalitātes pārraugs nodrošina tīrāku gaisu tieši tur, kur nepieciešams.



PureDirect™ tehnoloģija

Neatkarīgi veikti laboratoriskie pētījumi liecina, ka divas gaisa plūsmas ir labāk par vienu, nodrošinot efektīvu un ērtāku gaisa apmaiņu visā telpā.



Informē un adaptējas

Krāskodētais izgaismotais gredzens sniedz papildu informāciju par gaisa kvalitāti reāllaikā.



Attīrīšana 360 grādu leņķī

HEPA filtrs uztver sārņus un gaistošu organisko savienojumu gāzes/smakas no visiem virzieniem. UV-C gaismā nogalina mikrobus un baktērijas, kas var nokļūt filtrā.

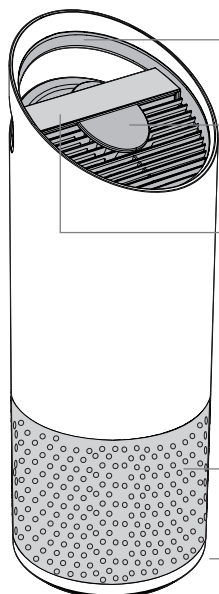


Pārdomāta darbība

Izcila funkcionalitāte mūsdienīgā dizainā, kas iederas jebkurā vidē.

PRODUKTA PĀRSKATS

Gaisa attīrītājs



Rokturis ērtai pārvietošanai

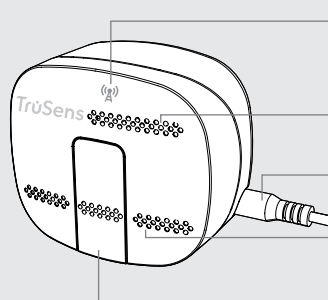
Gaisa kvalitātes displejs

Vienkāršs skārienvadības panelis

Gaisa ieplūde 360 grādu leņķī

Filtra pārsegs un grozāmpoga (apakšpusē)

SensorPod™



Ieslēgšanas un signāla indikators

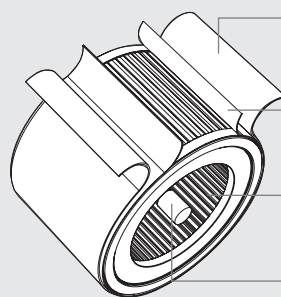
Gaisa izplūdes atvere

Barošanas vads

Gaisa ieplūdes atvere

Vāks vieglai piekļuvei

Filtrs un UV-C lampa



Mazgājams priekšfiltrs

Aktīvās ogles filtrs

HEPA filtrs

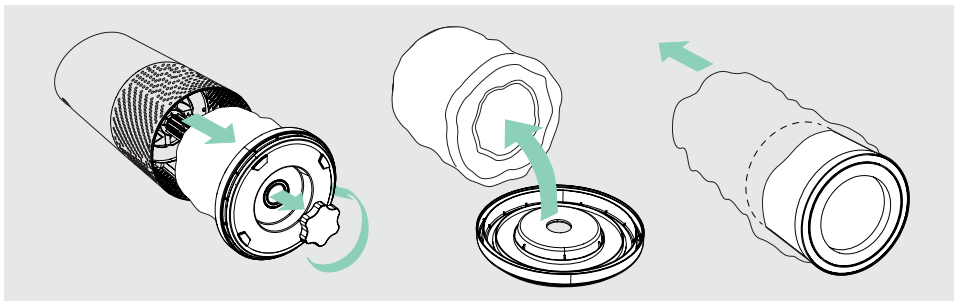
UV-C lampa

LIETOŠANAS SĀKUMS



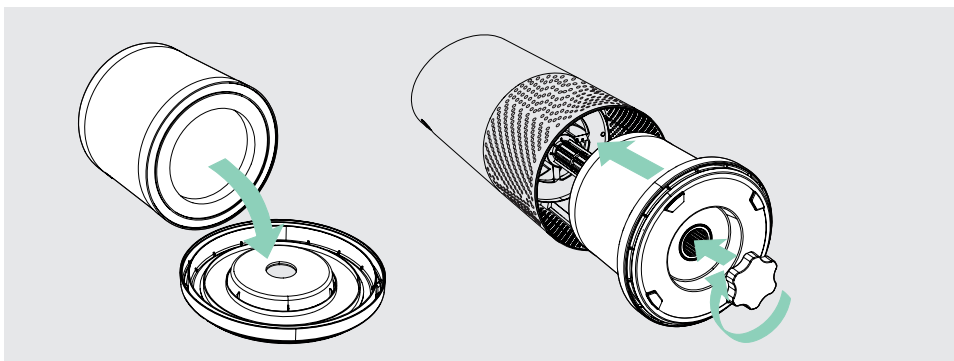
1. Noņemiet no filtra plastmasas maisiņu.

Atskrūvējiet apakšējo pārsegu un noņemiet plastmasas maisiņu no filtra.



2. Piestipriniet filtru no jauna.

Piestipriniet filtru apakšējam pārsegam un ievietojiet to atpakaļ gaisa attīrītājā.



3. Sagatavojiet ierīci.

Iespraudiet SensorPod kontaktdakšu ligzdā.

Novietojiet SensorPod stāvus uz galda virsmas vai darba virsmas otrā istabas pusē gaisa attīrītāja uztveršanas zonā.

Iespraudiet gaisa attīrītāja kontaktdakšu ligzdā un ieslēdziet ierīci.

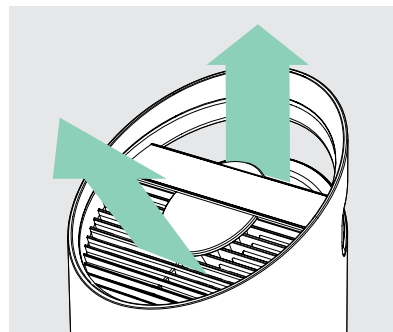
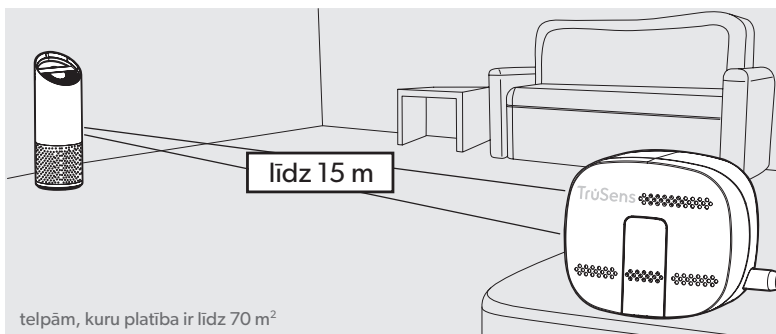
Novietojiet gaisa attīrītāju uz līdzenas virsmas pietiekamā attālumā no šķēršļiem,

- kur gaiss var brīvi ieplūst gaisa attīrītājā no visām pusēm;
- izvairoties no mīksta mēbelējuma, piemēram, aizkariem un gultas piederumiem, kā arī siltuma vai mitruma avotiem.

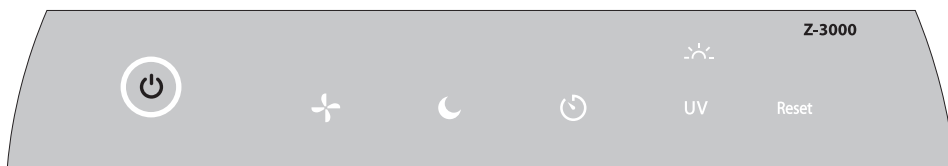
Signāla stiprums var atšķirties atkarībā no atrašanās vietas. Gadījumā, ja tas nedarbojas, skatiet 222. lappusi.

4. Sāciet dzīvot, baudot tīrāku gaisu!

Attīrītājs automātiski regulē ventilatora ātrumu atkarībā no SensorPod gaisa kvalitātes rādījumiem, un unikālā PureDirect™ tehnoloģija nodrošina attīrītu gaisu visā istabā!



VADĪBAS PANELIS



Barošanas poga



Ventilatora ātruma iestatījumi

Izvēlieties ventilatora ātrumu vai automātiskas darbības režīmu. Automātiskas darbības režīmā gaisa attīrītājs automātiski noregulē ventilatora ātrumu atkarībā no SensorPod gaisa kvalitātes rādījumiem.

(Automātiskas darbības režīms ir pieejams tikai tad, ja attīrītājs ir savienots pāri ar SensorPod un uztver signālu.)



Nakts režīms

Displeja izgaismojums tiek izslēgts – lietošanai, kamēr gulat –, nezaudējot gaisa attīrītāja efektivitāti.

Vienkārši nospiediet šo pogu vēlreiz, lai atjaunotu visas displeja funkcijas.

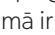



Taimera režīms

Gaisa attīrītājs tiks automātiski izslēgts pēc 2, 4, 8 vai 12 stundām. Lai šo laika atskaiti atceltu, vienkārši spiediet pogu, līdz taimera iestatījums vairs netiek rādīts.



Ultravioletās gaismas režīms

UV-C lampa gaismas spuldze gaisa attīrītāja filtra nodalījumā ir ieslēgta, ja simbols  deg baltā krāsā. Simbols  deg sarkanā krāsā, ja nepieciešams nomainīt UV-C lampu.

(Norādījumus skatiet 219. lappusē.)

Reset

Filtra un ultravioletās gaismas indikatora atiestatīšana
Indikatori "HEPA", "Carbon" un "UV" deg sarkanā krāsā, ja pienācis laiks tos nomainīt.

Ja deg 1 indikators, vienkārši turiet pogu Reset (Atiestatīt) nospiestu 3 sekundes, lai atiestatītu šo indikatoru.

Ja deg 2 vai vairāk indikatori, pieskarieties pogai Reset (Atiestatīt), lai izvēlētos attiecīgo indikatoru (izvēlētais indikators mirgo), un pēc tam turiet pogu Reset (Atiestatīt) nospiestu 3 sekundes, lai atiestatītu šo indikatoru.

(Norādījumus par nomainīšanu skatiet 217.–219. lappusē. Pēc filtra nomainīšanas izpildiet iepriekš minētos atiestatīšanas norādījumus.)

GAISA KVALITĀTES DISPLEJS

Atgriezeniskā saite reāllaikā

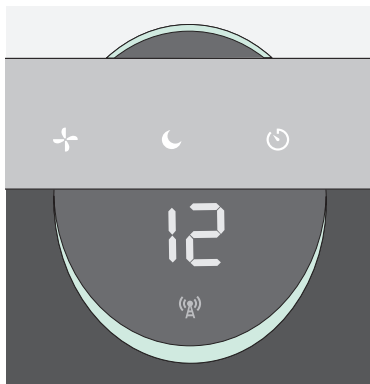
Revolucionārais SensorPod™ izvērtē gaisa stāvokli, izmērot gan mazās (PM2.5), gan lielākas (PM10) daļiņas. Tas aprēķina kopējo gaisa kvalitāti, izmantojot unikālu algoritmu, kas reaģē uz faktisko sārņu pieaugumu, taču nereaģē pārmērīgi, kad kāds ienāk telpā vai apsēžas uz dīvāna.

Izgaismotais krāskodētais displejs sniedz informāciju par labu, vidēju vai sliktu gaisa kvalitāti, un skaitliska vērtība sniedz sīkāku informāciju.

Automātiskas darbības režīmā gaisa attīrītājs automātiski regulē ventilatora ātrumu atkarībā no šiem gaisa kvalitātes rādījumiem.

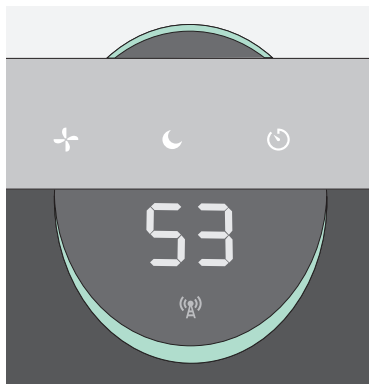
LABA

ZILA | 0 - 50



VIDĒJA

DZELTENA | 50 - 100



SLIKTA

SARKANA | 100 - 500



SPECIFIKĀCIJAS

Gaisa ieplūdes atvere	360°
Gaisa nomaiņa 2 reizes stundā	70 m ²
Gaisa piegādes veids	PureDirect™
Sensors	SensorPod™, darbojas līdz 15 m attālumā no attīrītāja
Ventilatora ātruma iestatījumi	Whisper, 1, 2, 3, Turbo
Attīrīšanas līmeņi	mazgājams priekšfiltrs, aktīvās ogles filtrs, HEPA, UV-C lampa
Taimera iestatījumi	2, 4, 8, 12 stundas
Filtru nomaiņas indikatori	Carbon, HEPA, UV
Troksnis	32–66 dB
Izmēri	263 x 263 x 726 mm
Svars	5,7 kg
Motora veids	līdzstrāvas motors
Barošana	220–240 V 50 Hz/60 Hz 0,5 A
Enerģijas patēriņš	68 W
Garantija	2 gadi

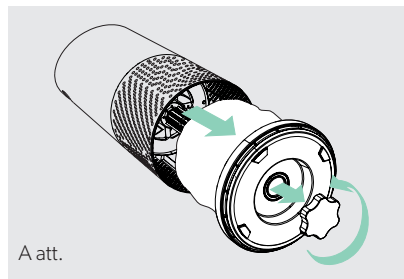
Rezerves filtri un UV-C lampa

Trīs vienā HEPA cilindriskais filtrs	2415110
Aktīvās ogles filtrs (3 gab. komplekts)	2415109
UV-C lampa	2415111

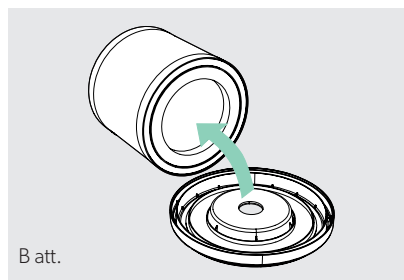
KOPŠANA UN APKOPE

Piekļuve filtra nodalījumam

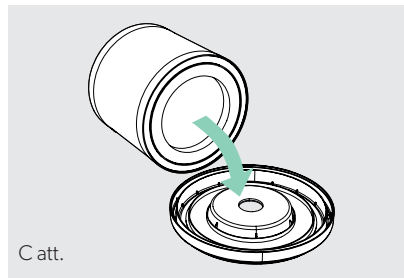
1. Vienmēr izslēdziet gaisa attīrītāju, nospiežot barošanas pogu un atvienojot barošanas vadu.
2. Uzmanīgi novietojiet iekārtu uz tās sāna uz grīdas, lai filtra nodalījuma pārsegs un grozāmpoga būtu redzami.
3. Pagrieziet grozāmpogu pretēji pulksteņa rādītāju kustības virzienam un noņemiet filtra nodalījuma pārsegu un cilindrisko 360° HEPA filtru (A att.).



A att.



B att.

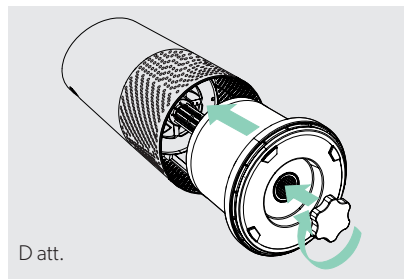


C att.

HEPA FILTRA NOMAIŅA

1. HEPA indikators deg sarkanā krāsā, ja nepieciešams nomainīt visu cilindrisko HEPA filtru.
2. Uzmanīgi izvelciet cilindrisko HEPA filtru ārā no tā stiprinājuma vietas filtra pārsegā (B att.).
3. Nostipriniet rezerves HEPA filtru pie filtra pārsega (C att.).
4. Uzmanīgi ievietojiet filtra pārsegu un cilindrisko filtru atpakaļ filtra nodalījumā un uz vītnes pagrieziet grozāmpogu pulksteņa rādītāju kustības virzienā, līdz grozāmpoga un filtra pārsegs ir nostiprināti cieši (D att.).
5. Pievienojiet gaisa attīrītāju elektroapgādei un ieslēdziet to, un turiet pogu Reset (Atiestatīt) nospiestu, līdz sarkanais HEPA indikators nodziest.

Piezīme. Cilindriskajam HEPA filtram (skatiet 216. lpp.) ir 3 slāņi: mazgājams priekšfiltrs, aktīvās ogles filtrs un HEPA.



D att.

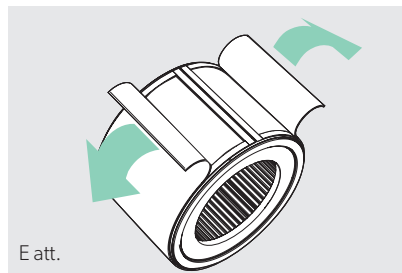
AKTĪVĀS OGLES FILTRA NOMAIŅA

1. Ogles filtra indikators deg sarkanā krāsā, ja nepieciešams nomainīt ogles slāni.
2. Uzmanīgi noņemiet priekšfiltru no stiprinājuma joslām (E att.).
3. Uzmanīgi noņemiet izlietoto ogles slāni no stiprinājuma joslām (F att.).
4. Uztiniet jaunu ogles slāni ap cilindrisko filtru un piestipriniet pie tām pašām stiprinājuma joslām (G att.).
5. Uztiniet priekšfiltru ap ogles slāni un piestipriniet pie stiprinājuma joslām (H att.).
6. Kad gaisa attīrītājs ir ieslēgts, turiet pogu Reset (Atiestatīt) nospiestu, līdz sarkanais ogles filtra indikators nodziest.

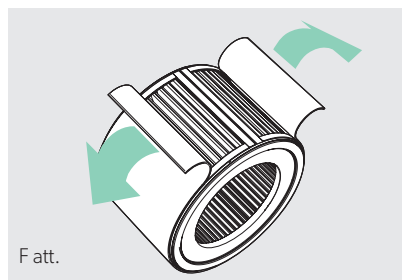
Piezīme: aktīvās ogles filtra 3 gab. komplekts (skatiet 216. lpp.) pietiek 3 ogles filtra nomaiņas reizēm starp katru cilindriskā HEPA filtra nomaiņu (skatiet 217. lpp.).

PRIEKŠFILTRA MAZGĀŠANA

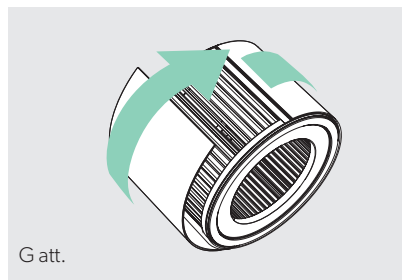
1. Mēs iesakām priekšfiltru vizuāli pārbaudīt katru mēnesi un, ja nepieciešams, to iztīrīt. Priekšfiltrs ir jāmazgā ar rokām ne retāk kā katrā aktīvās ogles filtra nomaiņas reizē.
2. Uzmanīgi noņemiet mazgājamo priekšfiltru no stiprinājuma joslām (E att.).
3. Uzmanīgi skalojiet tekošā ūdenī – ļaujiet priekšfiltram izžūt, pirms to uzstādāt vēlreiz.
4. Uztiniet priekšfiltru ap cilindrisko filtru un piestipriniet pie stiprinājuma joslām (H att.).



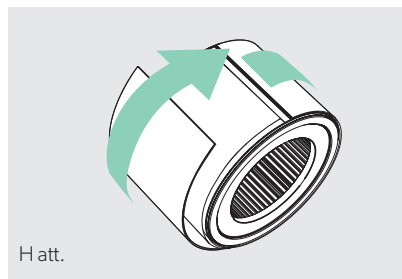
E att.



F att.





G att.

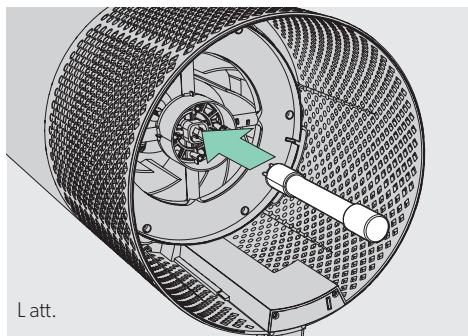
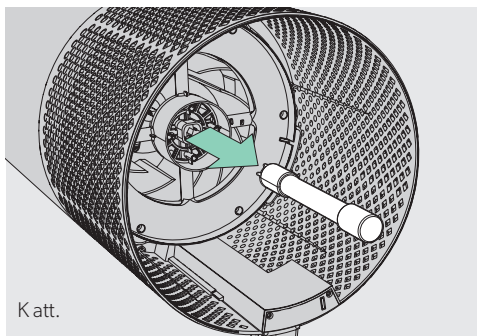
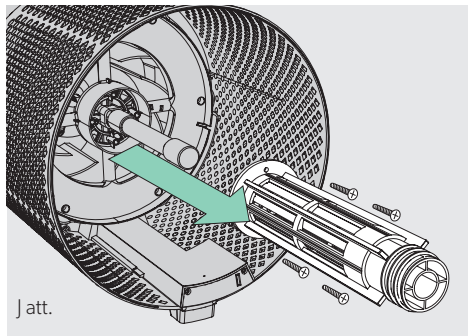
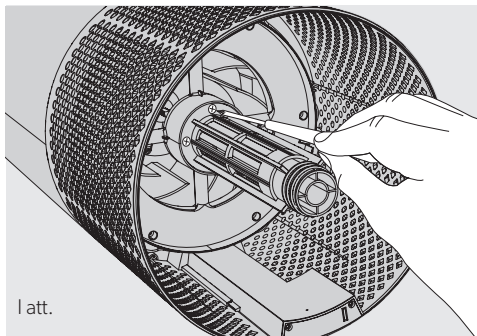


H att.

UV-C LAMPAS NOMAĪŅA

1. Indikators  deg sarkanā krāsā, ja nepieciešams nomainīt UV-C lampu.
2. Izņemiet cilindrisko HEPA filtru (A att.) un izmantojiet skrūvgriezi, lai atskrūvētu 4 skrūves, ar kurām nostiprināts UV korpus (I att.).
3. Uzmanīgi izņemiet UV korpusu (J att.).
4. Atvienojiet UV-C lampu no ligzdas attīrītājā (K att.).
5. Rezerves UV-C lampu (skatiet 216. lpp.) ir jāpievieno tajā pašā ligzdā (L att.).
6. Ievietojiet UV korpusu atpakaļ vietā un ieskrūvējiet stiprinājumu skrūves atpakaļ ar skrūvgriezi.
7. Kad gaisa attīrītājs ir ieslēgts, turiet pogu Reset (Atiestatīt) nospiestu, līdz indikators  iedegas baltā krāsā.

Piezīme. Lūdzu, apsaimniekojiet atvienoto UV-C starotāju vietējā EEIAs savākšanas punktā.

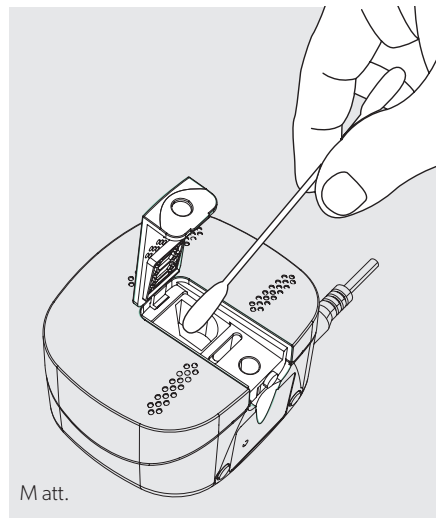


SENSORPOD™ TĪRĪŠANA

Gaisa kvalitātes pārrauga tīrīšana

SensorPod™ izmanto infrasarkano gaismu, lai konstatētu daļiņas, tādēļ ir svarīgi reizi 1–2 mēnešos iztīrīt putekļu sensora nodalījumu, lai likvidētu putekļus vai daļiņas, kas var ietekmēt sensora rādījumu precizitāti.

1. Izslēdziet SensorPod, atvienojot barošanas vadu.
2. Atveriet vieglas piekļuves vāku ierīces priekšpusē, to paceļot uz augšu 90° leņķī.
3. Izmantojiet mitru kokvilnas vati, lai noslaucītu putekļu sensora lēcu un iepļūdes zonu (M att.).
4. Izmantojiet sausu kokvilnas vati, lai notīrītu atlikušo mitrumu.
5. Aizveriet pārsegu, to nolaižot uz leju un iebīdot atpakaļ vietā, līdz izdzirdat klikšķi.



BUJ UN PROBLĒMU NOVĒRŠANA

<p>Kur novietot SensorPod™?</p>	<p>Jebkurā vietā, kur telpā vēlaties izmērit gaisa kvalitāti! Lai iegūtu optimālus rezultātus, novietojiet SensorPod™ līdz pat 15 metru attālumā no gaisa attīrītāja uz darba virsmas vai galda gaisa attīrītāja uztveršanas zonā. Automātiskas darbības režīmā gaisa attīrītājs turpinās izplatīt tīru gaisu, līdz SensorPod™ konstatē pieņemamu gaisa kvalitātes līmeni.</p>
<p>Cik bieži jāmaina filtri?</p>	<p>Pavisam vienkārši! Attīrītāja nomaiņas indikatori informē, ja pienācis laiks, kad jānomaina ogles vai HEPA filtrs, vai UV-C lampa. Iepilnāojiet aktīvās ogles filtra nomaiņu reizi 3–4 mēnešos, HEPA filtra nomaiņu reizi 12–15 mēnešos un UV-C lampas nomaiņu reizi 1–3 gados.</p>
<p>Cik bieži ir jāmazgā priekšfiltrs?</p>	<p>Priekšfiltrs uztver lielāka izmēra daļiņas un uztur citu filtru efektivitāti, tādēļ iesakām priekšfiltru vizuāli pārbaudīt katru mēnesi un, ja nepieciešams, to izmazgāt. Cits labs ieradums ir izmazgāt priekšfiltru katru reizi, kad maināt ogles filtru.</p>
<p>Cik bieži jātīra SensorPod putekļu sensors?</p>	<p>Lai iegūtu precīzākos gaisa kvalitātes mērījumus, mēs iesakām notīrīt putekļu sensora virsmu ik pēc 1–2 mēnešiem.</p>
<p>Gaisa attīrītāju nevar ieslēgt.</p>	<p>Pārbaudiet, vai barošanas vads ir kārtīgi pievienots gan sienas ligzdā, gan attīrītājā. Pārbaudiet, vai ligzdā nav barošanas traucējumu, mēģinot tajā pievienot lampu vai citu ierīci.</p> <p>Pārbaudiet, vai HEPA filtrs filtra nodalījumā ir uzstādīts pareizi.</p> <p>Ja problēmu neizdodas novērst, lūdzu, sazinieties ar mums (223. lpp.)!</p>

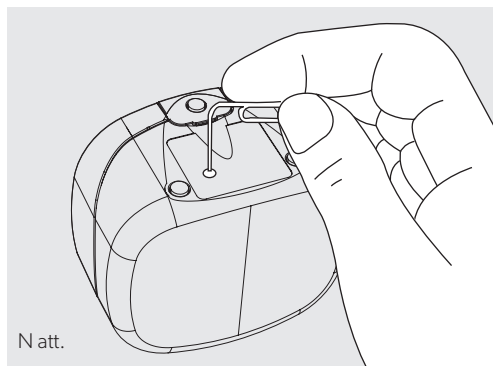
BUJ UN PROBLĒMU NOVĒRŠANA

<p>Attīrītājam nevar ieslēgt automātiskas darbības režīmu.</p> <p>vai</p> <p>Gaisa kvalitātes indikatori neiedegas.</p> <p>vai</p> <p>Attīrītāja sensora signāla indikators mirgo.</p>	<p>Vispirms pārbaudiet, vai SensorPod ir pievienots barošanai un ka tā indikatori deg pareizi.</p> <p>Pēc tam pārbaudiet, vai SensorPod atrodas attīrītāja uztveršanas zonā (līdz 15 m).</p> <p>Ja abu pārbaūžu rezultāti ir atbilstoši un savienojumu joprojām neizdodas izveidot, skatiet tālāk sniegtos norādījumus par SensorPod savienojuma izveidi.</p>
<p>Esmu pazaudējis SensorPod!</p>	<p>Neuztraucieties! Lūdzu, sazinieties ar mūsu atbalsta dienestu, lai pasūtītu rezerves SensorPod. Izpildiet tālāk sniegtos vienkāršos norādījumus savienošanai pāri ar rezerves SensorPod ar savu esošo gaisa attīrītāju!</p>

SensorPod™ un attīrītāja savienošana pāri SensorPod sazinās ar attīrītāju, izmantojot radio frekvences signālus, un tas tiks savienots pāri izstrādes procesā un būs gatavs lietošanai, tiklīdz izņemsiet to no iepakojuma. Gadījumā, ja signāls tiek pārtraukts, attīrītāja sensora signāla indikators (g) mirgo. Savienojumu var atjaunot, veicot dažas vienkāršas darbības.

1. Atvienojiet SensorPod no barošanas.
2. Turiet attīrītāja barošanas pogu 3 sekundes, līdz izdzirdat divus skaņas signālus.
3. Pievienojiet SensorPod barošanai un, izmantojot priekšmetu ar tievu galu (papīra saspurdi), nospiediet pāri savienošanas pogu SensorPod apakšā un turiet to 5–7 sekundes (N att.).

4. Savienojums tiek izveidots, kad attīrītāja sensora signāla indikators ir pastāvīgi iedegts un nemirgo un iedegas gaisa kvalitātes indikatori.



GARANTIJA

Normālos lietošanas apstākļos šīs iekārtas darbība ir garantēta divus gadus no iegādes datuma. Garantijas periodā „ACCO” pēc saviem ieskatiem bez maksas veiks bojātās iekārtas remontu vai nomainītu. Garantijā nav ietverti defekti, kas radušies neatbilstošas lietošanas vai lietošanas neparedzētiem mērķiem dēļ. Jums būs jāuzrāda pirkuma apliecinājums, kurā norādīts iegādes datums. Ja remontdarbus vai pārveidojumus veiks „ACCO” nepilnvarotas personas, garantija vairs nebūs derīga. Mūsu mērķis ir nodrošināt, lai mūsu produkti darbotos saskaņā ar norādītajām specifikācijām. Šī garantija neietekmē juridiskās tiesības, kuras patērētājiem ir saskaņā ar piemērojamiem preču pārdošanu reglamentējošiem valsts tiesību aktiem.

ATBALSTS

Pateicamies, ka pieņēmat TruSens™ savā mājoklī. Mūsu darbību centrā ir mūsu klienti, un mēs ticamies izstrādāt produktus, kas atbilst jūsu dzīvesveidam. Ja jums ir kādi jautājumi vai atsauksmes, lūdzu, sazinieties ar mums!

Apmeklējiet mūsu tīmekļa vietni: www.leitz.com/trusens

Rakstiet uz e-pastu: baltic@acco.com

Zvaniet pa tālruni: + 46 (0)8 705 15 62 or + 358 9 7510 4200

Lai reģistrētos un aktivizētu garantiju, dodieties uz vietni www.leitz.com/register

TruSens™

Sveikiname galimybe džiaugtis švairiu oru, kurią suteikia „TruSens“.
Dėkojame, kad leidote mums kartu su jumis keliauti gerovės link.

Oras, kuriuo kvėpuojate, turėtų būti švarus, nepriklausomai nuo to, kurioje kambario vietoje esate. „TruSens SensorPod™“, „PureDirect™“ technologija ir filtravimo sistema užtikrina, kad oras būtų švaresnis visoje patalpoje.

SAUGOS INFORMACIJA

PERSKAITYKITE IR SAUGOKITE ŠIUOS NURODYMUS

Prieš keisdami filtras ar UV-C siųstuvą, arba jei prietaiso nenaudojate, iš maitinimo šaltinio ištraukite jo maitinimo laidą kištuką.



ĮSPĖJIMAS.

Kad sumažėtų gaisro ir elektros šoko rizika, šio oro valymo įrenginio nenaudokite su puslaidininkiu greičio valdymo prietaisu.

Oro valymo įrenginio **nenaudokite**, jei jo laidas ar kištukas pažeisti arba atsilaisvino sieninis lizdas. Kad nekiltų pavojus, pažeistą maitinimo laidą turi pakeisti gamintojas, jį atstovaujantis tarpininkas ar kitas tinkamai kvalifikuotas asmuo.

Laido **nekiškite** po kilimais, kilimėliais, takeliais ar panašia danga. Laido netieskite po baldais ar prietaisais. Laidą nuveskite toliau nuo vaikščiojimo vietų, kad už jo neužkliūtumėte.



ĮSPĖJIMAS. Žiūrint tiesiai į šiame aparate esančio UV-C siųstuvo sklaidžiamą šviesą gali kilti odos arba akių pažeidimo pavojus. Prietaisą netinkamai naudojant arba pažeidus korpusą, gali pasklisti pavojinga UV-C spinduliuotė. Net ir nedidelė UV-C spinduliuotė gali pažeisti akis ir odą. Prieš keisdami lemputę ar atlikdami priežiūros darbus būtinai išjunkite maitinimą. UV-C siųstuvą keiskite „ACCO Brands“ pagaminta 2415108 (skirta Z-2000) arba 2415111 (skirta Z-3000) dalimi.

- Prieš naudodami nuimkite visas pakavimo medžiagas, įskaitant filtrą dengiantį maišą.
- Akivaizdžiai pažeistų prietaisų naudoti negalima.
- Šį prietaisą galima jungti tik į sieninį maitinimo laidą kištuko tipą ir duomenis duomenų plokštelėje atitinkantį sieninį lizdą.
- Oro valymo įrenginį statykite netoli sieninio lizdo ir nenaudokite jokių ilginamųjų laidų.
- Šį prietaisą gali naudoti vaikai nuo 8 metų ir silpnesnių fizinių, jutiminių ar psichinių gebėjimų arba patirties ir žinių neturintys asmenys, jei jie yra prižiūrimi ar išmokomi saugiai naudotis prietaisu bei suvokia galimus pavojus.
- Vaikams negalima su prietaisu žaisti, jį valyti ar atlikti jo priežiūrą.
- UV-C siųstuvą keiskite šiame vadove nurodytu modeliu.
- Nemėginkite patys šio gaminio taisyti ar remontuoti.
- Valymo įrenginį ir „SensorPod™“ naudokite tik su pridedamu maitinimo laidu.
- Šį prietaisą valykite tik su drėgna šluoste. Nenaudokite tirpiklių ar baliklių.
- Prieš naudodami įsitikinkite, kad prietaisas yra pastatytas ant virto ir lygaus pagrindo.
- Neblokuokite ir neuždenkite oro įleidimo ar išleidimo angų.
- Į oro įleidimo ir išleidimo angas nekiškite pirštų ar kitų daiktų.
- Oro valymo įrenginiui veikiant budėjimo režimu, „SensorPod™“ vis tiek siunčia signalą / duomenis.

Veikimo dažnis

Belaidis: 2462 MHz

Didžiausia persiuntimo galia (EIRP)

Belaidis: 0 dBm

Antenos galia

Belaidis 2 Dbi

Šiuo dokumentu „ACCO UK Ltd“ patvirtina, kad radijo dažnio įrangos tipo Z-2000 ir Z-3000 modelių „TruSens“ oro valymo įrenginiai atitinka Direktyvos 2014/53/ES reikalavimus.

Visą ES atitikties deklaracijos tekstą galima rasti tinklalapyje <https://declarations.accobrands.com/>

Siekiant laikytis RD poveikio reikalavimų, tarp naudotojo kūno ir prietaiso turi būti bent 0,2 m atstumas.

Elektros ir elektroninės įrangos (EEĮ) atliekos

Pasibaigus produkto naudingo eksploatacijos laikui, jis laikomas EEĮ atliekomis. Todėl svarbu pažymėti, kad EEĮ atliekos negali būti šalinamos kaip nerūšiuotos komunalinės atliekos. Jos turi būti renkamos atskirai taip, kad jas būtų galima išardyti, kad jų sudedamosios dalys ir medžiagos galėtų būti perdirbamos ir pakartotinai panaudotos (kaip kuras, skirtas energijai išgauti, gaminant elektros energiją).

Savivaldybės įsteigė viešuosius surinkimo punktus, skirtus nemokamai EEĮ atliekoms pristatyti.

Atiduokite EEĮ atliekas į surinkimo punktą, esantį arčiausiai savo namų ar biuro.

Jei nerandate surinkimo punkto, pardavėjas, kuris jums pardavė gaminį, turėtų priimti jūsų EEĮ atliekas.

Jei nebepalaikote ryšio su pardavėju, susisiekiote su ACCO dėl pagalbos šiuo klausimu.

Perdirbant EEĮ atliekas siekiama apsaugoti aplinką, žmonių sveikatą, išsaugoti žaliavas, gerinti tvarią plėtrą ir užtikrinti geresnį prekių tiekimą Europos Sąjungoje. Tai bus pasiekta išgaunant vertingas antrines žaliavas ir mažinant atliekų kiekius. Galite prisidėti prie šių tikslų pristatydami savo EEĮ atliekas į surinkimo centrą.

Jūsų produktas yra paženklintas EEĮ atliekų simboliu (perbraukta ratukinė šiukšliadėžė). Šis simbolis skirtas informuoti jus, kad EEĮ atliekos negali būti šalinamos kaip nerūšiuotos komunalinės atliekos.

„Leitz TruSens“ oro valytuvai taip pat yra su UV-C spinduoliu. Pakeitus šią prekę (gaminio gyvavimo metu), jas taip pat reikia grąžinti ir išmesti vietinėje EEĮ atliekų surinkimo įmonėje.

Daugiau informacijos ir UV-C spinduolio montavimo vadovus / vaizdo įrašus galite rasti www.leitz.com

PAGRINDINĖS SAVYBĖS



„SensorPod™“

Nuotolinis oro kokybės tikrintuvas, kuris užtikrina, kad oras būtų švaresnis būtent ten, kur reikia.



„PureDirect™“ technologija

Nepriklausomoje laboratorijoje atlikti tyrimai patvirtina, kad dvi oro srovės yra geriau nei viena, nes tuomet oras patalpoje juda efektyviau ir patogiau.



Informuoja ir prisitaiko

Spalvotas šviečiantis žiedas suteikia papildomos informacijos tikruoju laiku rodydamas oro kokybę.



360° valymas

HEPA filtras sulaiko iš visų pusių sklindančius teršalus ir lakiųjų organinių junginių dujas bei kvapus. UV-C šviesa sunaikina į filtrą patenkančius mikrobus ir bakterijas.



Apgalvotas įgyvendinimas

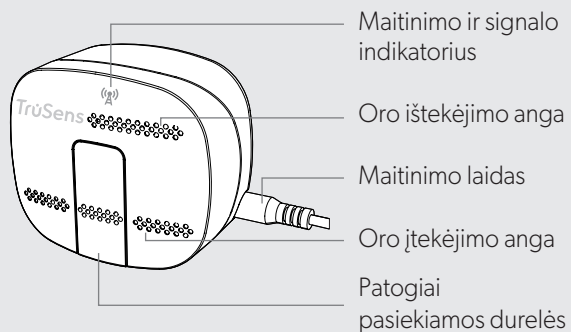
Išskirtinis funkcionalumas ir šiuolaikiškas dizainas, tinkantis bet kokiai aplinkai.

PRODUKTO APŽVALGA

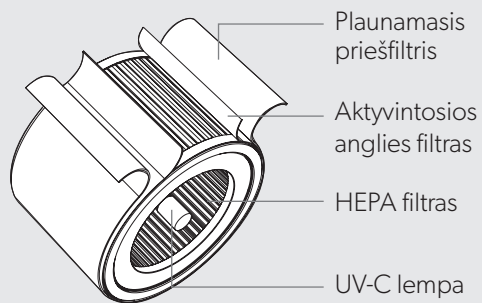
Oro valytuvas



„SensorPod™“



Filtrai ir UV-C lempa

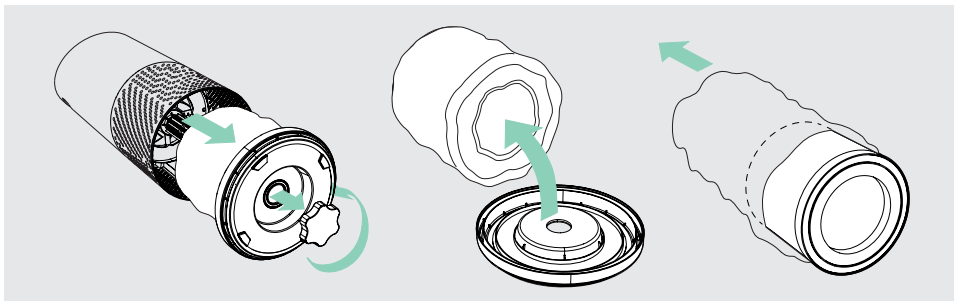


PRADŽIA



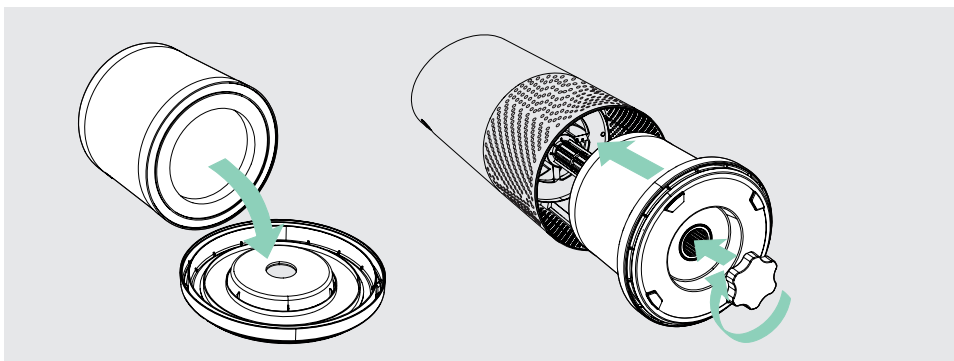
1. Plastikinio maišelio nuėmimas nuo filtro

Atsukite apatinį dangtį ir nuimkite nuo filtro plastikinį maišelį.



2. Filto pritvirtinimas iš naujo

Filtrą pritvirtinkite prie apatinio dangčio ir įdėkite atgal į oro valytuvą.



3. Sąranka

Ijunkite „SensorPod“.

„SensorPod“ pastatykite ant stalviršio ar darbinio paviršiaus kitoje patalpos pusėje priešais oro valytuvą.

Ijunkite oro valytuvą į elektros lizdą ir įjunkite maitinimą.

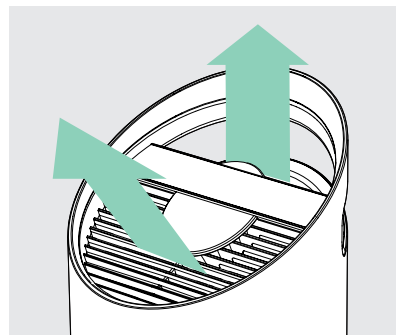
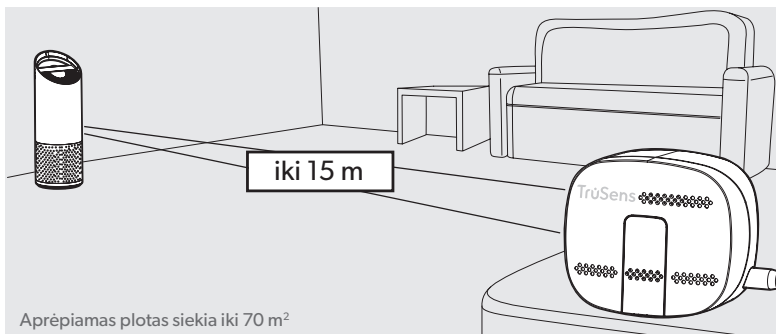
Oro valytuvą pastatykite ant lygaus paviršiaus, toliau nuo kliūčių:

- kur oras į oro valytuvą galėtų laisvai tekėti iš visų pusių;
- toliau nuo minkštų daiktų, pavyzdžiui, užuolaidų, patalynės ir šilumos ar drėgmės šaltinių.

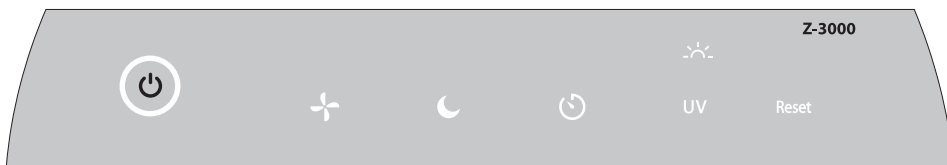
Signalo stiprumas priklauso nuo vietos. Jei neveiktų, nors tai pasitaiko retai, žr. 239 psl.

4. Pradėkite gyvenimą švaresniame ore!

Priklausomai nuo „SensorPod“ siunčiamų duomenų apie oro kokybę, oro valytuvai automatiškai sureguliuos ventiliatoriaus greitį, o unikali „PureDirect™“ technologija užtikrins, kad oras būtų išvalomas visoje patalpoje!



VALDYMO SKYDELIS



Maitinimo mygtukas



Ventiliatoriaus greičio nuostatos

Pasirinkite ventiliatoriaus greitį arba automatinį režimą (AUTO). Įjungus automatinį režimą, oro valytuvas ventiliatoriaus greitį sureguliuoja pagal „SensorPod“ siunčiamus duomenis apie oro kokybę.

(Automatinis režimas veikia tik tuo atveju, kai oro valytuvas yra susietas su „SensorPod“ ir gauna signalą.)



Nakties režimas

Ekraną apšvietimas jums miegant išsijungia, tačiau oro valytuvo efektyvumas dėl to nenukenčia. Kad visos ekrano funkcijos vėl veiktų, tiesiog dar kartą paspauskite mygtuką.



Laikmačio režimas

Po 2, 4, 8 arba 12 valandų oro valytuvas automatiškai išsijungs. Norėdami šią funkciją išjungti, tiesiog spauskite mygtuką tol, kol nebebus rodoma laikmačio nuostata.



UV režimas

Oro valytuvo kameros UV-C lempa veikia, kai ☀️ simbolis yra baltos spalvos. Atėjus laikui keisti UV-C lempą, ☀️ simbolis ims šviesti raudonai.

(Nurodymų ieškokite 236 psl.)



Filtro ir UV indikatorius nustatymas iš naujo

Atėjus laikui keisti filtrus ar lempą, atitinkami indikatoriai „HEPA“, „Carbon“ ir „UV“ ima šviesti raudonai. Įsijungus 1 indikatorius, tiesiog 3 sek. palaikykite nuspaudę „Reset“ mygtuką, kad tas indikatorius būtų nustatytas iš naujo.

Įsijungus 2 ir daugiau indikatorių, bakstelėkite „Reset“ mygtuką ir pasirinkite atitinkamą indikatorius (pasirinktas indikatorius ima mirksėti), o tada jį 3 sek. palaikykite, kad būtų nustatytas iš naujo.

(Keitimo nurodymus rasite 234–236 psl. Pakeitę filtrą laikykite pirmiau pateiktą indikatorius nustatymo iš naujo nurodymų.)

ORO KOKYBĖS DUOMENŲ EKTRANAS

Informacijos teikimas tikruoju laiku

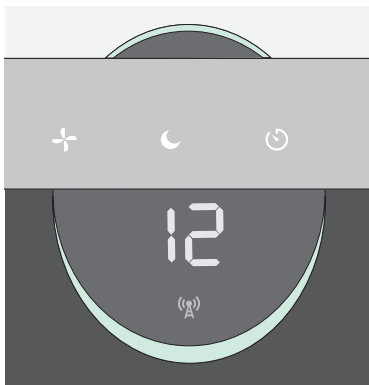
Išmatavęs tiek mažas (PM 2,5), tiek dides (PM 10) kietąsias daleles, revoliucinis „SensorPod™“ įvertina jūsų oro kokybę. Pagal unikalų algoritmą, kuris reaguoja į tikrąjį teršalų kiekio padidėjimą, o ne į ką nors įėjusį į patalpą ar atsisėdusį ant sofos, jis apskaičiuoja bendrą oro kokybę.

Šviečiantis spalvotas ekranas nurodo, ar oro kokybė yra gera, vidutinė, ar prasta, ir pateikia skaitinę vertę, suteikiančią daugiau informacijos.

Jei įjungtas automatinis režimas, oro valytuvas ventiliatoriaus greitį sureguliuoja pagal šiuos oro kokybės rodmenis.

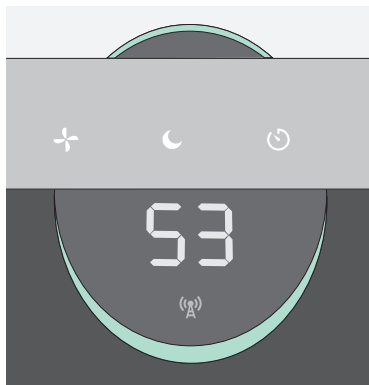
GERA

MĖLYNA | 0 - 50



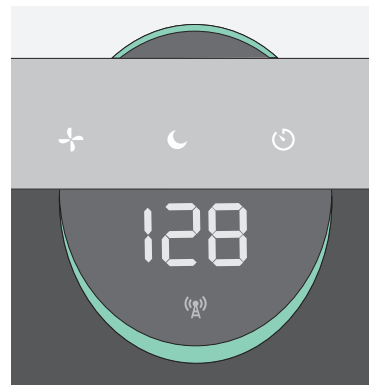
VIDUTINĖ

GELTONA | 50 - 100



PRASTA

RAUDONA | 100 - 500



SPECIFIKACIJOS

Oro įtekėjimas	360°
Oras keičiasi 2 kartus per valandą	70 m ²
Oro tiekimo tipas	„PureDirect™“
Jutiklis	„SensorPod™“, veikia iki 15 m nuo oro valytuvo
Ventiliatoriaus greičio nuostatos	„Whisper“, 1, 2, 3, „Turbo“
Valymo lygiai	plaunamasis priešfiltras, aktyvintosios anglies filtras, HEPA filtras, UV-C lempa
Laikmačio nuostatos	2, 4, 8, 12 val.
Filtro keitimo indikatoriai	„Carbon“, HEPA, UV
Triukšmo lygis	32–66 dB
Matmenys	263 x 263 x 726 mm
Svoris	5,7 kg
Variklio tipas	NS variklis
Galios reikalavimai	220–240 V, 50 Hz / 60 Hz, 0,5 A
Elektros vartojimas	68 W
Garantija	2 metai

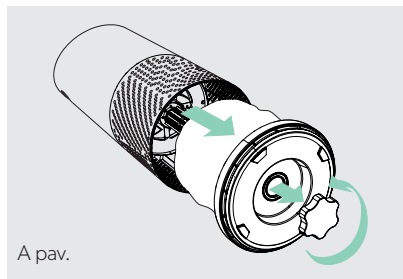
Keičiamieji filtrai ir UV-C lempa

„Trys viename“ HEPA būgno filtras	2415110
Aktyvintosios anglies filtras (3 vnt. pakuotė)	2415109
UV-C lempa	2415111

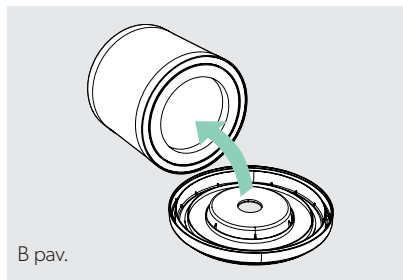
PRIEŽIŪRA IR REMONTAS

Kaip pasiekti filtro kamerą

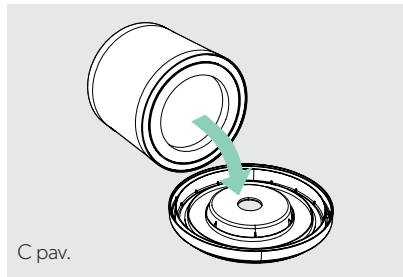
1. Oro valytuvą visada išjunkite paspausdami maitinimo mygtuką ir ištraukdami iš lizdo maitinimo laidą.
2. Įrenginį atsargiai paguldykite ant šono ant grindų, kad būtų matyti filtro kameros dangtelis ir rankenėlė.
3. Rankenėlę pasukite prieš laikrodžio rodyklę ir nuimkite filtro kameros dangtelį, išimkite 360° HEPA būgno filtrą (A pav.).



A pav.



B pav.

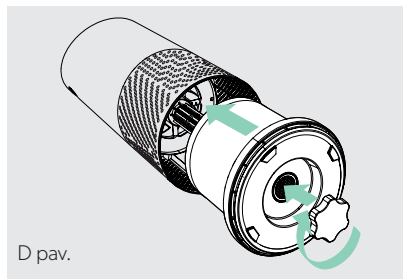


C pav.

HEPA FILTRO KEITIMAS

1. Atėjus laikui keisti visą HEPA būgno filtrą, užsidegs raudonos spalvos HEPA indikatorius.
2. HEPA būgno filtrą atsargiai ištraukite iš jam skirtos vietos, kurs jis pritvirtintas prie filtro dangtelio (B pav.).
3. Pritvirtinkite prie filtro dangtelio naują HEPA filtrą (C pav.).
4. Filtro dangtelį ir būgno filtrą atsargiai įstatykite atgal į filtro kamerą ir ant sriegio. Rankenėlę sukite pagal laikrodžio rodyklę, kol ji ir filtro dangtelis bus tinkamai priveržti (D pav.).
5. Prijunkite prie elektros lizdo ir įjunkite savo oro valytuvą. Palaikykite nuspaudę „Reset“ mygtuką, kol išsijungs raudonos spalvos HEPA indikatorius.

Pastaba. HEPA būgno filtras (žr. 233 puslapyje) yra 3 sluoksnių: plaunamasis priešfiltras, aktyvintosios anglies filtras ir HEPA filtras.



D pav.

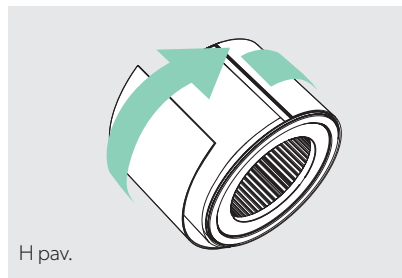
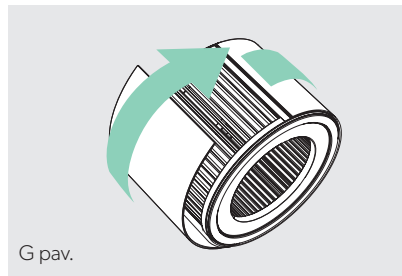
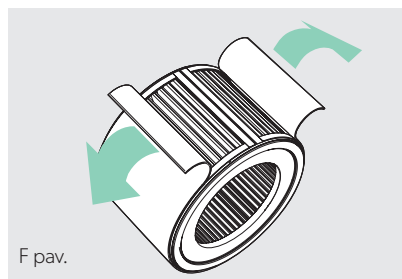
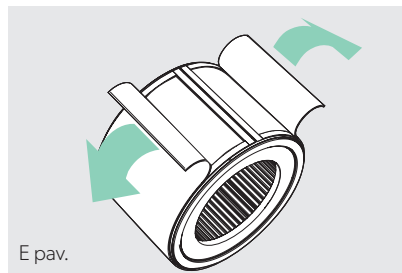
AKTYVINTOSIOS ANGLIES FILTRO KEITIMAS

1. Atėjus laikui keisti anglies sluoksnį, anglies filtro indikatorius ims šviesti raudona spalva.
2. Priešfiltrį atsargiai nulupkite nuo tvirtinimo juostelių (E pav.).
3. Nuo tvirtinimo juostelių atsargiai nulupkite panaudotą anglies sluoksnį (F pav.).
4. Aplink filtro būgną apvyniokite naują anglies sluoksnį ir pritvirtinkite tas pačias tvirtinimo juosteles (G pav.).
5. Priešfiltrį apvyniokite aplink anglies sluoksnį ir pritvirtinkite prie tvirtinimo juostelių (H pav.).
6. Įjungę oro valytuvą, palaikykite nuspaudę „Reset“ mygtuką, kol išsijungs raudonas anglies filtro indikatorius.

Pastaba. Aktyvintosios anglies filtro 3 vnt. pakuotės (žr. 233 psl.) užteks 3 anglies filtro keitimams, kuriuos reikia atlikti kaskart keičiant HEPA būgno filtrą (žr. 234 psl.).

PRIEŠFILTRIO PLOVIMAS

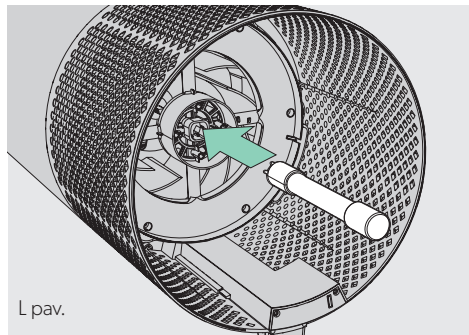
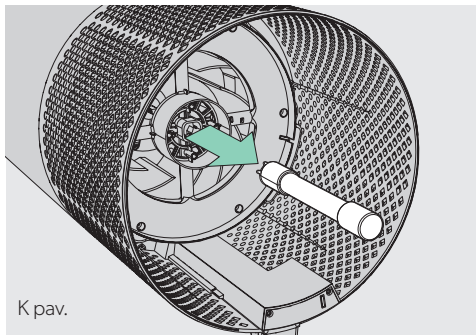
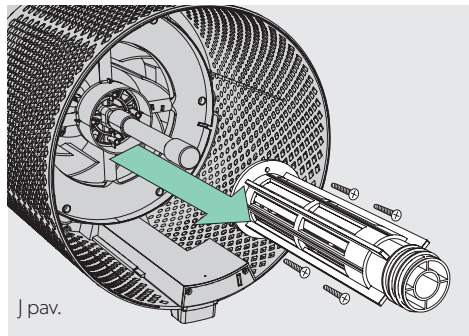
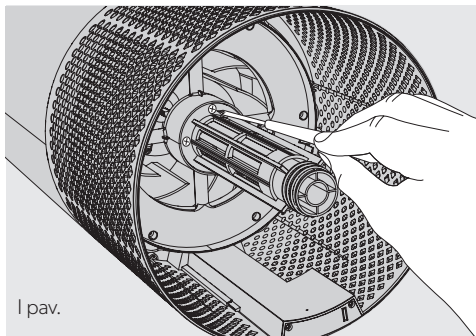
1. Priešfiltrį rekomenduojame kiekvieną mėnesį apžiūrėti ir, jei reikia, išvalyti. Priešfiltrį reikėtų išplauti bent jau kaskart keičiant aktyvintosios anglies filtrą.
2. Plaunamąjį priešfiltrį atsargiai nulupkite nuo tvirtinimo juostelių (E pav.).
3. Atsargiai išskalaukite tekančiu vandeniu ir prieš vėl montuodami leiskite natūraliai išdžiūti.
4. Priešfiltrį apvyniokite aplink filtro būgną ir pritvirtinkite prie tvirtinimo juostelių (H pav.).



UV-C LEMPOS KEITIMAS

1. Atėjus laikui keisti UV-C lempą, ☀️ indikatorius ims šviesti raudonai.
2. Išimkite HEPA filtro būgną (A pav.) ir atsuktuvu išsukite UV lemputės korpusą laikančius 4 varžtus (I pav.).
3. Atsargiai išimkite UV korpusą (J pav.).
4. Ištraukite UV-C lempą (K pav.) iš lizdo oro valytuve.
5. Naują UV-C lempą (žr. 233 pav.) sukite tiesiai į tą patį lizdą (L pav.).
6. Vėl įdėkite UV lemputės korpusą ir atsuktuvu priveržkite tvirtinimo varžtus.
7. Įjungę oro valytuvą, palaikykite nuspaudę „Reset“ mygtuką, kol ☀️ indikatorius pradės šviesti baltai.

Pastaba. Išsuktą UV-C spinduolį atiduokite įvietinę EEJA surinkimo vietą.

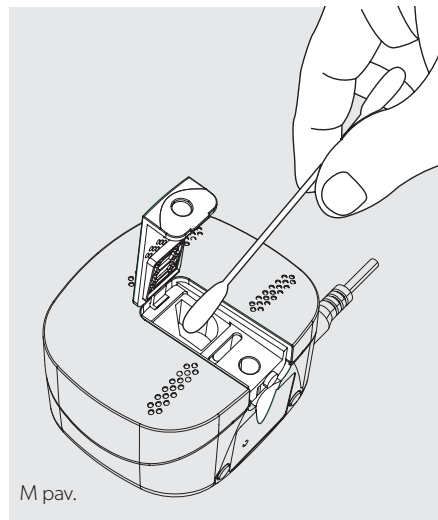


„SENSORPOD™“ VALYMAS

Oro kokybės jutiklio valymas

Kietosioms dalelėms aptikti „SensorPod™“ naudoja infraraudonąją šviesą, todėl labai svarbu kas 1–2 mėn. nuvalyti dulkių jutiklio kamerą ir pašalinti visas dulkes ar daleles, galinčias turėti įtakos jutiklio rodmenų tikslumui.

1. Atjungę nuo tinklo maitinimo laidą, išjunkite „SensorPod“.
2. 90° kampu pakelę priekyje esančias lengvai pasiekiamas dureles, jas atidarykite.
3. Lęšius ir dulkių jutiklio oro įtekėjimo vietą nuvalykite drėgnu vatos pagaliuku (M pav.).
4. Sausu vatos pagaliuku pašalinkite visą likusią drėgmę.
5. Uždarykite dangtelį jį nuleisdami ir paslinkdami atgal į vietą. Turi pasigirsti spragtelėjimas.



DUK IR TRIKČIŲ ŠALINIMAS

<p>Kur statyti „SensorPod™“?</p>	<p>Bet kurioje vietoje, kurioje norite matuoti patalpos oro kokybę! Kad rezultatai būtų optimalūs, „SensorPod™“ statykite ne toliau kaip 15 metrų nuo oro valytuvo. Statykite ant darbinio paviršiaus ar stalviršio, priešais oro valytuvą. Įjungus automatinį režimą, oro valytuvus švarų orą skirstys tol, kol „SensorPod™“ nustatys priimtina oro kokybės lygį.</p>
<p>Kaip dažnai reikia keisti filtrus?</p>	<p>Tai lengva! Oro valytuvo keitimo indikatoriai parodys, kada atėjo laikas keisti anglies arba HEPA filtrą ar UV-C lempą. Aktyviosios anglies filtrą reikėtų keisti kas 3–4 mėn., HEPA filtrą kas 12–15 mėn., o UV-C lempą – kas 1–3 metus.</p>
<p>Kaip dažnai reikia plauti priešfiltrą?</p>	<p>Priešfiltris sulaiko didesnes daleles ir užtikrina kitų filtrų efektyvumą, todėl jį rekomenduojame apžiūrėti kiekvieną mėnesį ir, jei reikia, išplauti. Priešfiltrį būtų naudinga išplauti kiekvieną kartą keičiant anglies filtrą.</p>
<p>Kaip dažnai reikia valyti „SensorPod“ esantį dulkių jutiklį?</p>	<p>Kad oro kokybė būtų matuojama labai tiksliai, dulkių jutiklio paviršių rekomenduojame valyti kas 1–2 mėn.</p>
<p>Oro valytuvus neįsijungia.</p>	<p>Patikrinkite, ar maitinimo laidas tinkamai prijungtas prie sieninio elektros lizdo ir oro valytuvo. Įjungę lempą ar kitą prietaisą patikrinkite, ar lizde teka elektros srovė.</p> <p>Patikrinkite, ar filtro kameroje tinkamai sumontuotas HEPA filtras.</p> <p>Jei problemos pašalinti nepavyksta, susisiekite su mumis! (240 psl.)</p>

DUK IR TRIKČIŲ ŠALINIMAS

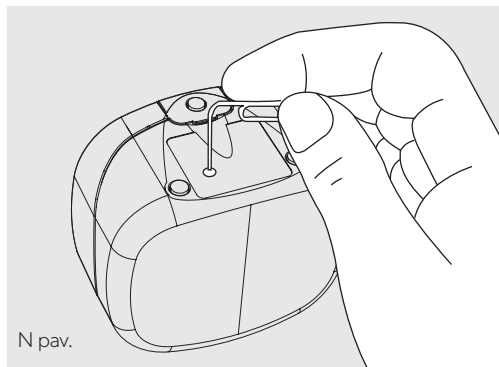
<p>Oro valytuve neįsijungia automatinis režimas</p> <p>arba</p> <p>Neveikia oro kokybės indikatoriai</p> <p>arba</p> <p>Mirksi ant oro valytuvo esantis jutiklio signalo indikatorius</p>	<p>Pirmiausia patikrinkite, ar „SensorPod“ yra įjungtas ir šviečia jo lemputė.</p> <p>Po to patikrinkite, ar „SensorPod“ yra oro valytuvo veikimo zonoje (iki 15 m).</p> <p>Jei abiem atvejais viskas gerai, o jungtis vis tiek neveikia, vadovaukitės toliau pateikiamais nurodymais dėl „SensorPod“ jungties remonto.</p>
<p>Pamečiau savo „SensorPod“!</p>	<p>Nesijaudinkite! Susisiekite su mūsų klientų aptarnavimo komanda ir užsisakykite naują „SensorPod“. Vadovaudamiesi nesudėtingais susiejimo nurodymais, susiekite naują „SensorPod“ su turimu oro valytuvu.</p>

„SensorPod™“ ir oro valytuvo susiejimas

Ryšys tarp „SensorPod“ ir oro valytuvo palaikomas radijo dažnio signalais. Jie susiejami dar gamybos metu ir yra paruošti naudoti vos išėmus iš pakuotės. Tais retais atvejais, kai signalas nutrūksta, ant oro valytuvo esantis jutiklio signalas ima mirksėti (🔦). Ryšį galite atkurti keliais paprastais veiksmais.

1. Atjunkite „SensorPod“ nuo elektros tinklo.
2. 3 sek. palaikykite nuspauštą ant oro valytuvo esantį maitinimo mygtuką. Turėtų pasigirsti du signalai.
3. Prijunkite „SensorPod“ prie elektros tinklo ir smailiu daiktu (švaržėle) paspauskite ir 5–7 sek. palaikykite „SensorPod“ apačioje esantį susiejimo mygtuką (N pav.).

4. Ryšys yra atkurtas, jei dega (o ne mirksi) ant oro valytuvo esantis jutiklio signalo indikatorius ir įsijungia oro kokybės indikatoriai.



GARANTIJA

Šios mašinos veikimas yra garantuojamas dvejus metus nuo įsigijimo datos, esant normaliam naudojimui. Garantijos laikotarpiu „ACCO“ savo nuožiūra nemokamai pataisys arba pakeis sugadintą mašiną. Pažeidimai, atsiradę dėl piktnaudžiavimo ar naudojimo netinkamais tikslais, nepatenka į garantijos aprėptį. Bus reikalaujama nurodyti įsigijimo datą. Jei asmenys, neturintys „ACCO“ leidimo, atliko remontą ar keitimus, garantija bus panaikinta. Mūsų tikslas yra užtikrinti, kad mūsų gaminiai atitiktų nurodytas specifikacijas. Ši garantija neturi įtakos juridinėms teisėms, kurias vartotojai turi pagal nacionalinius teisės aktus, reglamentuojančius prekių pardavimą.

TECHNINĖ PAGALBA

Dėkojame, kad įsileidote į savo namus „TruSens™“. Visoje mūsų veikloje mums svarbiausi – klientai, todėl siekiame, kad mūsų kuriami produktai atitiktų jūsų gyvenimo būdą. Jei turite klausimų ar norite palikti atsiliepimą, susisiekite!

Apsilankykite mūsų interneto svetainėje adresu: www.leitz.com/trusens

Rašykite mums el. Paštu: baltics@acco.com

Skambinkite numeriu: + 46 (0)8 705 15 62 or + 358 9 7510 4200

Norėdami užsiregistruoti ir suaktyvinti garantiją, eikite į www.leitz.com/register

TruSens™

Představujeme vám čističku TruSens. Děkujeme, že vám můžeme pomáhat na cestě k příjemnějšímu životu.

Vzduch, který dýcháte, by měl být čistý neohledě na místo, kde se v místnosti nacházíte. Snímač TruSens SensorPod™, technologie PureDirect™ a 360° filtrace se postarají o čistější ovzduší v celé místnosti.

BEZPEČNÁ INFORMACE

TYTO POKYNY SI PŘEČTĚTE A USCHOVEJTE.

Po ukončení používání a před zahájením výměny filtrů nebo UV-C zářiče odpojte přístroj od zdroje napájení.



VÝSTRAHA: Aby se snížilo nebezpečí požáru nebo zasažení elektrickým proudem, nepoužívejte tuto čističku vzduchu ve spojení s polovodičovým zařízením pro regulaci rychlosti. Čističku vzduchu nepoužívejte, jsou-li její kabel nebo zástrčka poškozeny nebo je-li příslušná elektrická zásuvka uvolněna. Poškozený napájecí kabel musí být z bezpečnostních důvodů vyměněn výrobcem, jeho servisním zastoupením nebo jinými osobami s náležitou kvalifikací.

Kabel nepokládejte pod koberce, rohože, běhouny nebo podobné podlahové krytiny. Kabel nepokládejte pod nábytek nebo elektrické spotřebiče. Kabel uspořádejte v dostatečné vzdálenosti od frekventovaných oblastí i od míst, kde by o něj mohly osoby zakopávat.



VÝSTRAHA: Přímé vystavování účinkům světla vytvářeného UV-C zářičem, který je v tomto přístroji obsažen, nebo přímý pohled do tohoto světla může mít za následek poškození pokožky, resp. očí. Nesprávný způsob používání přístroje nebo poškození jeho krytu může mít za následek unikání nebezpečného UV-C záření. UV-C záření může, a to i v malých dávkách, způsobit poranění očí a pokožky. Před provedením výměny lampy nebo servisních činností vždy vypněte napájení přístroje. Při výměně UV-C zářiče použijte náhradní díly s číslem položky 2415108 (pro typ Z-2000) nebo 2415111 (pro typ Z-3000) vyráběné společností ACCO Brands.

- Před použitím odstraňte všechny obalové materiály, včetně sáčku zakrývajcího filtru.
- Viditelně poškozené přístroje nesmějí být uváděny do provozu.
- Tento přístroj smí být připojován pouze k elektrické síťové zásuvce, která odpovídá typu zástrčky napájecího kabelu přístroje a příkonu uvedenému na typovém štítku.
- Čističku vzduchu umístěte v blízkosti elektrické zásuvky a nepoužívejte prodlužovací kabely.
- Tento přístroj může být používán dětmi ve věku od 8 let a osobami se sníženou tělesnou, smyslovou a duševní způsobilostí nebo s nedostatečnými zkušenostmi a znalostmi pouze za předpokladu, že jsou tyto osoby pod dohledem jiné, způsobilé osoby nebo že obdržely pokyny týkající se bezpečného způsobu používání přístroje a byly obeznámeny s nebezpečími, která jsou s provozem přístroje spojena.
- Děti si s přístrojem nesmějí hrát ani se nesmějí pokoušet provádět jeho čištění nebo údržbu.
- Při výměně UV-C zářiče použijte model, který je specifikován v této příručce.
- Nepokoušejte se sami o údržbu nebo opravu přístroje.
- Čističku a přístroj SensorPod™ používejte pouze s kabelem, který s nimi byl dodán.
- K čištění tohoto přístroje používejte pouze vlhkou tkaninu, nepoužívejte rozpouštědla nebo bělidla.
- Před uvedením do provozu zajistěte, aby přístroj spočíval na pevném a rovném povrchu.
- Neblokujte ani neucpávejte otvory pro přívod a výstup vzduchu.
- Do otvorů pro přívod a výstup vzduchu nekládejte prsty nebo předměty.
- Přístroj SensorPod™ vysílá signál/data i v době, kdy je čistička vzduchu v pohotovostním režimu.

Provozní frekvence

Bezdrátový přenos: 2 462 MHz

Maximální vysílací výkon (EIRP)

Bezdrátový přenos: 0 dBm

Zisk antény

Bezdrátový přenos: 2 dBi

Společnost ACCO UK Ltd tímto prohlašuje, že rádiová zařízení s typovým označením Leitz TruSens Air Purifier Z-2000/Z-3000 jsou ve shodě se směrnici 2014/53/EU.

Celé znění prohlášení o shodě EU je dostupné na následující internetové adrese:
<https://declarations.accobrands.com/>

V souladu s normami upravujícími expozici VF záření musí být mezi tělem uživatele a tímto zařízením udržována minimální oddělovací vzdálenost 0,2 m.

Odpadní elektrická a elektronická zařízení (OEEZ)

Na konci užitečné životnosti bude produkt považován za OEEZ. Je důležité pamatovat, že:

OEEZ se nemají odstraňovat jako netříděný komunální odpad. Mají se sbírat odděleně, aby mohla být demontována a jejich konstrukční části a materiály recyklovány, opakovaně použity a využity (jako palivo pro energetické využití při výrobě elektrické energie).

Veřejná sběrná místa jsou zřízena místními úřady k bezplatnému sběru OEEZ od vás.

Laskavě vraťte OEEZ do sběrného místa blízko vaší domácnosti nebo pracoviště.

V případě problémů s nalezením sběrného místa by měla OEEZ přijmout maloobchodní prodejna, která vám produkt prodala.

Pokud již nejste ve styku s maloobchodní prodejnou, kontaktujte laskavě firmu ACCO za účelem pomoci v této záležitosti.

Cílem recyklace OEEZ je ochrana životního prostředí, ochrana lidského zdraví, ochrana surovin, zlepšování udržitelného rozvoje a lepší zásobování komoditami v Evropské unii. Toho se dosáhne záchranou cenných sekundárních surovin a snížením odstraňování odpadu. K úspěšnosti tohoto cíle můžete přispět návratem OEEZ do sběrného místa.

Váš produkt je označen symbolem OEEZ (pojízdný kontejner na odpad přeškrtnutý křížem). Tento symbol vám sděluje, že OEEZ se nemá odstraňovat jako netříděný komunální odpad.

Čističe vzduchu Leitz TruSens jsou také vybaveny zářičem UV-C. Po výměně této položky (po celou dobu životnosti produktu) musí být tato položka také vrácena a zlikvidována v místním sběrném zařízení WEEE.

Další informace a instalační příručky / videa pro emitore UV-C najdete na www.leitz.com

HLAVNÍ FUNKCE



SensorPod™

Vzdálený snímač kvality vzduchu, který zajišťuje čištění vzduchu tam, kde to potřebujete.



Technologie PureDirect™

Při nezávislých laboratorních testech bylo zjištěno, že dva vzduchové proudy jsou lepší než jeden, protože zajišťují efektivnější a snazší cirkulaci vzduchu v místnosti.



Informuje a přizpůsobuje se

Barevný světelný prstenec vám v reálném čase poskytuje informace o kvalitě vzduchu.



360° čištění

HEPA filtr zachycuje znečištění a těkavé plyny či zápach ze všech směrů. UV-C záření zabíjí mikroby a bakterie, které se zachytí ve filtru.

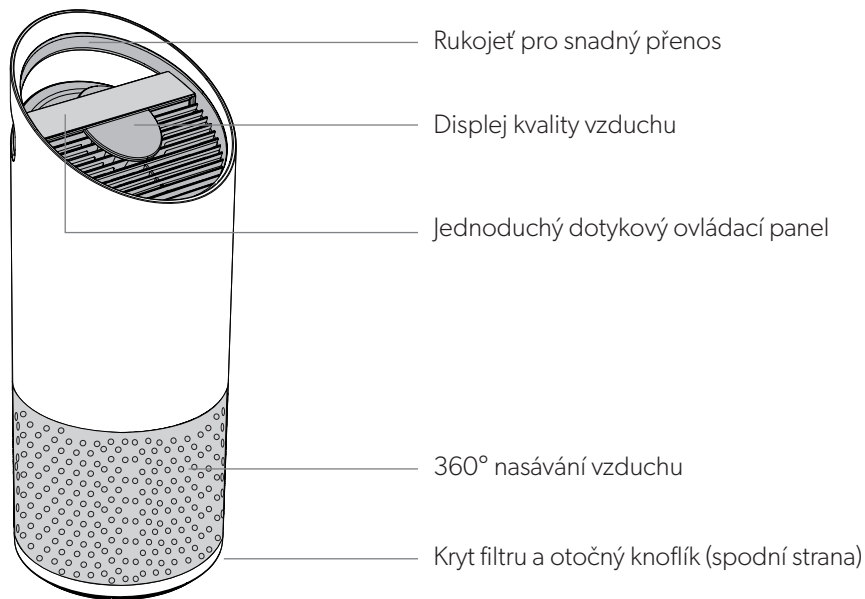


Promyšlená konstrukce

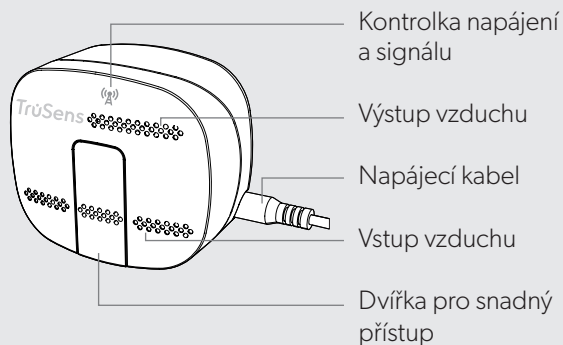
Výjimečné funkce v soudobě vypadající konstrukci, která zapadne do každého prostředí.

PŘEHLED PRODUKTU

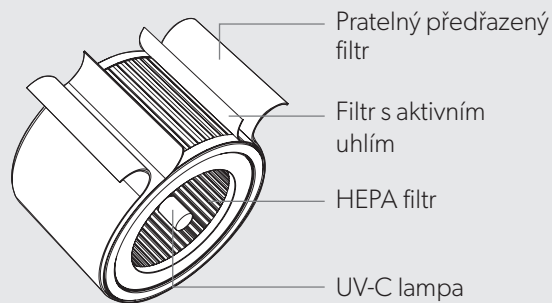
Čistička vzduchu



SensorPod™



Filtr a UV-C lampa

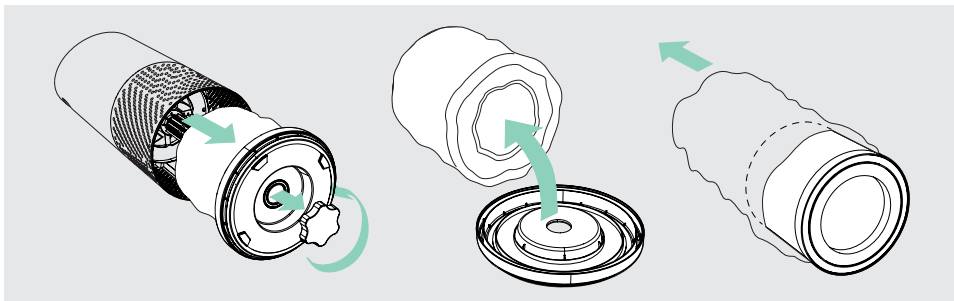


ZAČÍNÁME



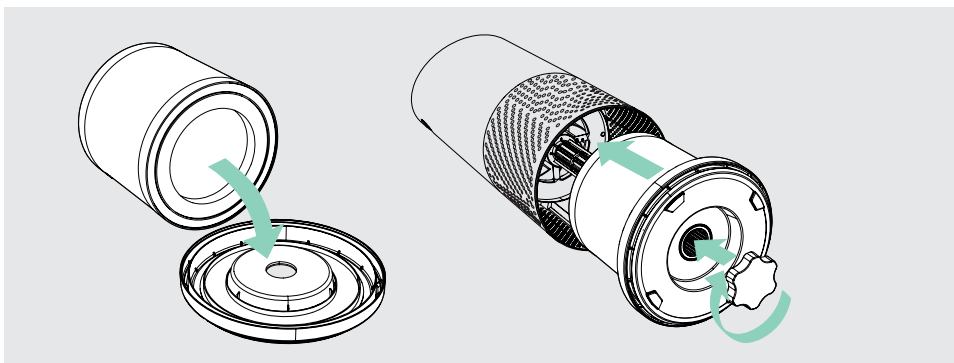
1. Z filtru sejměte plastový obal.

Odšroubujte dolní kryt a odstraňte plastový obal z filtru.



2. Filtr znovu připevněte.

Připevněte filtr k dolnímu krytu a umístěte jej zpět dovnitř čističky.



3. Příprava

Připojte snímač SensorPod k napájení.

Postavte snímač SensorPod na stůl nebo jiný povrch v místnosti tak, aby byl na dohled od čističky.

Připojte čističku ke zdroji napájení a zapněte ji.

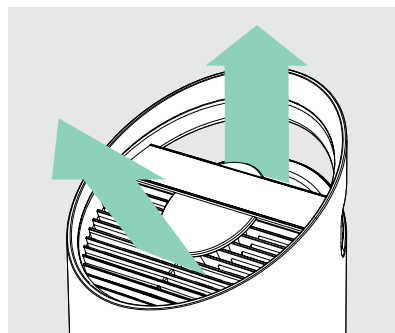
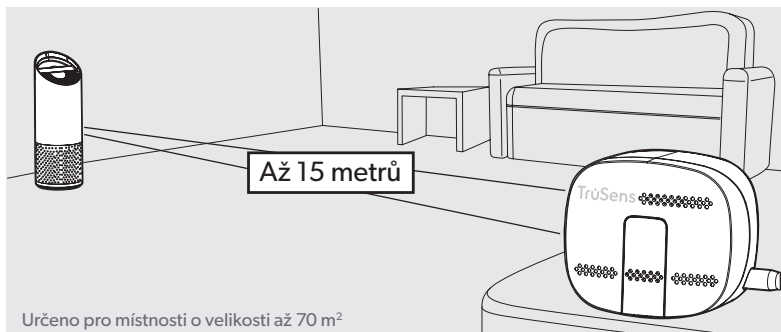
Umístěte čističku na rovný povrch v dostatečné vzdálenosti od překážek:

- na místo, kde může vzduch volně proudit do čističky ze všech stran,
- dále od bytového vybavení, jako jsou lůžkoviny či záclony, a od zdrojů tepla a vlhkosti.

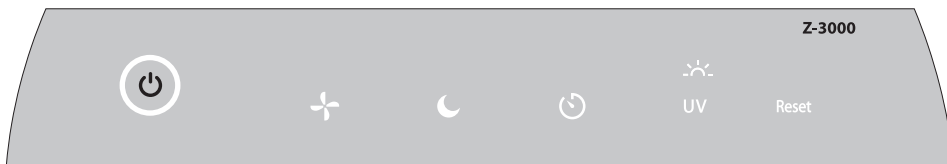
Intenzita signálu se může lišit podle umístění. V ojedinělém případě, kdy by spojení nefungovalo, si přečtěte stranu 256.

4. Začněte dýchat čistější vzduch!

Čistička bude podle kvality vzduchu naměřené snímačem SensorPod automaticky upravovat rychlost ventilátorů a unikátní technologie PureDirect™ bude po místnosti distribuovat vyčištěný vzduch.



OVLÁDACÍ PANEL



Vypínač



Nastavení rychlosti ventilátoru

Vyberte rychlost ventilátoru, nebo režim AUTO. Čistička v režimu AUTO automaticky upravuje rychlost ventilátorů podle kvality vzduchu naměřené snímačem SensorPod.

(Režim AUTO je k dispozici pouze v případě, že je čistička spárována se snímačem SensorPod a přijímá jeho signál.)



Noční režim

Displej zhasne, abyste mohli nerušeně spát, ale na efektivitu čističky to nebude mít vliv.

Opětovným stisknutím tlačítka znovu zobrazíte všechny funkce displeje.




Režim časovače

Čistička se automaticky vypne po 2, 4, 8 nebo 12 hodinách.

Chcete-li odpočet zrušit, stačí tlačítko opakovaně stisknout, dokud se přestane zobrazovat nastavení časovače.



UV režim

UV-C lampy v komoře filtru čističky je rozsvícená, když symbol  svítí bíle.

Když je čas na výměnu UV-C lampy, symbol  svítí červeně.

(Pokyny naleznete na straně 253.)

Reset

Resetování kontrolky filtru a UV žárovky

Když je třeba vyměnit částicový filtr, filtr s aktivním uhlím nebo UV žárovku, příslušná kontrolka („HEPA“, „Carbon“ nebo „UV“) bude svítit červeně. Když svítí 1 kontrolka, podržením tlačítka Reset na 3 sekundy ji resetujte. Když svítí nejméně 2 kontrolky, klepnutím na tlačítko Reset vyberte odpovídající kontrolku (dotyčná kontrolka bude blikat) a pak ji resetujte podržením tlačítka Reset na 3 sekundy.

(Pokyny k výměně najdete na stranách 251–253. Po výměně filtru se řiďte výše uvedenými pokyny k resetování kontrolky.)

DISPLEJ KVALITY VZDUCHU

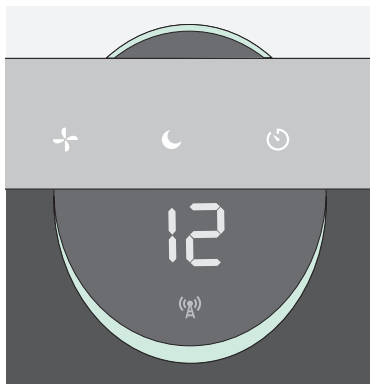
Odezva v reálném čase

Revoluční snímač SensorPod™ vyhodnocuje kvalitu vzduchu pomocí měření množství malých (PM2.5) a větších (PM10) částic. Pomocí unikátního algoritmu počítá celkovou kvalitu vzduchu, která reaguje na reálná zvýšení množství vzdušných nečistot, ale zároveň se příliš nemění, když někdo vejde do místnosti nebo se usadí na pohovce.

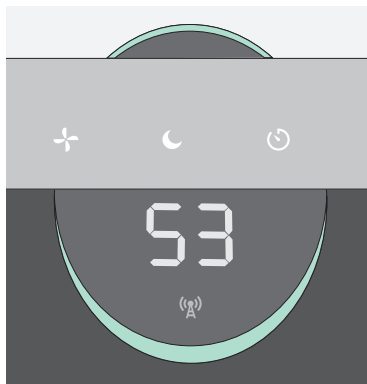
Barevně svítící displej informuje, zda je kvalita vzduchu dobrá, střední, nebo špatná, a zobrazuje odpovídající číselnou hodnotu, která poskytuje detailnější informace.

Čistička v režimu AUTO automaticky upravuje rychlost ventilátorů podle naměřené kvality vzduchu.

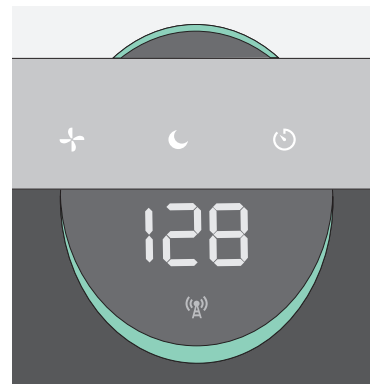
DOBŘÁ
MODRÁ | 0 - 50



STŘEDNÍ
ŽLUTÁ | 50 - 100



ŠPATNÁ
ČERVENÁ | 100 - 500



TECHNICKÉ ÚDAJE

Vstup vzduchu	360°
Vzduch vyměněný 2krát za hodinu	70 m ²
Typ přívodu vzduchu	PureDirect™
Snímač	SensorPod™, funguje až 15 m od čističky
Nastavení rychlosti ventilátoru	velmi tiché (Whisper), 1, 2, 3, turbo
Úroveň čištění	pratelný předřazený filtr, filtr s aktivním uhlím, HEPA filtr, UV-C lampa
Nastavení časovače	2, 4, 8, 12 hodin
Kontrolky výměny	Carbon, HEPA, UV
Hlučnost	32 - 66 dB
Rozměry	263 x 263 x 726 mm
Hmotnost	5,7 kg
Typ motorku	stejnoseměrný
Napájení	220-240v 50/60Hz 0,5A
Příkon	68 W
Záruka	2 roky

Náhradní filtry a UV-C lampa

Bubnový HEPA filtr 3 v 1	2415110
Filtr s aktivním uhlím (3 kusy v balení)	2415109
UV-C lampa	2415111

PÉČE A ÚDRŽBA

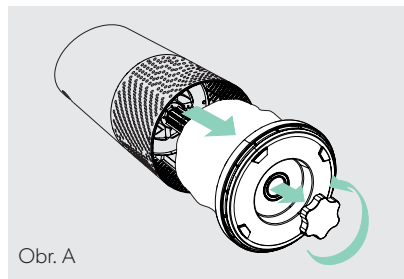
Přístup do komory filtru

1. Čističku vždy vypněte tím, že stisknete vypínač a odpojíte napájecí kabel.
2. Přístroj opatrně položte na bok na podlahu, abyste viděli na kryt komory filtru a otočný knoflík.
3. Otočným knoflíkem otočte proti směru hodinových ručiček a vyjměte kryt komory filtru a 360° bubnový HEPA filtr (obr. A).

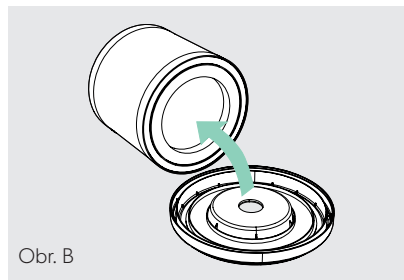
VÝMĚNA HEPA FILTRU

1. Když je čas na výměnu celého bubnového HEPA filtru, kontrolka HEPA filtru svítí červeně.
2. Bubnový HEPA filtr opatrně vyjměte z krytu filtru, na kterém je připevněný (obr. B).
3. Náhradní HEPA filtr připevněte na kryt filtru (obr. C).
4. Kryt filtru a bubnový filtr opatrně vraťte do komory filtru a nasadte je na závit. Poté otáčejte otočným knoflíkem ve směru hodinových ručiček, dokud otočný knoflík a kryt filtru nebudou řádně dotažené (obr. D).
5. Připojte čističku k napájení, zapněte ji a podržte tlačítko Reset, dokud červená kontrolka HEPA filtru nezhasne.

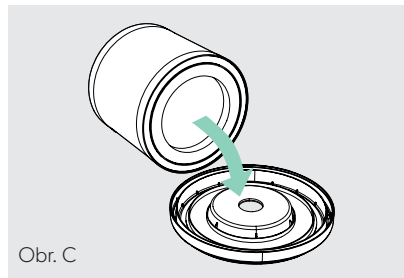
Poznámka: Bubnový HEPA filtr (viz strana 250) bude mít 3 vrstvy: Pratelný předřazený filtr, filtr s aktivním uhlím a HEPA filtr.



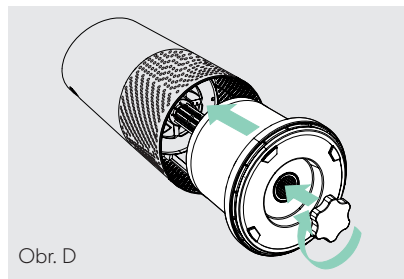
Obr. A



Obr. B



Obr. C



Obr. D

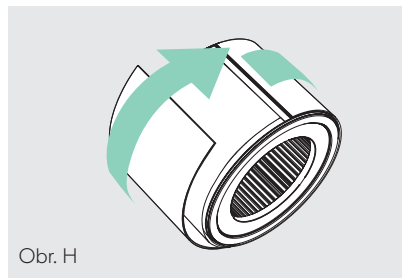
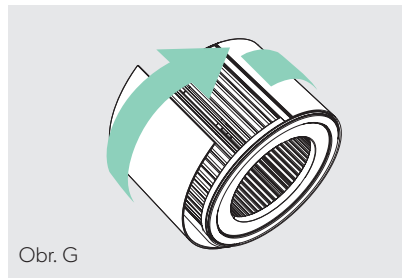
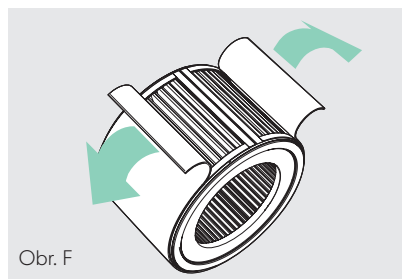
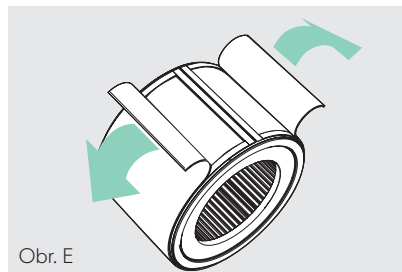
VÝMĚNA FILTRU S AKTIVNÍM UHLÍM

1. Když je čas na výměnu vrstvy aktivního uhlí, kontrolka filtru s aktivním uhlím svítí červeně.
2. Předřazený filtr opatrně odlepte od upevňovacích proužků (obr. E).
3. Použitou vrstvu s aktivním uhlím opatrně odlepte od upevňovacích proužků (obr. F).
4. Kolem bubnového filtru omotejte novou vrstvu s aktivním uhlím a připevněte ji ke stejným upevňovacím proužkům (obr. G).
5. Předřazený filtr omotejte kolem vrstvy aktivního uhlí a připevněte k upevňovacím proužkům (obr. H).
6. Po zapnutí čističky podržte tlačítko Reset, dokud červená kontrolka filtru s aktivním uhlím nezhasne.


Poznámka: Balení 3 filtrů s aktivním uhlím (viz strana 250) stačí na 3 výměny filtru s aktivním uhlím mezi jednotlivými výměnami bubnového HEPA filtru (viz strana 251).

PRANÍ PŘEDŘAZENÉHO FILTRU

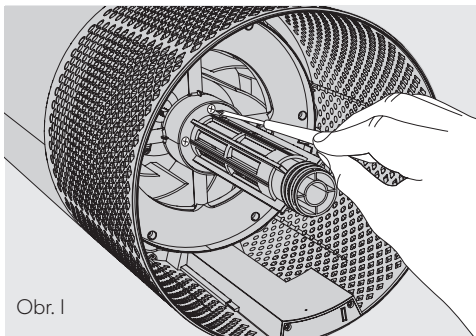
1. Předřazený filtr doporučujeme každý měsíc prohlédnout a podle potřeby vyprat. Je třeba jej prát minimálně při každé výměně filtru s aktivním uhlím.
2. Pratelný předřazený filtr opatrně odlepte od upevňovacích proužků (obr. E).
3. Opatrně jej propláchněte tekoucí vodou a před vrácením na místo jej nechte na vzduchu uschnout.
4. Předřazený filtr omotejte kolem bubnového filtru a připevněte k upevňovacím proužkům (obr. H).



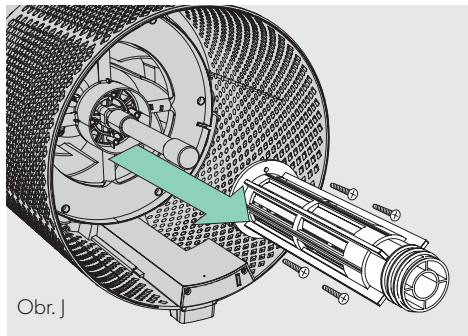
VÝMĚNA UV-C LAMPY

1. Když je čas na výměnu UV-C lampy, kontrolka  svítí červeně.
2. Vyjměte bubnový HEPA filtr (obr. A) a šroubovákem vymontujte 4 šrouby, které připevňují UV kryt (obr. I).
3. UV kryt opatrně odeberte (obr. J).
4. Od zásuvky v čističce odpojte UV-C lampu (obr. K).
5. Přímo od stejné zásuvky (obr. L) zapojte náhradní UV-C lampu (viz strana 250).
6. Vraťte UV kryt na místo a šroubovákem utáhněte jeho šrouby.
7. Po zapnutí čističky podržte tlačítko Reset, dokud kontrolka nezačne svítit bíle.

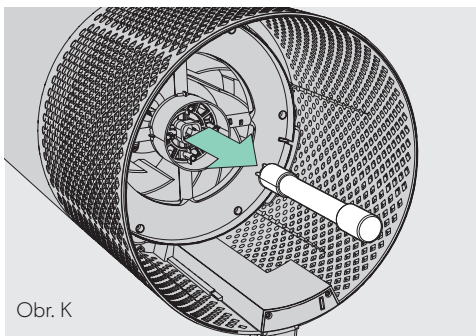
Poznámka: Po výměně emitoru UV-C původní emitor zlikvidujte v místním sběrném zařízení WEEE.



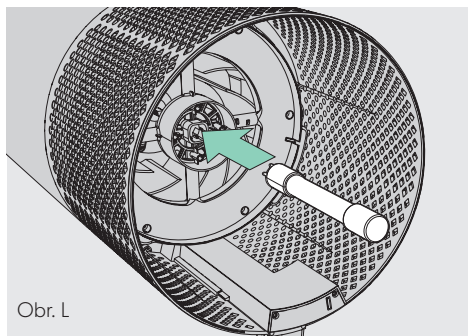
Obr. I



Obr. J



Obr. K



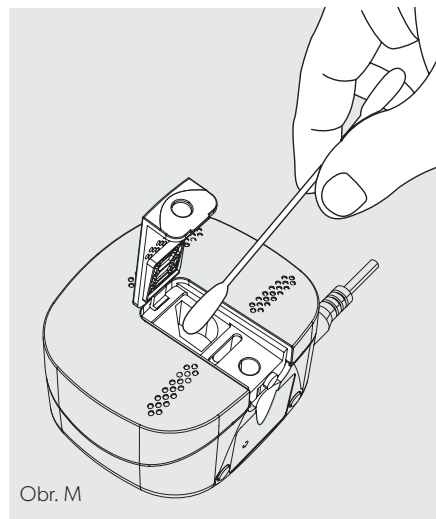
Obr. L

ČIŠTĚNÍ SNÍMAČE SENSORPOD™

Čištění snímače kvality vzduchu

Snímač SensorPod™ pomocí infračerveného světla zjišťuje částice ve vzduchu, a proto je třeba každý 1–2 měsíce čistit komoru prachového snímače a odstraňovat z ní veškerý prach a jiné částice, které by mohly mít vliv na přesnost měření.

1. Snímač SensorPod vypnete tím, že odpojíte napájecí kabel.
2. Zvednutím do 90° otevřete dvířka pro snadný přístup na přední straně.
3. Vlhkým bavlněným tampónem otřete čočku a vstupní oblast prachového snímače (obr. M).
4. Suchým bavlněným tampónem setřete veškerou vlhkost.
5. Dvířka zavřete spuštěním dolů a zasunutím na místo, až se neozve cvaknutí.



ČASTÉ DOTAZY A ŘEŠENÍ PROBLÉMŮ

<p>Kam mám snímač SensorPod™ umístit?</p>	<p>Kamkoli, kde chcete měřit kvalitu vzduchu v místnosti.</p> <p>Snímač SensorPod™ funguje optimálně, když je umístěný nanejvýš 15 metrů a na dohled od čističky, a to na plochém povrchu nebo stole. Čistička v automatickém režimu bude distribuovat čistý vzduch, dokud snímač SensorPod™ nezjistí přijatelnou kvalitu vzduchu.</p>
<p>Jak často je třeba měnit filtry?</p>	<p>Je to snadné. Až bude čas vyměnit filtr s aktivním uhlím, HEPA filtr nebo UV-C lampu, čistička vás upozorní svými kontrolkami.</p> <p>Filtr s aktivním uhlím se mění každé 3–4 měsíce, HEPA filtr každých 12–15 měsíců a UV-C lampa každý 1–3 roky.</p>
<p>Jak často je třeba prát předřazený filtr?</p>	<p>Předřazený filtr zachycuje větší částice a zlepšuje účinnost ostatních filtrů, takže jej každý měsíc doporučujeme prohlédnout a v případě potřeby vyprat. Také se jej hodí prát pokaždé, když měníte filtr s aktivním uhlím.</p>
<p>Jak často je třeba čistit prachový snímač ve snímači SensorPod?</p>	<p>Povrch prachového snímače doporučujeme každý 1–2 měsíce čistit, aby byly výsledky měření kvality vzduchu co nejpřesnější.</p>
<p>Čistička se nezapíná.</p>	<p>Zkontrolujte, zda je napájecí kabel řádně zapojený do elektrické zásuvky i čističky. Zkontrolujte, zda v zásuvce nevypadl proud. Vyzkoušejte, jestli funguje osvětlení v místnosti, nebo k zásuvce připojte jiný funkční přístroj.</p> <p>Zkontrolujte, zda se v komoře filtru nachází správně nainstalovaný HEPA filtr.</p> <p>Pokud problém stále přetrvává, kontaktujte nás (strana 257).</p>

ČASTÉ DOTAZY A ŘEŠENÍ PROBLÉMŮ

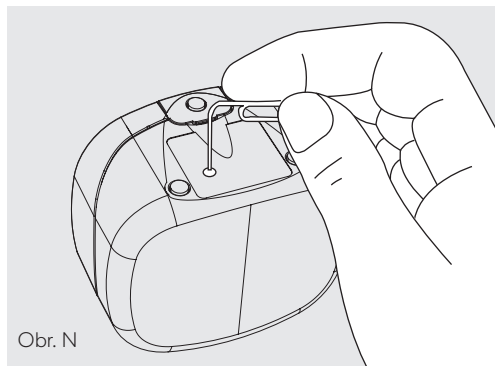
<p>Čistička se nepřepíná do automatického režimu.</p> <p>nebo</p> <p>Kontrolky kvality vzduchu nesvíí.</p> <p>nebo</p> <p>Kontrolka signálu snímače na čističce bliká.</p>	<p>Nejprve zkontrolujte, zda je snímač SensorPod zapnutý a zda jeho kontrolka svítí.</p> <p>Dále zkontrolujte, zda je snímač SensorPod v dosahu čističky (až 15 metrů).</p> <p>Pokud je vše v pořádku a spojení pořád nefunguje, řiďte se níže uvedenými pokyny k opravě spárování snímače SensorPod.</p>
<p>Nemůžu snímač SensorPod najít.</p>	<p>Žádné starosti. Kontaktujte náš tým zákaznické podpory a objednejte si náhradní snímač SensorPod. Poté náhradní snímač SensorPod podle jednoduchých pokynů níže spárujte s existující čističkou vzduchu.</p>

Párování snímače SensorPod™ a čističky

Snímač SensorPod komunikuje s čističkou pomocí vysokofrekvenčního signálu a je s ní párován už ve výrobě, takže ho můžete použít hned po rozbalení. Když se signál mezi snímačem a čističkou přeruší, na čističce bude blikat kontrolka snímače. Spárování můžete opravit několika snadnými kroky.

1. Odpojte snímač SensorPod od napájení.
2. Na čističce na 3 sekundy **PODRŽTE** vypínač. Měly by se ozvat dva zvukové signály.
3. Připojte snímač SensorPod k napájení a pomocí předmětu s malým hrotem (třeba sponky na papír) na jeho spodní straně stiskněte a na 5–7 sekund **PODRŽTE** párovací tlačítko (obr. N).

4. Jakmile kontrolka snímače na čističce přejde z blikání na soustavné svícení a rozsvítí se kontrolky kvality vzduchu, párování je hotové.



Obr. N

ZÁRUKA

Na provoz tohoto přístroje platí při běžném používání záruka dva roky ode dne nákupu. Během záruční doby firma ACCO podle svého uvážení vadný přístroj bezplatně opraví, nebo vymění. Na závady způsobené nesprávným nebo nevhodným používáním se nevztahuje záruka. Je nutné předložit doklad o nákupu s datem. Opravy a změny přístroje provedené osobou, jež k tomu není oprávněna firmou ACCO, zruší platnost záruky. Snažíme se zajistit, aby naše výrobky fungovaly v souladu s uvedenými technickými údaji. Touto zárukou nejsou ovlivněna zákonná práva vztahující se na prodej zboží, která spotřebitelům přísluší podle příslušných státních zákonů.

PODPORA

Děkujeme, že jste si do domácnosti zakoupili produkt TruSens™. Na našich zákaznících nám velmi záleží a naše produkty navrhujeme tak, aby vyhovovaly vašemu životnímu stylu. Jestli máte nějaké dotazy nebo zpětnou vazbu, kontaktujte nás.

Navštivte naše webové stránky na www.leitz.com/trusens

Napište nám e-mail na objednavky@acco.com

Zavolejte nám na +420 261 912 720

Chcete-li zaregistrovat a aktivovat záruku, přejděte na www.leitz.com/register

TruSens™

Vitajte vo svete čistého vzduchu so zariadením TruSens.
Ďakujeme, že ste nám umožnili stať sa súčasťou
vašej cesty za lepším zdravím.

Vzduch, ktorý dýchate, by mal byť čistý, bez ohľadu na to, kde
v miestnosti sa nachádzate. Technológie TruSens SensorPod™,
PureDirect™ a systém 360-stupňovej filtrácie zaisťujú, že
čistejší vzduch sa dostane do všetkých častí miestnosti.

BEZPEČNOSTNÉ POKYNY

PREČÍTAJTE SI A UCHOVAJTE TIETO POKYNY

Prístroj odpojte z napájania pred výmenou filtrov alebo žiariča UV-C, alebo keď sa prístroj nepoužíva.



VAROVANIE: Aby ste znížili riziko požiaru alebo úrazu elektrickým prúdom, nepoužívajte tento čistič vzduchu s elektrickým zariadením na reguláciu otáčok.

Nepoužívajte čistič vzduchu s poškodeným káblom alebo zástrčkou, alebo ak je zásuvka uvoľnená. Ak je napájací kábel poškodený, musí ho vymeniť výrobca, jeho servisný zástupca alebo osoby s príslušnou kvalifikáciou, aby sa predišlo nebezpečenstvu.

Nevedzte kábel pod kobercami, rohožami, behúňmi alebo podobnými krytinami. Nevedzte kábel pod nábytkom či spotrebičmi. Umiestnite kábel mimo oblasti pohybu tam, kde sa oň nebude zakopávať.



VAROVANIE: Pri priamom sledovaní svetla produkovaného žiaričom UV-C v tomto prístroji môže dôjsť k poškodeniu pokožky alebo očí. Nesprávne používanie prístroja alebo poškodenie krytu môžu spôsobiť únik nebezpečného žiarenia UV-C. Žiarenie UV-C môže dokonca aj v malých dávkach spôsobiť poškodenie očí a pokožky. Pred výmenou lampy alebo vykonávaní údržby vždy odpojte napájanie. Vymeňte žiarič UV-C za položku 2415108 (pre model Z-2000) alebo 2415111 (pre model Z-3000), ktoré vyrába spoločnosť ACCO Brands.

- Pred použitím odstráňte všetky obaly vrátane vrečka, ktoré zakrýva filter.
- Zjavne poškodené prístroje sa nesmú používať.
- Tento prístroj musí byť zapojený len do zásuvky, ktorá sa zhoduje s dodaným typom zástrčky a klasifikáciou uvedenou na výkonnostnom štítku.
- Umiestnite čistič vzduchu do blízkosti zásuvky a nepoužívajte predlžovacie káble.
- Tento prístroj môžu používať deti staršie ako 8 rokov a akékoľvek osoby so zníženými fyzickými, zmyslovými alebo mentálnymi schopnosťami či nedostatočnými skúsenosťami a znalosťami za predpokladu, že im bol pridelený dozor alebo udelené pokyny týkajúce sa používania tohto prístroja bezpečným spôsobom a chápu súvisiace riziká.
- Deti sa nesmú s prístrojom hrať, čistiť ho alebo pokúšať sa vykonávať jeho údržbu.
- Vymeňte žiarič UV-C za model uvedený v tomto návode.
- Nepokúšajte sa vykonať servis alebo opravu tohto výrobku svojpomocne.
- Používajte čistič a zariadenie SensorPod™ výhradne s dodaným napájacím káblom.
- Tento prístroj čistíte výhradne vlhkou handričkou. Nepoužívajte rozpúšťadlá ani bielidlá.
- Dbajte na to, aby bol pred prevádzkou prístroj vždy umiestnený na pevnom, rovnom povrchu.
- Neblokujte otvory na vstup alebo výstup vzduchu ani pred ne neumiestňujte prekážky.
- Do otvorov na vstup alebo výstup vzduchu nevkładajte prsty alebo iné predmety.
- Keď je čistič vzduchu v pohotovostnom režime, zariadenie SensorPod™ stále prenáša signál/dáta.

Prevádzková frekvencia

Bezdrôtová: 2 462 MHz

Maximálny vysielač výkon (EIRP)

Bezdrôtový: 0 dBm

Zisk antény

Bezdrôtový: 2 Dbi

Týmto spoločnosť ACCO UK Ltd prehlasuje, že rádiové zariadenia typu čističe vzduchu Leitz TruSens Z-2000/Z-3000 sú v súlade so smernicou 2014/53/EÚ.

Úplný text prehlásenia EÚ o zhode je k dispozícii na nasledujúcej internetovej stránke:

<https://declarations.accobrands.com/>

Aby sa zachoval súlad s požiadavkami na vystavenie vysokofrekvenčnému žiareniu, medzi telom používateľa a zariadením je nutné dodržiavať minimálnu vzdialenosť 0,2 m.

Odpad z elektrických a elektronických zariadení (OEEZ)

Na konci doby použiteľnosti sa produkt považuje za odpad OEEZ. Preto je dôležité uvedomiť si, že odpad OEEZ sa nesmie likvidovať ako netriedený komunálny odpad. Musí sa zhromažďovať samostatne, aby mohol byť rozmontovaný, aby jeho súčasti a materiály mohli byť recyklované, znovu použité a zužitkované (ako palivo na zužitkovanie energie v rámci výroby elektriny).

Obce zriadili verejné zberné miesta na zber odpadu OEEZ, za ktorý neplatíte.

Vráťte svoj odpad OEEZ do najbližšieho zberného miesta k vášmu domovu alebo kancelárii.

Ak nedokážete nájsť zberné miesto, obchodník, ktorý vám predal tento produkt, by mal prijať váš odpad OEEZ.

Ak už nie ste s obchodníkom v kontakte, kontaktujte spoločnosť ACCO za účelom pomoci v tejto záležitosti.

Recyklácia odpadu OEEZ sa zameriava na ochranu životného prostredia, ochranu ľudského zdravia, ochranu surovín, zlepšovanie udržateľného rozvoja a zabezpečenie lepších dodávok komodít v rámci Európskej únie. To sa dosiahne zužitkovaním cenných sekundárnych surovín a obmedzením likvidácie odpadu. K úspechu týchto cieľov môžete prispieť tým, že vrátite odpad OEEZ na zberné miesto.

Váš produkt je označený symbolom OEEZ (odpadkový kôš na kolesách s preškrtnutým symbolom X). Tento symbol vás má informovať, že odpad OEEZ sa nesmie likvidovať ako netriedený komunálny odpad.

Čističe vzduchu Leitz TruSens sú tiež vybavené žiarivcom UV-C. Po výmene tejto položky (počas životnosti produktu) sa tieto musia tiež vrátiť a zlikvidovať v miestnom zbernom mieste OEEZ.

Ďalšie informácie a inštaláčne príručky / videá pre žiariv UV-C nájdete na www.leitz.com

PREHĽAD DÔLEŽITÝCH FUNKCIÍ



SensorPod™

Diaľkový monitor kvality vzduchu zaisťuje čistejší vzduch presne tam, kde ho potrebujete.



Technológia PureDirect™

Nezávislé laboratórne testovanie potvrdilo, že dva prúdy vzduchu sú lepšie než jeden, pretože zaisťujú efektívnejší a príjemnejší pohyb vzduchu v miestnosti.



Informuje a prispôsobuje sa

Svetelný kruh s rôznymi farbami osvetlenia poskytuje ďalšie informácie tým, že informuje o kvalite vzduchu v reálnom čase.



360° čistenie

HEPA filter zachytáva znečisťujúce látky plyny prchavých organických zlúčenín (POZ), resp. pachy zo všetkých smerov. UV-C svetlo zabíja baktérie, ktoré sa mohli zachytiť vo filtri.

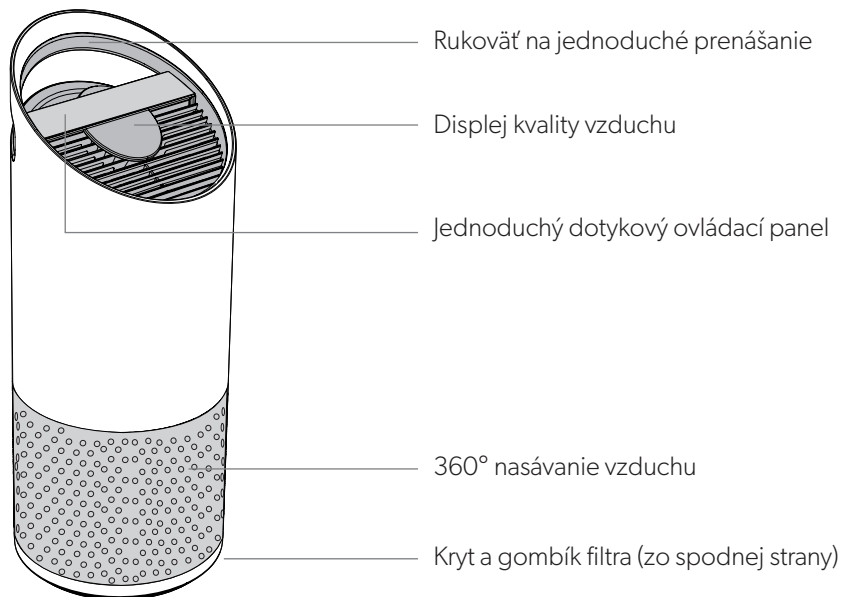


Premyslené vyhotovenie

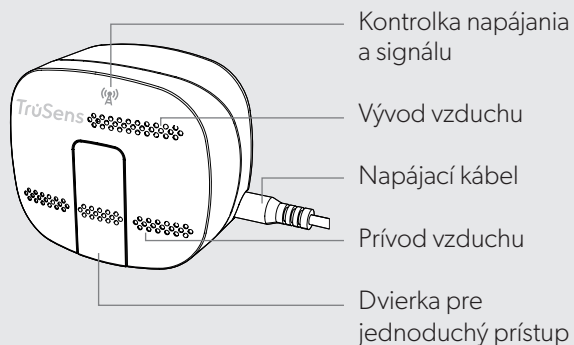
Výnimočná funkčnosť v šate moderného dizajnu, ktorý sa hodí do každého prostredia.

PREHĽAD VÝROBKU

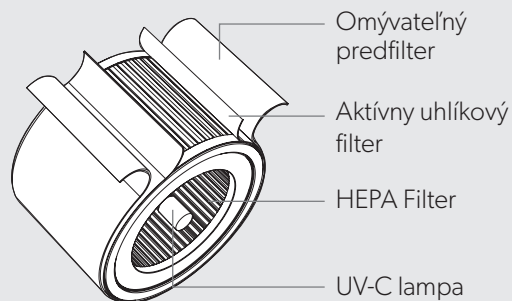
Čistič vzduchu



SensorPod™



Filter a UV-C lampa

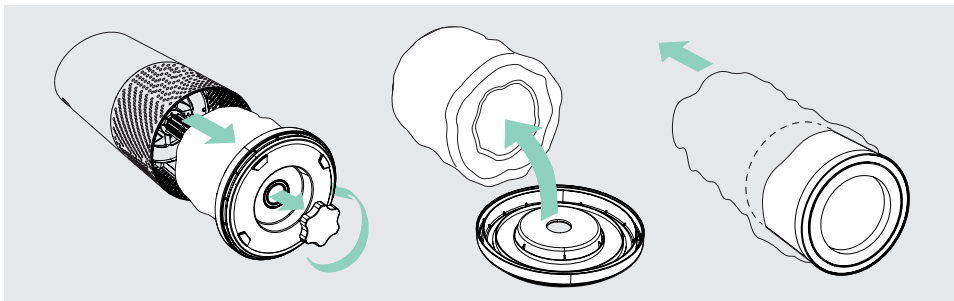


ZAČÍNAME



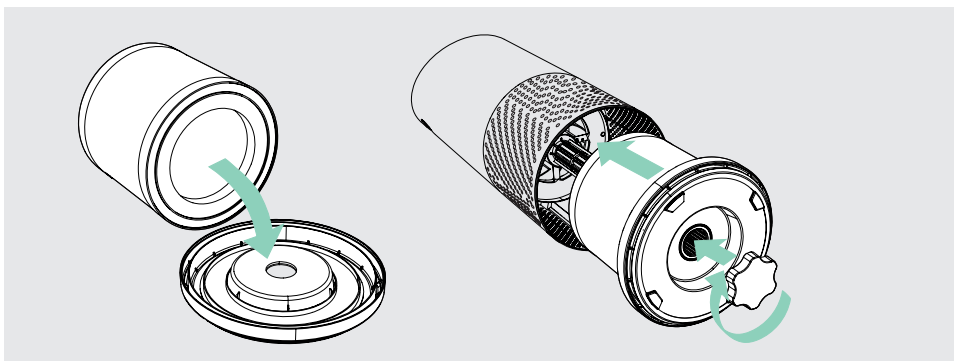
1. Odstráňte plastové vrečko z filtra

Odskrutkujte spodný kryt a odstráňte z filtra plastové vrečko.



2. Znova pripojte filter

Prichyťte filter k spodnému krytu a umiestnite ho späť do čističa.



3. Nastavenie

Zapojte zariadenie SensorPod do zásuvky.

Umiestnite zariadenie SensorPod vo vzpriamenej polohe na vrch stola alebo pracovný povrch na druhej strane miestnosti na dohľad od čističa.

Zapojte čistič do zásuvky a zapnite ho.

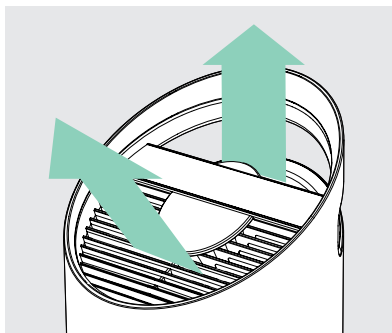
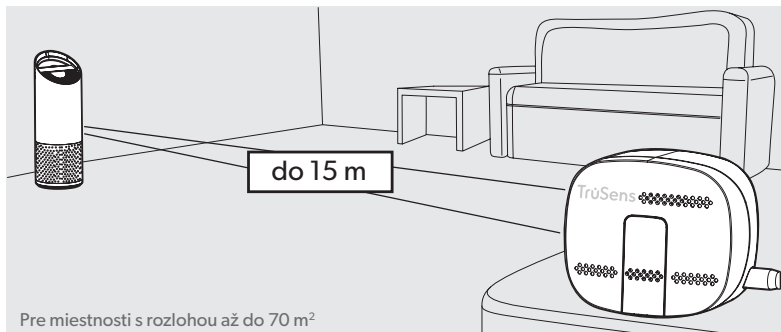
Umiestnite čistič na plochý povrch bez prekážok

- ak, aby vzduch mohol voľne prúdiť do čističa zo všetkých strán,
- vyhňte sa nábytku, ako sú postele a záclony, ako aj zdrojom tepla alebo vlhkosti.

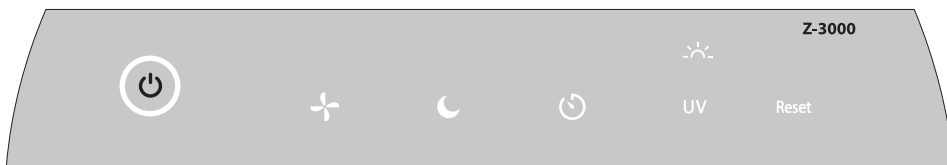
Sila signálu sa môže podľa umiestnenia líšiť. Postup pre výnimočné prípady, keď to nefunguje, si pozrite na strane 273.

4. Začnite žiť s čistejším vzduchom!

Čistič automaticky prispôsobí otáčky ventilátora na základe výsledkov meraní kvality vzduchu zo zariadenia SensorPod a unikátna technológia PureDirect™ dodá do celej miestnosti prečistený vzduch.



OVLÁDACÍ PANEL



Tlačidlo napájania



Nastavenie otáčok ventilátora

Vyberte otáčky ventilátora alebo AUTOMATICKÝ režim. V automatickom režime čistič automaticky prispôbuje otáčky ventilátora na základe výsledkov meraní kvality vzduchu zo zariadenia SensorPod.

(Automatický režim je dostupný iba v prípade, keď je čistič spárovaný so zariadením SensorPod a prijíma signál.)



Nočný režim

Podsvetlenie displeja sa vypne. Slúži na používanie počas spánku bez kompromisov v oblasti účinnosti čističa.

Ak chcete všetky funkcie displeja znova aktivovať, jednoducho znova stlačte toto tlačidlo.




Režim časovača

Čistič sa automaticky vypne po 2, 4, 8 alebo 12 hodinách. Ak chcete odpočet zrušiť, jednoducho stlačajte tlačidlo, až kým sa nebude zobrazovať žiadne nastavenie časovača.



UV režim

UV-C lampy v komore filtra čističa je zapnutá, keď je symbol  biely.

Symbol  sa rozsvieti načerveno, keď nastal čas na výmenu UV-C lampy.

(Pozrite si pokyny na strane 270).

Reset

Resetovanie filtra a UV kontrolky

Kontrolky „HEPA“, „Carbon“ a „UV“ sa rozsvetia načerveno, keď je potrebné ich vymeniť.

Keď sa rozsvieti 1 kontrolka, jednoducho podržte stlačené tlačidlo Reset na tri sekundy, čím kontrolku zresetujete.

Keď svietia aspoň dve kontrolky, ťuknite na tlačidlo Reset a vyberte príslušnú kontrolku (vybraná kontrolka bude blikať). Až potom podržte tlačidlo stlačené na tri sekundy na jej zresetovanie.

(Pokyny na výmenu nájdete na stranách 268 až 270. Po výmene filtra sa riadte pokynmi na resetovanie kontrolky vyššie.)

DISPLEJ KVALITY VZDUCHU

Spätná väzba v reálnom čase

Revolučné zariadenie SensorPod™ vyhodnocuje stav vzduchu meraním množstva malých (PM 2,5) aj veľkých (PM 10) tuhých častíc. Vypočítava celkovú kvalitu vzduchu na základe unikátneho algoritmu, ktorý reaguje na reálne zvýšenia množstva znečisťujúcich látok bez toho, aby prehnane reagoval na vstup osoby do miestnosti alebo jej usadenie na pohovke.

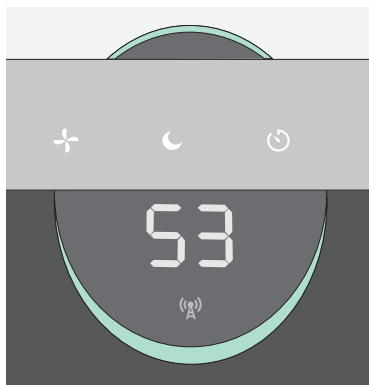
Podsvietený displej s farebným rozlíšením informuje o dobrej, strednej alebo nedostatočnej kvalite vzduchu a číselná hodnota poskytuje presnejší údaj.

V AUTOMATICKOM režime čistič automaticky upravuje otáčky ventilátora v reakcii na tieto výsledky merania kvality vzduchu.

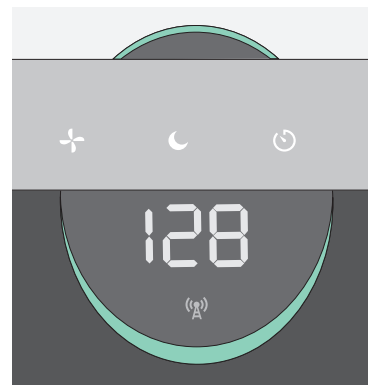
DOBRA
MODRÁ | 0 - 50



STREDNA
ŽLTÁ | 50 - 100



NEDOSTATOČNA
ČERVENÁ | 100 - 500



TECHNICKÉ PARAMETRE

Prívod vzduchu	360°
Výmena vzduchu dvakrát za hodinu	70 m ²
Typ dodávania vzduchu	PureDirect™
Snímač	SensorPod™, funguje v dosahu 15 m od čističa
Nastavenia otáčok ventilátora	Šepot (Whisper), 1, 2, 3, Turbo
Úrovně čistenia	Omývateľný predfilter, aktívny uhlíkový filter, HEPA filter, UV-C lampa
Nastavenia časovača	2, 4, 8, 12 hodín
Kontrolky výmeny filtra	„Carbon“, „HEPA“, „UV“
Hluk	32 - 66 dB
Rozmery	263 x 263 x 726 mm
Hmotnosť	5,7 kg
Typ motora	DC motor
Požiadavky na napájanie	220-240v 50/60H 0,5A
Spotreba energie	68 W
Záruka	2 roky

Náhradné filtre a UV-C lampa

Bubnový HEPA filter 3 v 1	2415110
Aktívny uhlíkový filter (balenie s 3 kusmi)	2415109
UV-C lampa	2415111

STAROSTLIVOSŤ A ÚDRŽBA

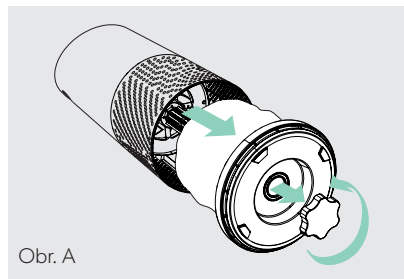
Prístup ku komore filtra

1. Čistič vždy vypnite stlačením tlačidla napájania a odpojením napájacieho kábla.
2. Zariadenie položte jemne na stranu na podlahu, aby ste mali prístup ku krytu komory filtra a gombíku.
3. Otočte gombíkom proti smeru hodinových ručičiek a odstráňte kryt komory filtra a 360° bubnový HEPA filter (obr. A).

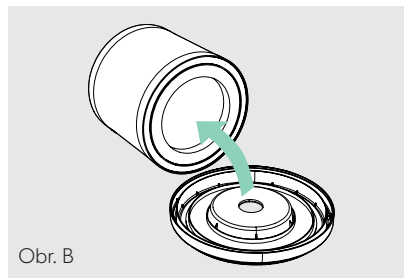
VÝMENA HEPA FILTRA

1. Kontrolka HEPA filtra sa rozsvieti načerveno, keď nastal čas vymeniť celý bubnový HEPA filter.
2. Jemne vytiahnite bubnový HEPA filter z miesta prichytenia ku krytu filtra (obr. B).
3. Upevnite na kryt filtra náhradný HEPA filter (obr. C).
4. Jemne znova vložte kryt filtra a bubnový filter do komory a do drážok a otočte gombíkom v smere hodinových ručičiek, až kým nie sú gombík a kryt filtra bezpečne utiahnuté (obr. D).
5. Pripojte čistič k zdroju napájania a zapnite ho. Potom podržte tlačidlo Reset, až kým červená kontrolka HEPA filtra nezhasne.

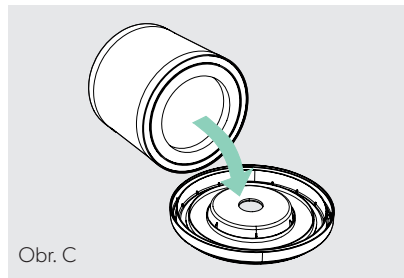
Poznámka: Bubnový HEPA filter (pozrite si stranu 267) bude obsahovať 3 vrstvy: omývateľný predfilter, aktívny uhlíkový filter a HEPA filter.



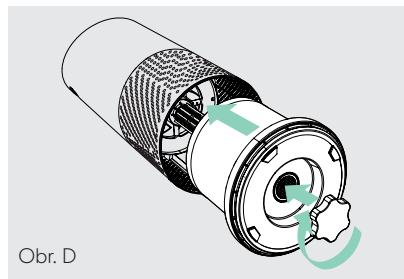
Obr. A



Obr. B



Obr. C



Obr. D

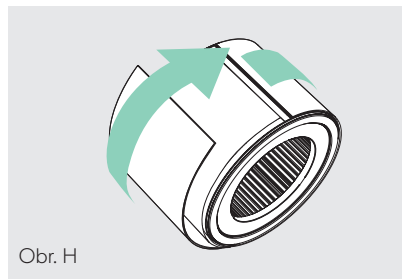
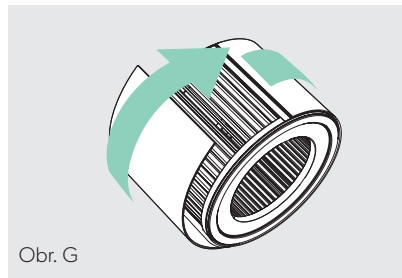
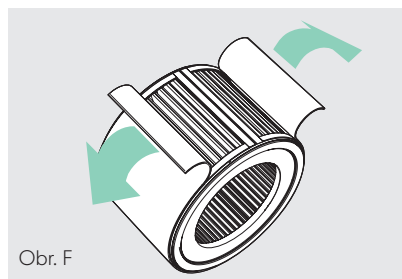
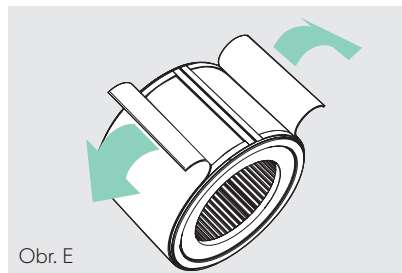
VÝMENA AKTÍVNEHO UHLÍKOVÉHO FILTRA

1. Kontrolka uhlíkového filtra sa rozsvieti načerveno, keď nastal čas na výmenu uhlíkovej vrstvy.
2. jemne odlepte predfilter od upevňovacích prúžkov (obr. E).
3. jemne odlepte použitú uhlíkovú vrstvu od upevňovacích prúžkov (obr. F).
4. Omotajte novú uhlíkovú vrstvu okolo bubna filtra a upevnite tie isté upevňovacie prúžky (obr. G).
5. Omotajte predfilter okolo uhlíkovej vrstvy a pripevnite upevňovacie prúžky (obr. H).
6. Po zapnutí čističa podržte stlačené tlačidlo Reset, až kým červená kontrolka uhlíkového filtra nezhasne.



Poznámka: Balenie s tromi kusmi aktívneho uhlíkového filtra (pozrite si stranu 267) postačí na tri výmeny uhlíkového filtra potrebné medzi jednotlivými výmenami bubnového filtra HEPA (pozrite si stranu 268).

UMÝVANIE PREFILTRA

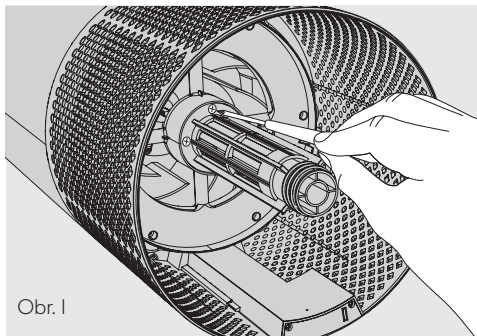
1. Odporúčame predfilter vizuálne skontrolovať každý mesiac a vyčistiť ho podľa potreby. Minimálne by ste mali predfilter ručne umyť pri každej výmene aktívneho uhlíkového filtra.
2. jemne odlepte omývateľný predfilter od upevňovacích prúžkov (obr. E).
3. jemne opláchnite pod tečúcou vodou. Pred opätovným vložením nechajte predfilter voľne vyschnúť.
4. Omotajte predfilter okolo bubna filtra a pripevnite upevňovacie prúžky (obr. H).



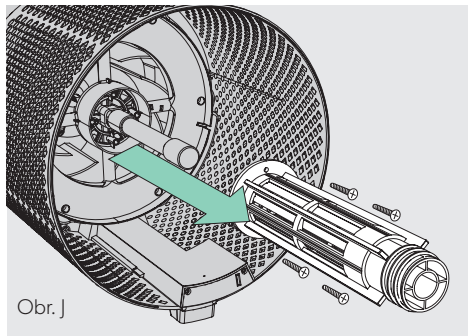
VÝMENA UV-C LAMPY

1. Kontrolka  sa rozsvieti načerveno, keď nastal čas na výmenu UV-C lampy.
2. Vyberte bubon HEPA filtra (obr. A) a pomocou skrutkovača odstráňte štyri skrutky, ktoré zaisťujú kryt UV žiarovky (obr. I).
3. Jemne vyberte kryt UV žiarovky (obr. J).
4. Odpojte UV-C lampu z objímky čističa (obr. K).
5. Náhradnú UV-C lampu (pozrite si stranu 267) môžete zapojiť priamo do rovnakej objímky (obr. L).
6. Vráťte kryt UV žiarovky na miesto a skrutkovačom utiahnite upevňovacie skrutky.
7. Po zapnutí čističa podržte stlačené tlačidlo Reset, až kým kontrolka  nezmení farbu na bielu.

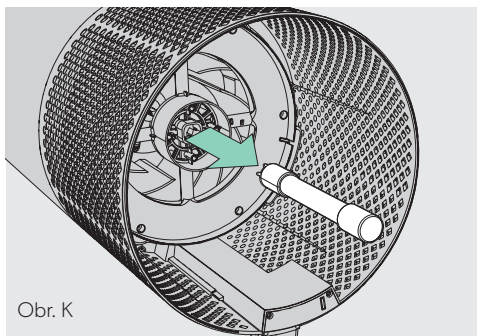
Poznámka: Po výmene žiariča UV-C ho zlikvidujte v miestnom zbernom mieste OEEZ.



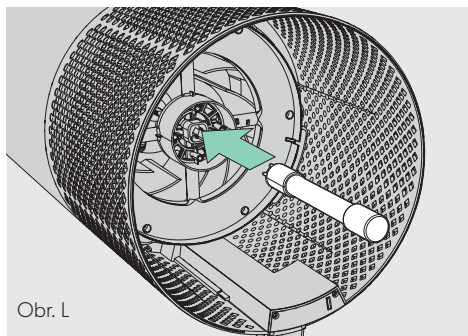
Obr. I



Obr. J



Obr. K



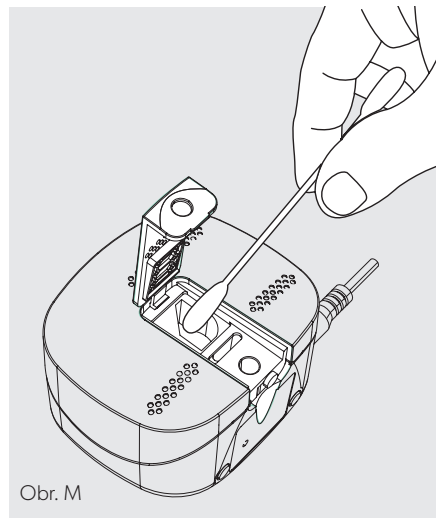
Obr. L

ČISTENIE ZARIADENIA SENSORPOD™

Čistenie snímača kvality vzduchu

Zariadenie SensorPod™ používa na detekciu tuhých častíc infračervené svetlo, preto je dôležité, aby ste komoru prachového snímača čistili raz za 1 až 2 mesiace, aby ste odstránili prípadný prach alebo častice, ktoré by mohli ovplyvniť presnosť výsledkov meraní snímača.

1. Vypnite zariadenie SensorPod odpojením napájacieho kábla.
2. Otvorte dvierka pre jednoduchý prístup na prednej strane tak, že ich zdvihnete v 90° uhle.
3. Pomocou vlhkej vatovej tyčinky utrite šošovku a oblasť nasávania prachového snímača (obr. M).
4. Suchou vatovou tyčinkou utrite zvyšky vlhkosti.
5. Zatvorte kryt jeho spustením a zasunutím späť na miesto, až kým nezacvakne.



ČASTÉ OTÁZKY A RIEŠENIE PROBLÉMOV

<p>Kde mám umiestniť zariadenie SensorPod™?</p>	<p>Kdekoľvek v miestnosti, kde chcete merať kvalitu ovzdušia!</p> <p>Ak chcete dosiahnuť optimálne výsledky, umiestnite zariadenie SensorPod™ do 15 metrov od čističa vzduchu na pracovný povrch alebo stôl tak, aby medzi oboma zariadeniami neboli žiadne prekážky. V automatickom režime čistič dodáva čistý vzduch, kým zariadenie SensorPod™ nezistí prijateľnú úroveň kvality vzduchu.</p>
<p>Ako často je potrebné meniť filtre?</p>	<p>To je hračka! Kontrolky výmeny čističa vás upozornia, keď nastane čas vymeniť uhlíkový alebo HEPA filter, prípadne UV-C lampu.</p> <p>Počítajte s tým, že aktívny uhlíkový filter je potrebné meniť raz za 3 až 4 mesiace, HEPA filter každých 12 až 15 mesiacov a UV-C lampu raz za 1 až 3 roky.</p>
<p>Ako často je potrebné umývať predfilter?</p>	<p>Predfilter zachytáva veľké častice a uchováva účinnosť ostatných filtrov, preto odporúčame vizuálne kontrolovať predfilter každý mesiac a umývať ho podľa potreby. Ďalším dobrým zvykom je umývať predfilter pri každej výmene uhlíkového filtra.</p>
<p>Ako často je potrebné čistiť prachový snímač v zariadení SensorPod?</p>	<p>Pre najpresnejšie meranie kvality ovzdušia odporúčame čistiť povrch prachového snímača raz za 1 až 2 mesiace.</p>
<p>Čistič sa nedá zapnúť.</p>	<p>Skontrolujte, či je napájací kábel bezpečne pripojený k elektrickej zásuvke aj čističu. Skontrolujte, či je v zásuvke prúd, napríklad zapnutím svetla v miestnosti alebo pripojením funkčného zariadenia do tej istej zásuvky.</p> <p>Skontrolujte, či je HEPA filter správne vložený v komore filtra.</p> <p>Ak problém pretrváva, kontaktujte nás. (strana 274).</p>

ČASTÉ OTÁZKY A RIEŠENIE PROBLÉMOV

<p>Čistič sa neprepne do automatického režimu. alebo Ukazovatele kvality vzduchu sú vypnuté. alebo Kontrolka snímača čističa bliká.</p>	<p>Najskôr skontrolujte, či je zariadenie SensorPod zapojené do zásuvky a jeho kontrolka nepretržite svieti.</p> <p>Ďalej skontrolujte, či je zariadenie SensorPod v dosahu čističa (do 15 m).</p> <p>Ak sú splnené obidve podmienky a pripojenie stále zlyháva, pozrite si pokyny týkajúce sa opravy pripojenia zariadenia SensorPod nižšie.</p>
<p>Stratil(a) som SensorPod!</p>	<p>Žiadne obavy! Kontaktujte náš tím zákazníckej podpory, u ktorého si môžete objednať náhradné zariadenie SensorPod. Riad'te sa jednoduchými pokynmi na párovanie nižšie a spárujte náhradné zariadenie SensorPod s existujúcim čističom vzduchu.</p>

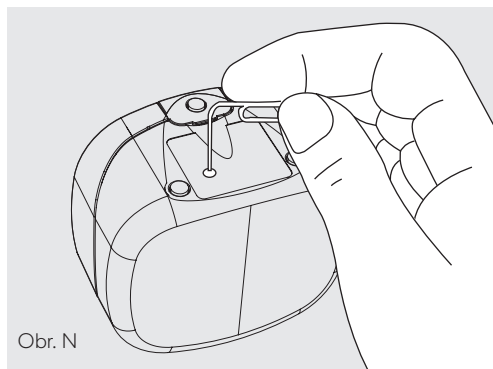
Párovanie zariadenie SensorPod s čističom

Zariadenie SensorPod komunikuje s čističom pomocou rádiových signálov a je spárované na výrobnéj linke a pripravené na použitie ihneď po rozbalení. V zriedkavom prípade, keď dôjde k prerušeniu signálu, začne kontrolka snímača čističa blikáť. Pripojenie môžete opraviť niekoľkými jednoduchými krokmi.

1. Odpojte zariadenie SensorPod od napájania.
2. **PODRŽTE** stlačené tlačidlo napájania na čističi po dobu troch sekúnd. Mali by zaznieť dve cinknutia.
3. Pripojte zariadenie SensorPod k napájaniu a pomocou predmetu s malým hrotom (napr. spinka) stlačte a **PODRŽTE** stlačené tlačidlo párovania na spodnej strane zariadenia SensorPod po dobu 5 až

7 sekúnd (obr. N).

4. Pripojenie sa nadviaže, keď sa kontrolka snímača čističa natrvalo rozsvieti a ukazovatele kvality vzduchu sa rozsvietia.



Obr. N

ZÁRUKA

Prevádzka tohto zariadenia je krytá zárukou po dobu dvoch rokov od dátumu kúpy, za podmienky bežného používania. V rámci záručnej doby spoločnosť ACCO na základe vlastného uváženia bezplatne buď opraví, alebo vymení pokazené zariadenie. Na poruchy z dôvodu nesprávneho použitia alebo použitia na nevhodné účely sa záruka nevzťahuje. Bude vyžadovaný doklad o dátume kúpy. Opravy alebo modifikácie vykonané osobami, ktoré nie sú poverené spoločnosťou ACCO, spôsobia neplatnosť záruky. Naším cieľom je zabezpečiť, aby naše produkty fungovali v rámci uvedených technických údajov. Táto záruka neovplyvňuje zákonné práva, ktoré majú spotrebitelia v rámci príslušných národných právnych predpisov, ktorými sa riadi predaj tovaru.

PODPORA

Ďakujeme, že ste u seba doma prijali zariadenie TruSens™. Naši zákazníci sú stredobodom našich činností a usilujeme sa navrhovať výrobky, ktoré vyhovujú vášmu životnému štýlu. Ak máte otázky alebo pripomienky, ozvite sa nám!

Navštívte náš web na adrese www.leitz.com/trusens

Pošlite nám e-mail na adresu objednavky@acco.com

Zavolajte nám na číslo [+420 261 912 720](tel:+420261912720)

Ak sa chcete zaregistrovať a aktivovať svoju záruku, prejdite na www.leitz.com/register

TruSens™

Köszönjük, hogy a TruSens légtisztítót választotta!
Örömkre szolgál, hogy segíthetünk egészsége
megőrzésében.

A levegőnek mindenütt tisztának kell lennie, akárhol
tartózkodik is a szobában. A TruSens SensorPod™, a
PureDirect™ rendszer és a 360°-os szűrés garantálja,
hogy a levegő a szoba minden pontján tiszta lesz.

BIZTONSÁGI INFORMÁCIÓK

OLVASSA EL ÉS ŐRIZZE MEG EZEKET AZ ELŐÍRÁSOKAT

Húzza ki a hálózati csatlakozódugót a konnektorból a szűrők vagy az UV-C emitter cseréje előtt, vagy ha a készülék nincs használatban.



FIGYELEM! A tűz és az áramütés kockázatának csökkentése érdekében ne használja a légtisztítót félvezető sebességszabályozó berendezéssel. Ne üzemeltesse a légtisztítót sérült hálózati kábellel vagy dugóval, vagy ha a fali aljzat laza. Ha a hálózati kábel sérült, akkor a kockázatok elkerülése érdekében ki kell cserélni a gyártóval, annak hivatalos szervizével vagy egy megfelelően képzett szakemberrel. Ne vezesse a kábelt szőnyegek, takarók vagy hasonlók alatt. Ne vezesse a kábelt bútorok vagy háztartási gépek alatt. Olyan helyen vezesse a kábelt, ahol nem járnak emberek és nem okozhat botlásveszélyt.



FIGYELEM! A készülékben levő UV-C emitter kisugárzása bőr vagy szemkárosodást okozhat, ha közvetlenül belenéznek a fénybe. A készülék nem rendeltetésszerű használata vagy a ház sérülése veszélyes UV-C sugárzás kijutásához vezethet. Az UV-C sugárzás még kis adagban is károsíthatja a szemet és a bőrt. Az emitter cseréje vagy karbantartás előtt mindig áramtalanítsa a készüléket. Az UV-C emitter cseréjéhez az ACCO Brands 2415108 cikkszámú (Z-2000 esetén) vagy 2415111 cikkszámú (Z-3000 esetén) termékét használja.

- Használat előtt távolítsa el az összes csomagolást és a szűrőt borító tasakot is.
- Olyan készüléket, amelyik láthatóan sérült, tilos üzemeltetni.
- A készülék hálózati csatlakozódugóját csak a típusának megfelelő és az adattáblán feltüntetett feszültségértékű fali konnektorba szabad bedugni.
- A légtisztítót a fali konnektor közelében helyezze el, és ne használjon hosszabbítót.
- A készüléket használhatják 8 évnél idősebb gyermekek, illetve olyan személyek is, akiknek a fizikai, érzékelési vagy mentális képességei gyengébbek, vagy nincs kellő tapasztalatuk és tudásuk, feltéve, ha ezt felügyelet alatt teszik, vagy a készülék biztonságos használatára kioktatták őket és tisztában vannak a kapcsolódó veszélyekkel.
- A gyermekek nem játszhatnak a készülékkel, nem tisztíthatják azt, és nem kísérrelhetik meg annak karbantartását sem.
- Az UV-C emittert a kézikönyvben meghatározott típusú emitterrel cserélje ki.
- Ne próbálja saját maga szervizelni vagy megjavítani a készüléket.
- A légtisztítót és a SensorPod™ érzékelőt csak a tartozék hálózati kábellel használja.
- A készüléket csak nedves törölrönggyel tisztítsa meg, ne használjon tisztítószert vagy oldószert.
- A bekapcsolás előtt ellenőrizze, hogy a készülék szilárd, sík felületen álljon.
- Ügyeljen arra, hogy a levegő bemeneti és kimeneti nyílásait szabadon hagyja.
- Ne dugja az ujját vagy egyéb tárgyat a levegő bemeneti vagy kimeneti nyílásába.
- A SensorPod™ akkor is továbbít jelet/adatot, amikor a légtisztító készenléti üzemmódban van.

Üzemi frekvencia

Vezeték nélküli: 2462 MHz

Maximális adóteljesítmény (EIRP)

Vezeték nélküli: 0 dBm

Antennanyeresség

Vezeték nélküli: 2 dBi

Az ACCO UK Ltd ezennel kijelenti, hogy a Leitz TruSens Air Purifier Z-2000/Z-3000 rádióberendezés-típusok megfelelnek a 2014/53/EU irányelvnek.

Az EU-megfelelőségi nyilatkozat teljes szövege a következő internetcímen érhető el:

<https://declarations.accobrands.com/>

A rádiófrekvenciás sugárzásnak való kitettségre vonatkozó előírások szerint a felhasználó és a készülék között legalább 20 cm távolságot kell tartani.

Elektromos és elektronikus berendezések hulladékai

A hasznos élettartam végén az elektromos és elektronikus berendezés hulladéknak minősül. Ezzel összefüggésben az alábbiakra hívjuk fel a figyelmet: A hulladék elektromos és elektronikus berendezéseket nem szabad válogatatlan települési hulladékként kidobni. A berendezéseket elkülönítetten kell összegyűjteni, azért, hogy azokat szétszereljék, és alkatrészeit és anyagaikat újra feldolgozzák, újrahasználják, vagy energetikailag hasznosítsák (tüzelő- vagy üzemanyagként villamosenergia-termelés során). Az önkormányzatok a hulladék elektromos és

elektronikus berendezések összegyűjtésére költségmenetesen igénybe vehető nyilvános gyűjtőpontokat üzemeltetnek.

Kérjük, hogy a hulladék berendezést vigyék be az otthonukhoz vagy irodájukhoz legközelebbi gyűjtőhelyre.

Ha nem találnak ilyen gyűjtőhelyet, akkor a kereskedőnek, ahol vásárolták azt, át kell vennie a hulladék berendezést.

Ha már nincsenek kapcsolatban a kereskedővel, ebben az ügyben forduljanak az ACCO céghez segítségért. A hulladék elektromos és elektronikus berendezések újrahasznosításának célja a környezet védelme, az emberi egészség védelme, a nyersanyagok megőrzése, a fenntartható fejlődés elősegítése, valamint jobb áruellátás biztosítása az Európai Unióban. Ezt a célt szolgálja az értékes másodlagos nyersanyagok visszanyerése és az ártalmatlanítandó hulladék mennyiségének csökkentése. E célok elérését segíthetik azzal, ha a hulladék berendezést eljuttatják egy gyűjtőhelyre.

A terméken az elkülönített gyűjtést jelző ábra látható (X jellel áthúzott szemétygyűjtő tartály). Az ábra arra hívja fel a figyelmet, hogy a hulladék elektromos és elektronikus berendezéseket nem szabad válogatatlan települési hulladékként kidobni.

A Leitz TruSens légtisztítók UV-C sugárzóval is felszereltek. A cikk cseréjekor (a termék élettartama alatt) ezeket a helyi WEEE-gyűjtőbe kell visszaadni és ártalmatlanítani.

További információk és az UV-C sugárzó telepítési útmutatói / videók megtalálhatók a www.leitz.com weboldalon

FŐBB JELLEMZŐK



SensorPod™

Külön levegőminőség-figyelő egység garantálja a tiszta levegőt ott, ahol szüksége van rá.



PureDirect™ rendszer

Független laboratóriumi vizsgálatok is megerősítik, hogy két légáramlás hatékonyabban és nagyobb kényelmet biztosítva mozgatja a levegőt a helyiségben, mint egy légáramlás.



Tájékoztatás és alkalmazkodás

A színjelzéssel kiegészítő információt is adó világító gyűrű valós időben tájékoztat a levegő minőségéről.



360°-os tisztítás

A HEPA-szűrő minden irányból megkötí a szennyező anyagokat és az illékony szerves gázokat/illatokat. Az UV-C fény elpusztítja a szűrőbe bejutott mikrobákat és baktériumokat.

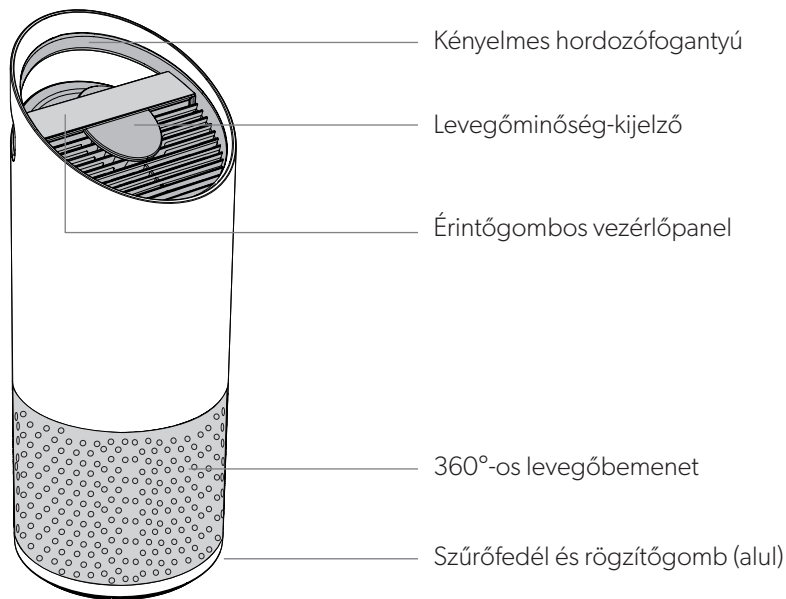


Átgondolt kialakítás

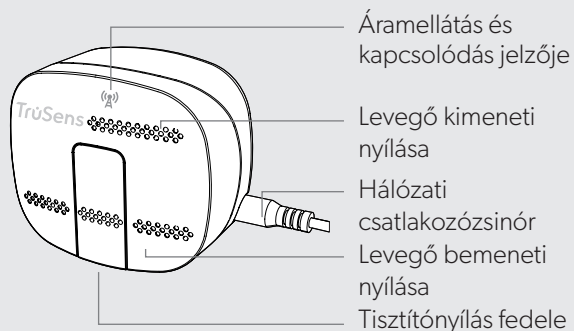
Kiemelkedő funkciókkal rendelkező modern megjelenésű készülék, amely minden környezethez jól illeszkedik.

A TERMÉK ÁTTEKINTÉSE

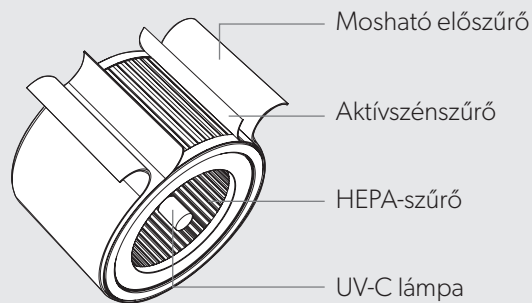
Légtisztító



SensorPod™



Szűrő és UV-C lámpa

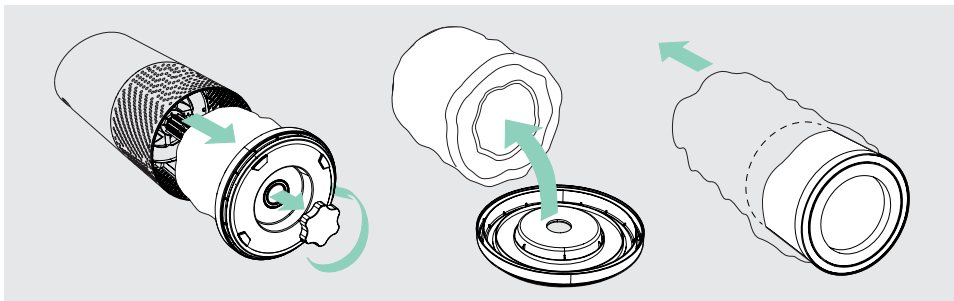


ELSŐ LÉPÉSEK



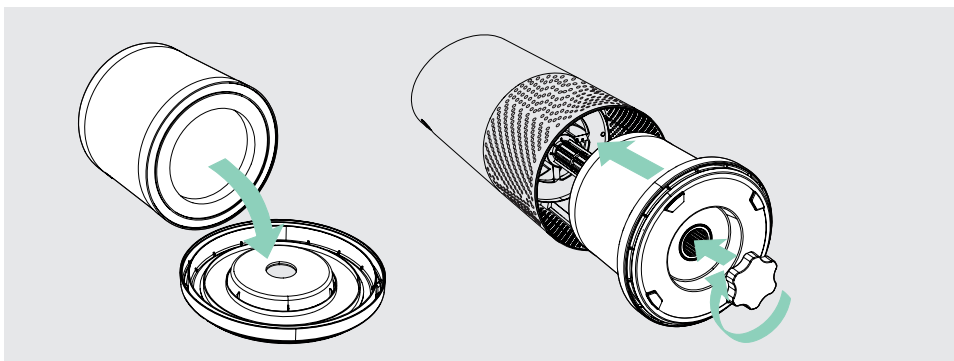
1. Vegye le a műanyag tasakot a szűrőről.

Csavarja le a légtisztító alaplapját és vegye le a műanyag tasakot a szűrőről.



2. Helyezze vissza a szűrőt

Rögzítse a szűrőt az alaplapon és helyezze vissza a légtisztítóba.



3. Üzembe helyezés

A SensorPod csatlakozódugóját dugja be a konnektorba.

A SensorPod egységet a szoba másik felén állítsa fel egy asztalra vagy vízszintes felületre a légtisztító látóterében.

A csatlakozódugót dugja be a konnektorba és kapcsolja be a légtisztítót.

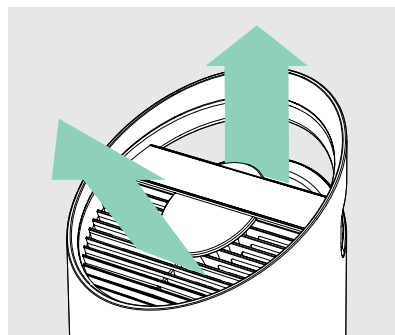
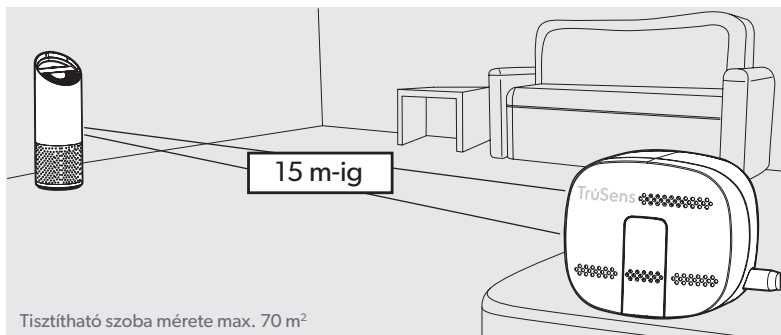
Helyezze a légtisztítót sík felületre, távol minden akadálytól

- ahol a levegő minden oldalról szabadon áramolhat a tisztítóberendezésbe
- ne legyen a közelben lakberendezési tárgy, például ágynemű vagy függöny, se semmilyen hő- vagy nedvességforrás.

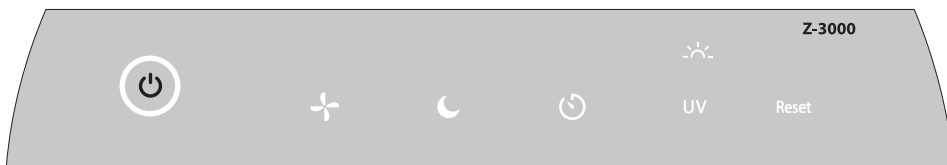
A jelerősség a helytől függően eltérő lehet. Abban a ritka esetben, ha valamiért nem működne, lásd a 290. oldalt.

4. Máris élvezheti a tisztább levegőt!

A légtisztító a SensorPod levegőminőségi adatai alapján automatikusan beállítja a ventilátor sebességét, az egyedi PureDirect™ rendszer pedig az egész helyiségben eloszlatja a tisztított levegőt!



VEZÉRLŐPULT



Bekapcsológomb



Ventilátorsebesség beállítása

Válassza ki a ventilátor sebességét vagy az AUTO üzemmódot.

AUTO üzemmódban a légtisztító a SensorPod levegőminőségi adatai alapján automatikusan beállítja a ventilátor sebességét.

(Az AUTO üzemmód csak akkor elérhető, ha a légtisztító párosítva van a SensorPod egységgel, és jelet kap.)



Éjszakai üzemmód

A kijelző megvilágítása kikapcsol – alvás közbeni használatra – úgy, hogy a légtisztító hatékonysága nem szenved csorbát.

Egyszerűen nyomja meg ismét a gombot, hogy újra megjelenjen a kijelző összes funkciója.



Időzítő üzemmód

A légtisztító 2, 4, 8 vagy 12 óra múlva automatikusan kikapcsol.

A visszaszámlálás törléséhez nyomja meg a gombot addig, amíg semmilyen időzítőbeállítás nem jelenik meg.



UV-üzemmód

A légtisztító szűrőkamrájában levő UV-C lámpa akkor üzemel, amikor a ☀ szimbólum fehéren világít.

A ☀ szimbólum pirosan világít, amikor az UV-C lámpa cserére szorul.

(Bővebben lásd a 287. oldalon.)



Reset

Szűrő- és UV-jelzők visszaállítása
A „HEPA”, „Carbon” és „UV” jelzőfényei pirosan világítanak, amikor cserére szorulnak.

Amikor 1 jelzőfény ég, a jelző visszaállításához 3 másodpercig nyomja meg a Reset gombot.

Amikor 2+ jelzőfény ég, a megfelelő jelző kiválasztásához érintse meg a Reset gombot (a kiválasztott jelző villog), mielőtt a visszaállításhoz 3 másodpercig lenyomná a gombot.

(A cserére vonatkozó utasításokat lásd a 285–287. oldalon. A szűrő cseréje után kövesse a jelző visszaállítására vonatkozó fenti utasításokat.)

LEVEGŐMINŐSÉG-KIJELZŐ

Valós idejű visszajelzés

A forradalmian új SensorPod™ a kisebb (PM_{2,5}) és a nagyobb (PM₁₀) finomszemcsés anyagok mérésével értékeli a levegő állapotát. Kiszámítja az általános levegőminőséget egy egyedi algoritmus segítségével, amely a szennyezőanyagok valódi növekedésére reagál, és képes kiküszöbölni a szobába belépő vagy a kanapén elhelyezkedő személy átmeneti hatását.

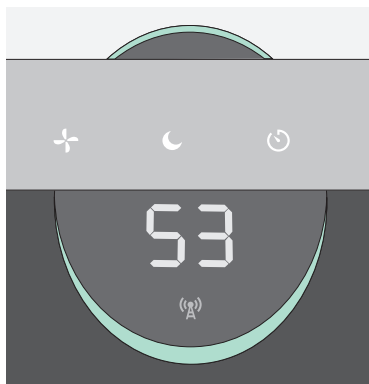
A megvilágított kijelző színnel jelzi, hogy a levegő minősége jó, közepes vagy rossz, és számmal is pontosítja a minőség értékét.

AUTO üzemmódban a légtisztító a levegőminőségi adatok alapján automatikusan beállítja a ventilátor sebességét.

JÓ
KÉK | 0 - 50



KÖZEPES
SÁRGA | 50 - 100



ROSSZ
PIROS | 100 - 500



MŰSZAKI ADATOK

Levegő bemeneti nyílása	360°
Teljes levegőcsere óránként kétszer	70 m ²
Levegőszállítás módja	PureDirect™
Érzékelő	SensorPod™, a légtisztítótól max. 15 méterig
Ventilátorsebességek	Whisper, 1, 2, 3, Turbo
Tisztítási szintek	mosható előszűrő, aktívszén-szűrő, HEPA-szűrő, UV-C lámpa
Időzítő	2, 4, 8, 12 óra
Szűrőcsere-jelzők	Carbon, HEPA, UV
Zaj	32 - 66 dB
Méret	263 x 263 x 726 mm
Súly	5,7 kg
Motor típusa	DC-motor
Tápellátás	220-240v 50/60Hz 0,5A
Teljesítményfelvétel	68 W
Garancia	2 év

Csereszűrők és csere UV-C lámpa

3-in-1 HEPA-dobszűrő	2415110
Aktívszén-szűrő (3 szűrőt tartalmazó csomag)	2415109
UV-C lámpa	2415111

ÁPOLÁS ÉS KARBANTARTÁS

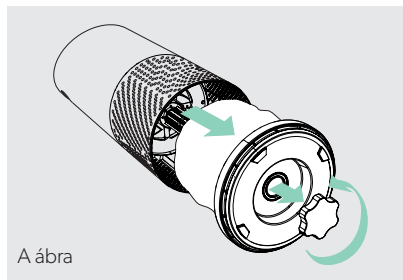
Hozzáférés a szűrőkamrához

1. Mindig kapcsolja ki a légtisztítót a bekapcsológomb megnyomásával és a hálózati csatlakozódugó kihúzásával.
2. Óvatosan fektesse az egységet az oldalára a padlón úgy, hogy a szűrőkamra fedele és a rögzítőgomb látható legyen.
3. Forgassa el a rögzítőgombot balra, vegye le a szűrőkamra fedelét és húzza ki a 360°-os HEPA-dobszűrőt (A ábra).

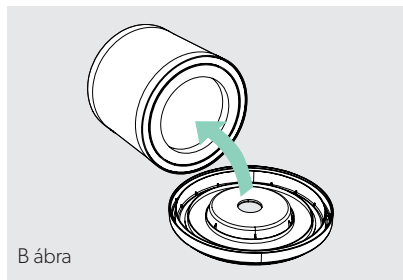
HEPA-SZŰRŐ CSERÉJE

1. A HEPA-jelző pirosan világít, amikor a teljes HEPA-dobszűrő cseréjére szorul.
2. Óvatosan húzza le a HEPA-dobszűrőt a szűrőfedélről (B ábra).
3. Rögzítse a csere HEPA-szűrőt a szűrőfedélen (C ábra).
4. Óvatosan helyezze vissza a szűrőfedelet és a dobszűrőt a szűrőkamrába és a menetre, és forgassa el a rögzítőgombot jobbra, amíg a gomb és a szűrőfedél megfelelően nem rögzül (D ábra).
5. Dugja be a hálózati csatlakozódugót és kapcsolja be a légtisztítót. Ezután tartsa lenyomva a Reset gombot, amíg a HEPA-szűrő piros jelzőfénye ki nem alszik.

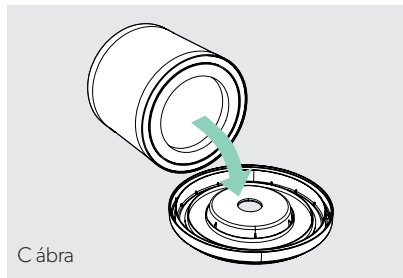
Megjegyzés: A HEPA-dobszűrő (lásd 284. oldal) 3 réteget tartalmaz: mosható előszűrő, aktívszén-szűrő és HEPA-szűrő réteget.



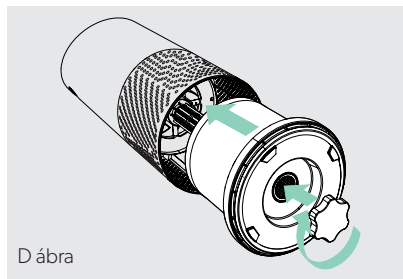
A ábra



B ábra



C ábra



D ábra

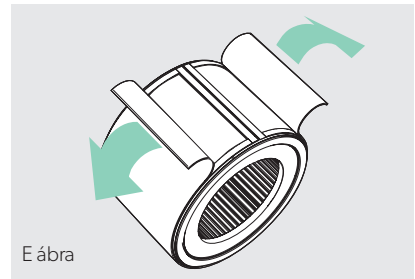
AKTÍVSZÉNSZŰRŐ CSERÉJE

1. A szénSzűrő Carbon jelzőfénye pirosan világít, amikor a szénréteg cseréjére szorul.
2. Óvatosan húzza le az előszűrőt a rögzítőcsíkokról (E ábra).
3. Óvatosan húzza le a használt szénréteget a rögzítőcsíkokról (E ábra).
4. Hajtsz rá egy új szénréteget a szűrődobra, és rögzítse ugyanazokhoz a rögzítőcsíkokhoz (G ábra).
5. Hajtsz rá az előszűrőt a szénrétegre, és rögzítse a rögzítőcsíkokhoz (H ábra).
6. A légtisztító bekapcsolása után tartsa lenyomva a Reset gombot, amíg a szénSzűrő piros jelzőfénye ki nem alszik.

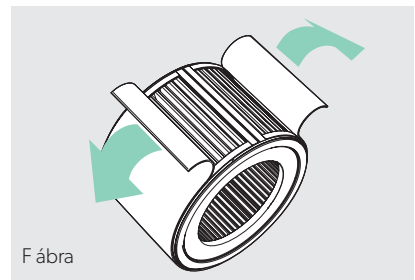
Megjegyzés: a 3 aktívszénSzűrőt tartalmazó csomag (lásd 284. oldal) elegendő a HEPA-dobszűrő cseréjéig szükséges 3 szénSzűrőcseréhez (lásd 285. oldal).

AZ ELŐSZŰRŐ MOSÁSA

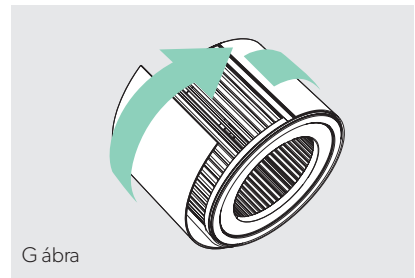
1. Javasoljuk, hogy havonta szemrevételezéssel ellenőrizze az előszűrőt, és szükség esetén tisztítsa meg. Ha addig nem tette, akkor az aktívszénSzűrő cseréjekor mossa meg az előszűrőt.
2. Óvatosan húzza le a mosható előszűrőt a rögzítőcsíkokról (E ábra).
3. Óvatosan öblítse le folyó vízzel – hagyja a levegőn megszáradni az előszűrőt, mielőtt visszahelyezné.
4. Hajtsz rá az előszűrőt a szűrődobra, és rögzítse a rögzítőcsíkokhoz (H ábra).



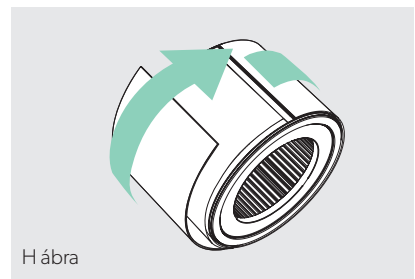
E ábra



F ábra




G ábra

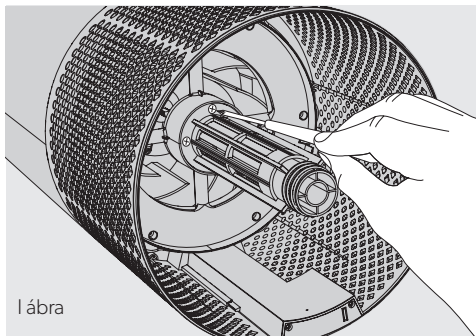


H ábra

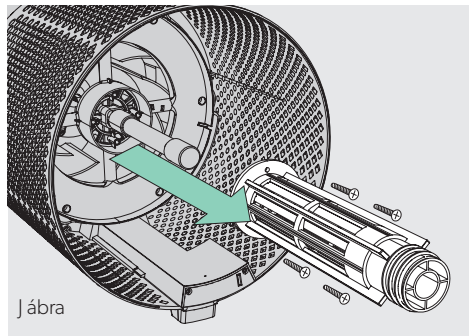
AZ UV-C LÁMPA CSERÉJE

1. A  jelzőfény pirosan világít, amikor az UV-C lámpa cserére szorul.
2. Vegye ki a HEPA-szűrődobot (A ábra), és csavarhúzóval csavarozza ki az UV-C lámpa házát rögzítő 4 csavart (I ábra).
3. Óvatosan vegye ki az UV-C lámpa házát (J ábra).
4. Húzza ki az UV-C lámpát a légtisztító csatlakozójából (K ábra).
5. A csere UV-C lámpát (lásd 284. oldal) dugja be ugyanabba a csatlakozójzatba (L ábra).
6. Az UV-C lámpa házát tegye vissza a helyére, és csavarhúzóval húzza meg a rögzítőcsavarokat.
7. A légtisztító bekapcsolása után tartsa lenyomva a Reset gombot, amíg a jelzőfény fehér színű nem lesz.

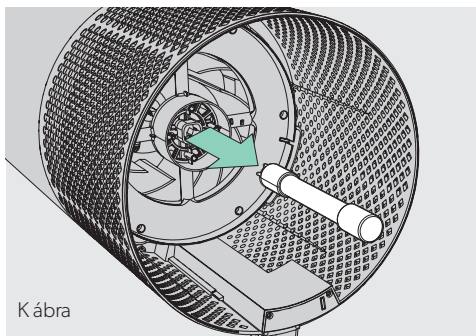
Megjegyzés: Az UV-C sugárzó cseréje után kérje a helyi WEEE gyűjtőberendezést.



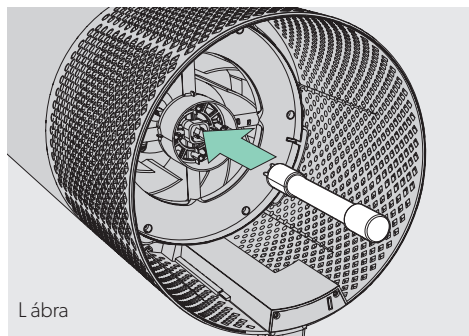
I ábra



J ábra



K ábra



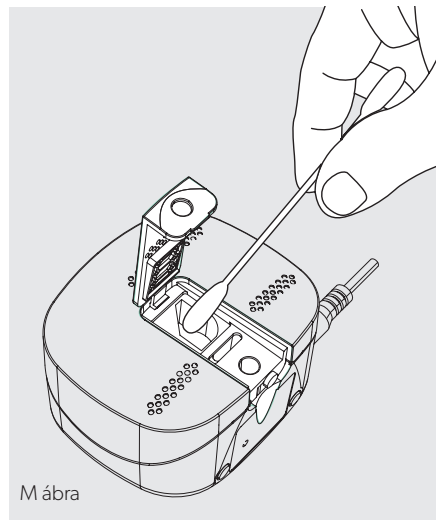
L ábra

A SENSORPOD™ TISZTÍTÁSA

A levegőminőség-érzékelő tisztítása

A SensorPod™ infravörös fényt használ a részecskék észlelésére, ezért fontos, hogy 1-2 havonta megtisztítsa a porérzékelő kamrát és eltávolítson minden olyan port vagy részecskét, amely befolyásolhatja az érzékelő működésének pontosságát.

1. A hálózati csatlakozót kihúzva kapcsolja ki a SensorPod egységet.
2. 90°-os szögben hajtsa fel a készülék elején található nyílásfedelelet.
3. Megnedvesített fültisztító pálcikával törölje le a lencsét és a porérzékelő szívóterületét (M ábra).
4. Száraz fültisztító pálcikával törölje le a maradék nedvességet.
5. Hajtsa vissza a fedelet és csúsztassa a helyére, amíg egy kattantást nem hall.



M ábra

GYIK ÉS HIBAEELHÁRÍTÁS

<p>Hová helyezzem a SensorPod™ egységet?</p>	<p>Bárhová a helyiségben, ahol mérni szeretné a levegő minőségét.</p> <p>Az optimális eredmény elérése érdekében a SensorPod™ egységet 15 méteres távolságon belül helyezze egy vízszintes felületre vagy asztalra, a légtisztító látóterében. Auto üzemmódban a légtisztító addig fúj tisztított levegőt a szoba légterébe, amíg a SensorPod™ elfogadhatónak nem érzékeli a levegő minőségét.</p>
<p>Milyen gyakran kell cserélnem a szűrőket?</p>	<p>Ez egyszerű! A légtisztító cserejelzői jelzik, ha a szénzsűrő vagy a HEPA-szűrő vagy az UV-C lámpa cserére szorul.</p> <p>Az aktívzsénzsűrőt általában 3-4 havonta, a HEPA-szűrőt 12-15 havonta, az UV-C lámpát pedig 1-3 évente szokás cserélni.</p>
<p>Milyen gyakran mossam ki az előszűrőt?</p>	<p>Az előszűrő a nagyobb részecskéket köti le, és óvja a többi szűrő hatékonyságát, ezért azt javasoljuk, hogy havonta szemrevételezéssel ellenőrizze az előszűrőt, és szükség esetén mossa meg. Mindenképpen érdemes megmosni az előszűrőt, amikor kicseréli a szénzsűrőt.</p>
<p>Milyen gyakran tisztítsam a porérzékelőt a SensorPod egységben?</p>	<p>A levegőminőség pontos mérése érdekében javasoljuk, hogy 1-2 havonta tisztítsa meg a porérzékelő felületét.</p>
<p>A légtisztító nem kapcsol be.</p>	<p>Ellenőrizze, hogy a hálózati csatlakozókábel a fali aljzathoz és a légtisztítóhoz is megfelelően csatlakozik-e. Egy lámpával vagy másik eszközzel ellenőrizze, hogy van-e áram az aljzatban.</p> <p>Ellenőrizze, hogy a HEPA-szűrő megfelelően van-e behelyezve a szűrőkamrába.</p> <p>Ha a probléma továbbra is fennáll, akkor forduljon hozzánk! (291. oldal).</p>

GYIK ÉS HIBAEELHÁRÍTÁS

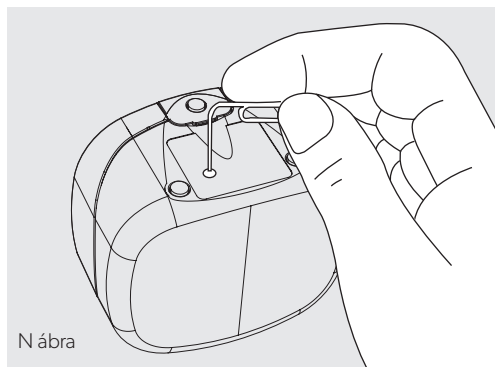
<p>A légtisztító nem lép be az Auto üzemmódba.</p> <p>vagy</p> <p>A levegőminőség kijelzője nem világít.</p> <p>vagy</p> <p>A légtisztítón az érzékelő jelzőfénye villog.</p>	<p>Először ellenőrizze, hogy a SensorPod csatlakoztatva van-e a hálózati aljzathoz és folyamatosan világít-e a jelzőfénye.</p> <p>Ezután ellenőrizze, hogy az SensorPod a légtisztító hatósugarán belül van-e (max. 15 m).</p> <p>Ha mindkét feltétel teljesül, de a kapcsolat továbbra sem működik, akkor olvassa el az SensorPod kapcsolódásának helyreállítására vonatkozó alábbi útmutatót.</p>
<p>Elvesztettem a SensorPod egységemet!</p>	<p>Ne aggódjon! Forduljon ügyfélszolgálatunkhoz, és rendeljen egy csere SensorPod egységet. A csereként kapott SensorPod egység és a meglévő légtisztító párosításához kövesse az alábbi egyszerű lépéseket!</p>

A SensorPod™ és a légtisztító párosítása

A SensorPod rádiófrekvenciás jelekkel kommunikál a légtisztítóval, és a gyártásnál már megtörténik a párosítás, ezért használatra készen áll a kicsomagolás után. Abban a ritka esetben, ha a jelátvitel megszakad, a légtisztítón az érzékelő jelzőfénye villogni kezd. A kapcsolat néhány egyszerű lépéssel helyreállítható.

1. Húzza ki a SensorPod hálózati csatlakozódugóját.
2. Három másodpercig **TARTSA LENYOMVA** a légtisztító bekapcsológombját – ekkor két hangjelzést hall.
3. Dugja be a SensorPod hálózati csatlakozódugóját, és egy kiegyenesített gemkapoccsal 5-7 másodpercig **TARTSA LENYOMVA** a SensorPod alján található párosítógombot (N ábra).

4. A kapcsolat akkor jön létre, amikor villogás nélkül ég a légtisztítón az érzékelő jelzőfénye, és kigyullad a levegőminőség kijelzője.



N ábra

GARANCIA

A termék működéséért rendeltetésszerű használat esetén a vásárlás dátumától számítva két év jótállást vállalunk. A jótállási időszak alatt az ACCO – saját belátása szerint – díjmentesen megjavítja vagy kicseréli a meghibásodott gépet. A jótállás nem vonatkozik a helytelen vagy nem rendeltetésszerű használat miatt fellépő hibákra. A jótállás igénybevételéhez be kell mutatni a vásárlás dátumát igazoló dokumentumot. Ha az ACCO által nem feljogosított személy javítást vagy átalakítást végez a gépen, az érvényteleníti a garanciát. Mindent megteszünk annak érdekében, hogy termékeink a műszaki adatoknál leírtaknak megfelelő teljesítményt nyújtsák. A jelen jótállás nem befolyásolja azokat a törvényes jogokat, amelyekkel ügyfeleink az áruértékesítésre vonatkozó nemzeti jogszabályok szerint rendelkeznek.

TÁMOGATÁS

Köszönjük, hogy a TruSens™ készüléket választotta. Fontosnak tartjuk, hogy ügyfeleinknek olyan termékeket tervezzünk, amelyek maximálisan megfelelnek életmódjuk igényeinek. Forduljon hozzánk bizalommal, ha bármilyen kérdése vagy visszajelzése lenne!

Látogassa meg webhelyünket: www.leitz.com/trusens

Írjon e-mailt: service.hu@acco.com

Hívjon telefonon: **06 800 20886**

Hogy regisztrálja és aktiválja a jótállást, lépjen ide www.leitz.com/register

TruSens™

Witamy w strefie czystego powietrza z TruSens. Dziękujemy za umożliwienie nam udziału w dążeniu do zdrowia i dobrego samopoczucia.

Powietrze, którym oddychasz powinno być czyste, gdziekolwiek się znajdziesz w pomieszczeniu. TruSens SensorPod™, technologia PureDirect™ oraz filtracja 360° zapewniają czystsze powietrze w całym pomieszczeniu.

INFORMACJE DOTYCZĄCE BEZPIECZEŃSTWA

PRZECZYTAJ I ZACHOWAJ TE INSTRUKCJE

Przed wymianą filtrów lub lampy UV-C oraz kiedy urządzenie nie jest używane, należy je wyłączyć z gniazdka lub sieci.



UWAGA: Aby ograniczyć ryzyko pożaru i porażenia prądem, nie używać oczyszczacza powietrza z półprzewodnikowym regulatorem prędkości.

Nie należy używać oczyszczacza powietrza, jeśli uszkodzony jest przewód zasilający lub wtyczka albo gniazdko w ścianie jest obluzowane. Aby zapobiec zagrożeniu, w przypadku uszkodzenia przewodu zasilającego wymiana przewodu musi zostać dokonana przez producenta, autoryzowany punkt serwisowy lub odpowiednio wykwalifikowane osoby. Nie układać przewodu pod wykładzinami, dywanami, bieżnikami ani innymi podobnymi nakryciami. Nie układać przewodu pod meblami ani urządzeniami. Należy ułożyć przewód poza trasę ruchu, w miejscu, gdzie nie grozi potknięciem.



UWAGA: Patrzenie bezpośrednio na światło wytwarzane przez lampę UV-C w tym sprężenie grozi uszkodzeniem skóry lub wzroku. Nieodpowiednie użytkowanie urządzenia lub uszkodzenie obudowy może spowodować uwalnianie niebezpiecznego promieniowania UV-C. Promieniowanie UV-C, nawet w małych dawkach, może powodować uszkodzenia wzroku i skóry. Przed wymianą lampy lub czynnościami konserwacyjnymi należy zawsze wyłączać urządzenie z sieci. Części zamienne do wymiany lampy UV-C to produkt nr 2415108 (do Z-2000) lub 2415111 (do Z-3000) wytwarzane przez ACCO Brands.

- Przed użyciem należy usunąć wszystkie elementy opakowania, w tym również worek osłaniający filtr.
- Jeżeli urządzenie jest wyraźnie uszkodzone, nie należy go użytkować.
- Urządzenie należy podłączać tylko do gniazdka elektrycznego odpowiadającego rodzajowi wtyczki oraz wartościom podanym na tabliczce znamionowej.
- Oczyszczacz powietrza należy ustawić w pobliżu gniazdka elektrycznego i nie używać przedłużaczy.
- Urządzenie może być używane przez dzieci w wieku od lat 8 i powyżej oraz przez osoby o ograniczonej sprawności fizycznej, sensorycznej bądź umysłowej lub nieposiadające odpowiedniego doświadczenia i wiedzy, pod warunkiem, że są one pod nadzorem lub zostały poinstruowane w zakresie bezpiecznego użytkowania urządzenia i rozumieją związane z tym zagrożenia.
- Nie wolno zezwalać, aby dzieci bawiły się tym urządzeniem, czyściły je lub próbowały wykonywać czynności konserwacyjne.
- Wymieniając lampę UV-C, należy ją zastąpić modelem wskazanym w niniejszej instrukcji obsługi.
- Nie należy podejmować prób przeglądu technicznego ani napraw produktu we własnym zakresie.
- Oczyszczacz i SensorPod™ muszą być używane wyłącznie z zapewnionym przewodem zasilającym.
- Urządzenie należy czyścić tylko wilgotną ściereczką; nie używać rozpuszczalników ani wybielaczy.
- Przed każdym uruchomieniem upewnić się, że urządzenie znajduje się na stabilnej, równej powierzchni.
- Nie blokować ani nie zasłaniać otworów wlotu i wylotu powietrza.
- Nie wkładać palców ani innych przedmiotów do otworów wlotu i wylotu powietrza.

Częstotliwość robocza

Bezprzewodowo: 2462 MHz

Maksymalna moc nadawania (EIRP)

Bezprzewodowo: 0 dBm

Zysk anteny

Bezprzewodowo: 2 Dbi

ACCO UK Ltd niniejszym oświadcza, że urządzenia radiowe: oczyszczacze powietrza Leitz TruSens Z-2000/Z-3000 spełniają wymagania Dyrektywy 2014/53/UE.

Pełny tekst deklaracji zgodności UE jest dostępny pod następującym adresem internetowym:

<https://declarations.accobrands.com/>

Zgodnie z wymogami dotyczącymi narażenia na częstotliwości radiowe, należy zachowywać odstęp co najmniej 0,2 m pomiędzy ciałem użytkownika a urządzeniem.

Zużyty sprzęt elektryczny i elektroniczny (WEEE)

Po utracie przydatności użytkowej produkt ten będzie klasyfikowany jako zużyty sprzęt elektryczny i elektroniczny (WEEE). W związku z tym należy mieć na uwadze, co następuje:

Zużytych urządzeń elektrycznych i elektronicznych nie należy wyrzucać jako nieposortowanych odpadów komunalnych. Podlegają one selektywnej zbiórce w celu przekazania do demontażu, co umożliwi recykling, ponowne użycie oraz odzysk (jako paliwo do odzyskiwania energii w procesie wytwarzania elektryczności) ich części składowych i materiałów.

Samorząd y lokalne ustanowiły publiczne punkty zbiórki zużytego sprzętu elektrycznego i elektronicznego, dostępne nieodpłatnie dla konsumentów.

Prosimy o zwrócenie sprzętu WEEE do punktu zbiórki położonego najbliżej domu lub biura.

W przypadku trudności ze znalezieniem punktu zbiórki sprzęt WEEE powinien przyjąć punkt sprzedaży detalicznej, który sprzedał dany produkt.

W przypadku braku kontaktu z punktem sprzedaży detalicznej prosimy o skontaktowanie się z firmą ACCO w celu uzyskania pomocy w tej sprawie.

Recykling WEEE jest ukierunkowany na ochronę środowiska naturalnego, ochronę zdrowia ludzkiego, zachowanie surowców, promowanie zrównoważonego rozwoju oraz zapewnianie lepszych dostaw towarów w Unii Europejskiej. Cele te będą osiąganę poprzez odzyskiwanie cennych surowców wtórnych oraz ograniczanie ilości odpadów. Zwracając zużyty sprzęt elektryczny i elektroniczny do punktu zbiórki, użytkownicy przyczyniają się do realizacji tych celów. Produkt jest oznaczony symbolem WEEE (kubek na śmieci przekreślony znakiem X). Symbol ten informuje, że zużytego sprzętu elektrycznego i elektronicznego nie należy usuwać jako nieposortowanych odpadów komunalnych.

Oczyszczacze powietrza Leitz TruSens są również wyposażone w emiter UV-C. Po wymianie tego elementu (w okresie użytkowania produktu) należy je również zwrócić i zutylizować w lokalnym punkcie zbiórki ZSEE.

Dalsze informacje i instrukcje instalacji / wideo dla emitera UV-C można znaleźć na stronie www.leitz.com

NAJWAŻNIEJSZE FUNKCJE



SensorPod™

Zdalny monitor jakości powietrza, który zapewnia czyste powietrze dokładnie tam, gdzie to potrzebne.



Technologia PureDirect™

Niezależne badania laboratoryjne potwierdzają, że dwa strumienie powietrza są lepsze niż jeden: rozprawdają powietrze w pomieszczeniu skutecznie i bardziej komfortowo.



Informowanie i dostosowywanie

Krążek z barwną sygnalizacją świetlną zapewnia dodatkowe informacje wskazując jakość powietrza w czasie rzeczywistym.



Oczyszczanie 360°

Filtr HEPA wychwytuje zanieczyszczenia i gazy/ zapachy lotnych związków organicznych (VOC) z wszystkich stron. Promieniowanie UV-C zabija zarazki i bakterie, które mogą utykać w filtrze.

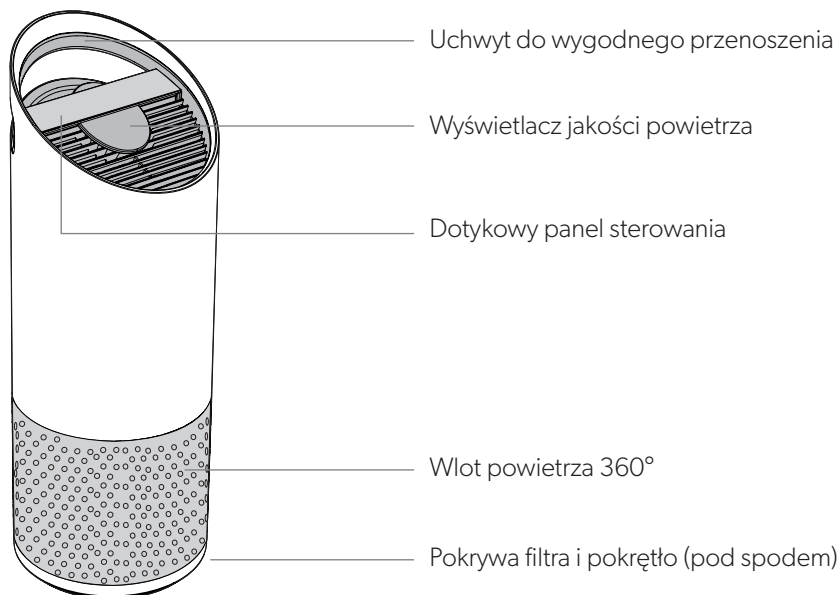


Przemysłane wykonanie

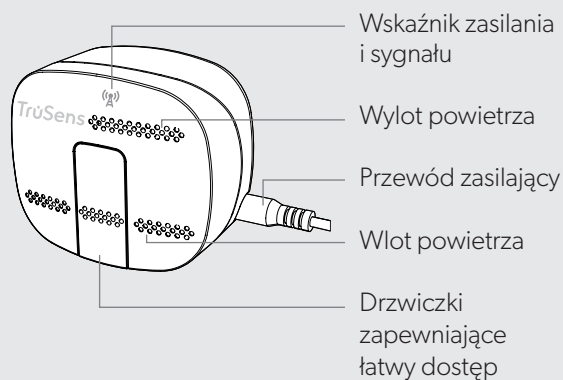
Wyjątkowa funkcjonalność opakowana w nowoczesną formę, która pasuje do każdego otoczenia.

OPIS PRODUKTU

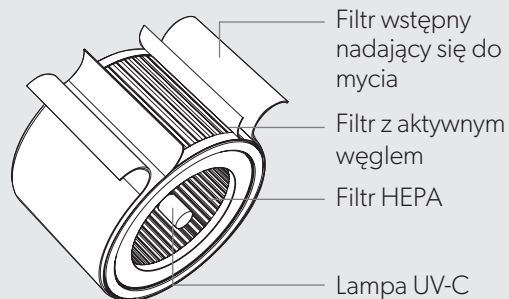
Oczyszczacz powietrza



SensorPod™



Filtr i lampa UV-C

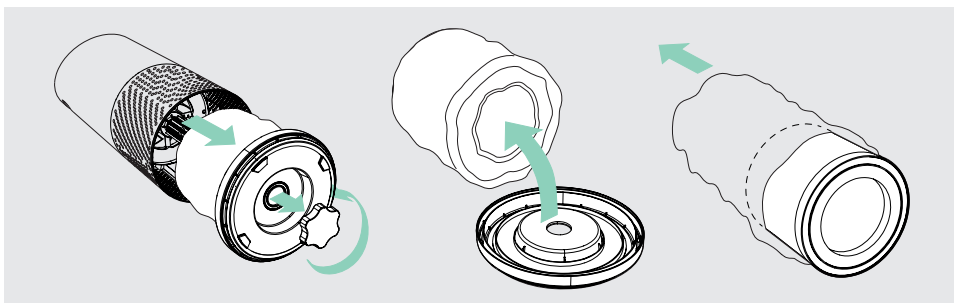


PIERWSZE KROKI



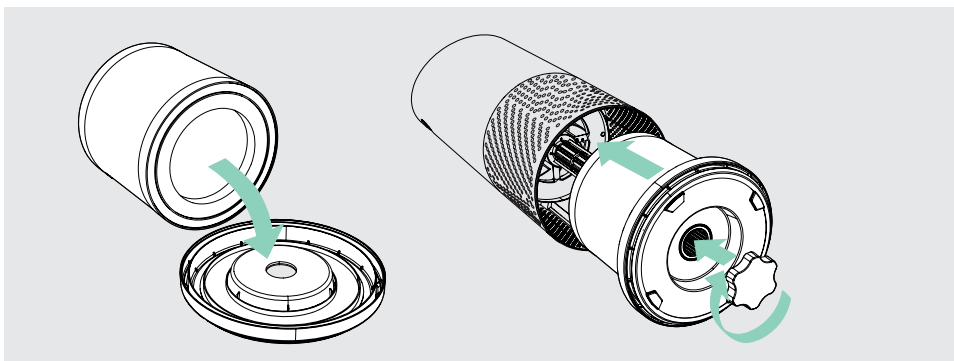
1. Wyjąć filtr z plastikowego worka.

Odkręcić spodnią pokrywę i zdjąć z filtra plastikowy worek.



2. Umieścić filtr z powrotem.

Umocować filtr na spodniej pokrywie i umieścić z powrotem w oczyszczaczu.



3. Przygotowanie

Podłączyć SensorPod do zasilania.

Ustawić SensorPod pionowo na stole lub blacie po przeciwnej stronie pomieszczenia, w zasięgu wzroku od oczyszczacza.

Podłączyć oczyszczacz do zasilania i włączyć.

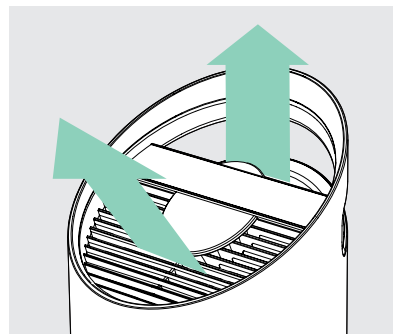
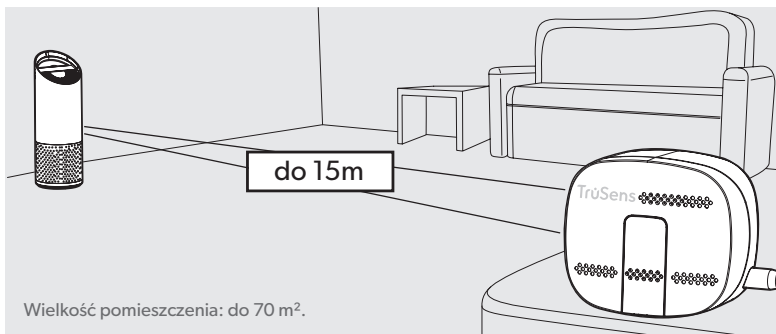
Umieścić oczyszczacz na płaskiej powierzchni, z dala od przeszkód

- w miejscu, gdzie powietrze może swobodnie wpływać do oczyszczacza z wszystkich stron
- unikając elementów wystroju takich jak pościel i zasłony, a także źródeł ciepła i wilgoci.

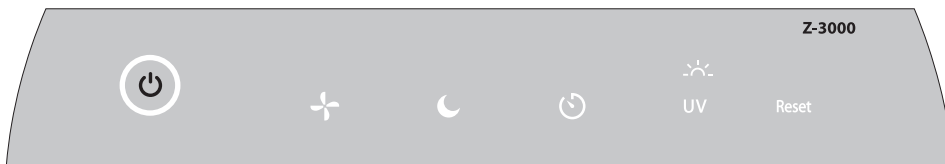
Moc sygnału może być zmienna zależnie od lokalizacji. W rzadkich przypadkach braku działania patrz str. 307.

4. Zaczynj oddychać czystiejszym powietrzem!

Oczyszczacz powietrza automatycznie dostosowuje prędkość wentylatora zależnie od pomiarów jakości powietrza zapewnianych przez SensorPod, a wyjątkowa technologia PureDirect™ rozprowadza oczyszczone powietrze po całym pomieszczeniu!



PANEL STEROWANIA



Przycisk zasilania



Ustawienia prędkości wentylatora

Wybieranie prędkości wentylatora lub tryb AUTO. W trybie AUTO oczyszczacz powietrza automatycznie dostosowuje prędkość wentylatora zależnie od pomiarów jakości powietrza zapewnianych przez SensorPod.

(Tryb AUTO jest dostępny tylko wtedy, gdy oczyszczacz powietrza ma połączenie z SensorPod i odbiera sygnał.)



Tryb nocny

Wyłączenie światła wyświetlacza - do stosowania w czasie snu - bez utraty skuteczności oczyszczacza powietrza.

Aby przywrócić wszystkie funkcje wyświetlacza, wystarczy ponownie nacisnąć przycisk.




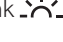
Wyłącznik czasowy

Automatyczne wyłączenie oczyszczacza powietrza po 2, 4, 8 lub 12 godzinach.

Aby anulować odliczanie czasu, należy naciskać przycisk dotąd, aż ustawienie wyłącznika nie będzie wyświetlane.



Tryb UV

Lampa UV-C w komorze filtra działa, gdy znak  jest biały. Kiedy trzeba wymienić lampę UV-C, znak  świeci się na czerwono.

(Patrz instrukcje na stronie 304).

Reset

Resetowanie wskaźników wymiany filtrów i lampy UV-C

Wskaźniki „HEPA”, „Carbon” i „UV” świecą na czerwono, gdy trzeba wymienić dany element. Gdy świeci się 1 wskaźnik, wystarczy przytrzymać przycisk Reset przez 3 sekundy, aby zresetować dany wskaźnik. Gdy świecą się 2 lub więcej wskaźników, należy naciskać przycisk Reset, aby wybrać odpowiedni wskaźnik (wybrany wskaźnik zamigocze), po czym przytrzymać przez 3 sekundy, aby zresetować ten wskaźnik.

(Instrukcje wymiany są podane na str. 302-304. Powyższe instrukcje resetowania wskaźników należy stosować po wymianie filtra).

WYŚWIETLACZ JAKOŚCI POWIETRZA

Informacje w czasie rzeczywistym

Rewolucyjny SensorPod™ ocenia jakość powietrza dokonując pomiarów cząstek stałych zarówno małych (PM 2,5), jak i większych (PM 10). Oblicza ogólną jakość powietrza za pomocą specjalnego algorytmu, który reaguje na rzeczywisty wzrost zanieczyszczeń bez nadmiernego reagowania, gdy ktoś wejdzie do pomieszczenia lub usiądzie na kanapie.

Wyświetlacz z barwną sygnalizacją świetlną wskazuje dobrą, umiarkowaną lub złą jakość powietrza, a wartość liczbową zapewnia bardziej szczegółowe dane.

W trybie AUTO oczyszczacz powietrza automatycznie dostosowuje prędkość wentylatora w odpowiedzi na te pomiary jakości powietrza.

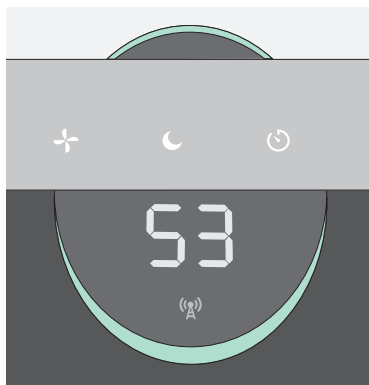
DOBRE

NIEBIESKI | 0 - 50



UMIARKOWANE

ŻÓŁTY | 50 - 100



ZŁE

CZERWONY | 100 - 500



DANE TECHNICZNE

Wlot powietrza	360°
Wymiana powietrza 2 razy na godzinę	70 m ²
Typ dostarczania powietrza	PureDirect™
Czujnik	SensorPod™, działa w odległości do 15 m od oczyszczacza powietrza
Ustawienia prędkości wentylatora	Whisper, 1, 2, 3, Turbo
Poziomy oczyszczania	filtr wstępny nadający się do mycia, filtr z aktywnym węglem, filtr HEPA, lampa UV-C
Ustawienia wyłącznika czasowego	2, 4, 8, 12 godzin
Wskaźniki wymiany filtrów	Carbon, HEPA, UV
Poziom hałasu	32 - 66 dB
Wymiary	263 x 263 x 726 mm
Waga	5,7 kg
Rodzaj silnika	silnik prądu stałego (DC)
Zasilanie	220-240v 50/60Hz 0,5A
Zużycie energii	68 W
Gwarancja	2 lata

Zamienne filtry i lampa UV-C

Cylindryczny filtr HEPA 3-w-1	2415110
Filtr z aktywnym węglem (opakowanie 3 szt.)	2415109
Lampa UV-C	2415111

KONSERWACJA

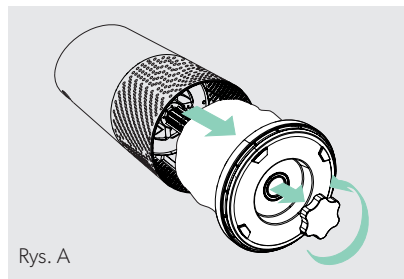
Dostęp do komory filtra

1. Należy zawsze wyłączyć najpierw oczyszczacz powietrza naciskając przycisk zasilania i wyjmując wtyczkę.
2. Położyć delikatnie urządzenie na boku na podłodze, aby odsłonić pokrywę komory filtra i pokrętko.
3. Obrócić pokrętkę w lewo, zdjąć pokrywę komory filtra i wyjąć cylindryczny filtr HEPA 360° (rys. A).

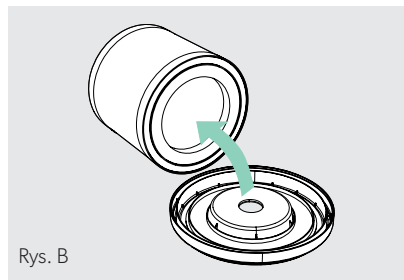
WYMIANA FILTRA HEPA

1. Gdy trzeba wymienić cały cylindryczny filtr HEPA, zaświeci się na czerwono wskaźnik HEPA.
2. Należy delikatnie wysunąć cylindryczny filtr HEPA z miejsca, gdzie jest przymocowany do pokrywy filtra (rys. B).
3. Przymocować nowy filtr HEPA do pokrywy filtra (rys. C).
4. Delikatnie umieścić pokrywę filtra i cylindryczny filtr z powrotem w komorze filtra i wsunąć w wyżłobienia, po czym obrócić pokrętkę w prawo, aż pokrętko i pokrywa filtra zostaną bezpiecznie zamocowane (rys. D).
5. Podłączyć oczyszczacz powietrza do zasilania i włączyć, po czym przytrzymać przycisk Reset do chwili, aż czerwony wskaźnik HEPA zgaśnie.

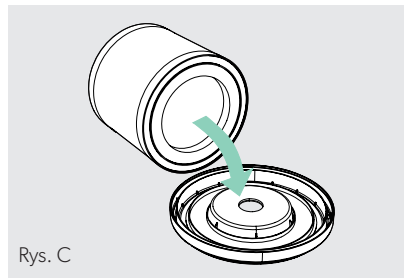
Uwaga: Cylindryczny filtr HEPA (patrz str. 301) zawiera 3 warstwy: Filtr wstępny nadający się do mycia, filtr z aktywnym węglem i filtr HEPA.



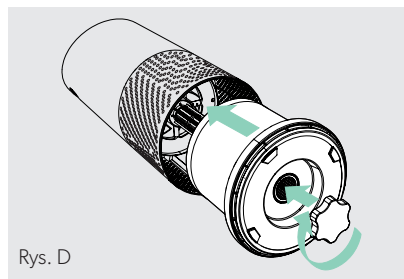
Rys. A



Rys. B



Rys. C



Rys. D

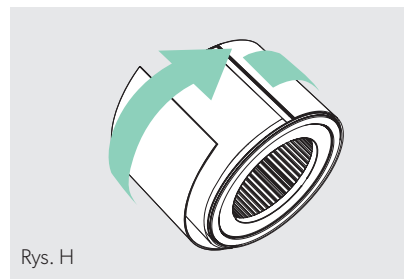
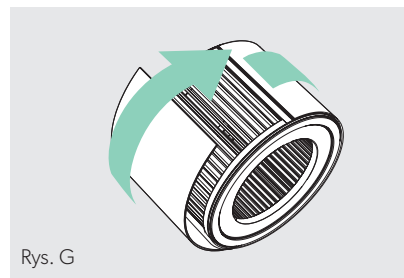
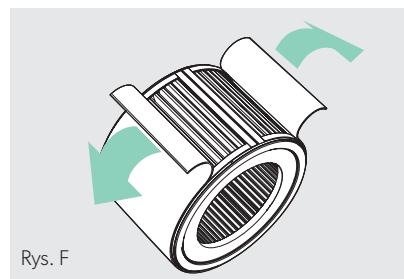
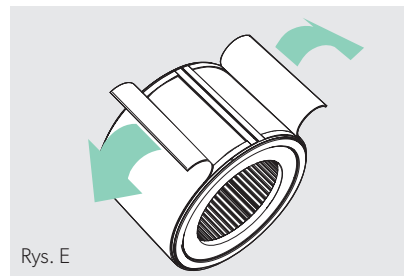
WYMIANA FILTRA WSTĘPNEGO Z AKTYWNYM WĘGLEM

1. Gdy trzeba wymienić warstwę węglową, zaświeci się na czerwono wskaźnik filtra węglowego (Carbon).
2. Należy delikatnie oddzielić filtr wstępny od pasków mocujących (rys. E).
3. Delikatnie oddzielić zużytą warstwę węglową od pasków mocujących (rys. F).
4. Owinąć nową warstwę węglową dookoła cylindra filtra i przymocować do tych samych pasków mocujących (rys. G).
5. Owinąć filtr wstępny dookoła warstwy węglowej i przymocować do pasków mocujących (rys. H).
6. Po włączeniu oczyszczacza powietrza przytrzymać przycisk Reset do chwili, aż czerwony wskaźnik Carbon zgaśnie.



Uwaga: potrójne opakowanie filtrów z aktywnym węglem (patrz str. 301) wystarczy na 3 zmiany filtra węglowego wymagane pomiędzy zmianami cylindrycznego filtra HEPA (patrz str. 302).

MYCIE FILTRA WSTĘPNEGO

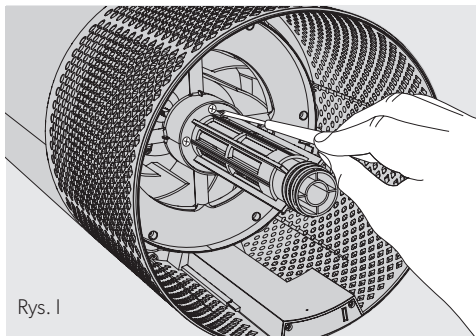
1. Zalecamy co miesiąc sprawdzać wzrokowo filtr wstępny i myć go, kiedy to potrzebne. Jako minimum, powinno się prać ręcznie filtr wstępny przy każdej wymianie filtra węglowego.
2. Delikatnie oddzielić filtr wstępny od pasków mocujących (rys. E).
3. Delikatnie płukać pod bieżącą wodą - pozostawić filtr wstępny do wyschnięcia przed ponownym zamocowaniem.
4. Owinąć filtr wstępny wokół cylindra filtra i przymocować do pasków mocujących (rys. H).



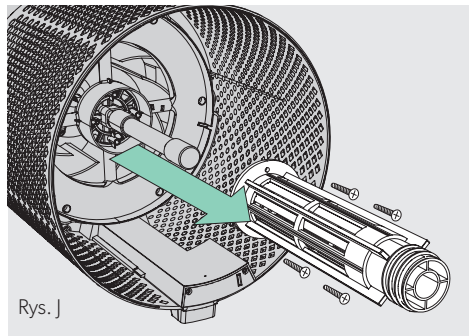
WYMIANA LAMPY UV-C

1. Kiedy trzeba wymienić lampę UV-C, wskaźnik  świeci się na czerwono.
2. Wyjął filtr cylindryczny HEPA (rys. A) i za pomocą śrubokręta wykręcić 4 śruby mocujące obudowę lampy UV-C (rys. I).
3. Delikatnie zdjąć obudowę lampy UV-C (rys. J).
4. Wyłączyć lampę UV-C z gniazda w oczyszczaczu (rys. K).
5. Nową lampę UV-C (patrz str. 301) należy podłączyć bezpośrednio do tego samego gniazda (rys. L).
6. Założyć z powrotem obudowę lampy UV-C i wkręcić śruby przy pomocy śrubokręta.
7. Po włączeniu oczyszczacza powietrza przytrzymać przycisk Reset do chwili, aż  wskaźnik zmieni się na biały.

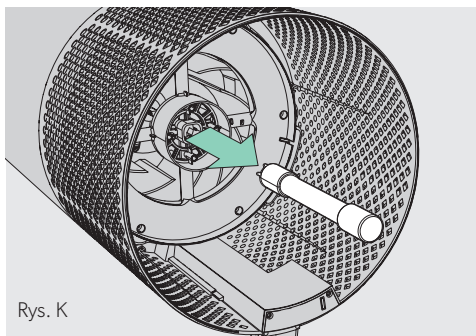
Uwaga: Po wymianie emitera UV-C należy go zutylizować w lokalnym punkcie zbiórki WEEE.



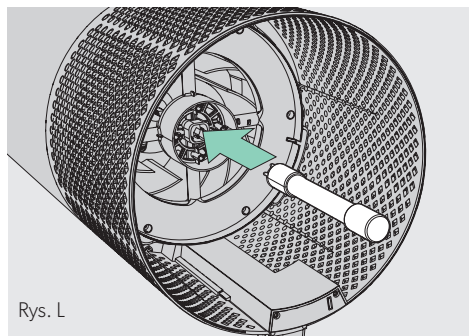
Rys. I



Rys. J



Rys. K



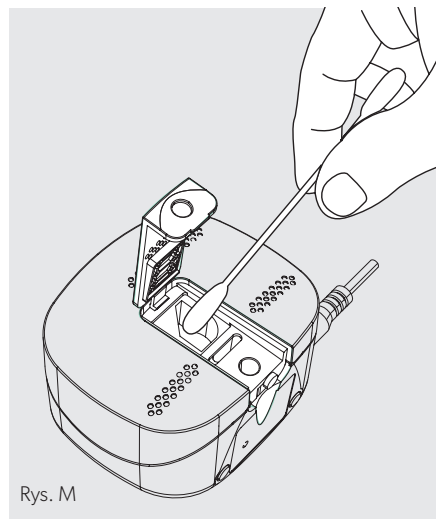
Rys. L

CZYSZCZENIE CZUJNIKA SENSORPOD™

Czyszczenie czujnika jakości powietrza

SensorPod™ wykorzystuje podczerwień do wykrywania cząstek stałych, dlatego ważne jest, aby czyścić komorę czujnika kurzu co 1 - 2 miesiące w celu usuwania kurzu i cząsteczek mogących zaburzać dokładność pomiarów czujnika.

1. Wyłączyć SensorPod odłączając przewód od zasilania.
2. Otworzyć drzwiczki z przodu urządzenia podnosząc je pod kątem 90°.
3. Wilgotnym patyczkiem kosmetycznym przetrzeć soczewkę i obszar wlotu czujnika kurzu (rys. M).
4. Suchym patyczkiem kosmetycznym wytrzeć resztki wilgoci.
5. Zamknąć pokrywę obniżając ją i wsuwając na miejsce, aż kliknie.



CZĘSTO ZADAWANE PYTANIA I ROZWIĄZYWANIE PROBLEMÓW

<p>Gdzie należy umieścić SensorPod™?</p>	<p>Gdziekolwiek tam, gdzie chcesz mierzyć jakość powietrza w pomieszczeniu!</p> <p>Aby uzyskać optymalne wyniki, należy ustawić SensorPod™ w odległości do 15 m od oczyszczacza powietrza na blacie lub stole, w zasięgu wzroku od oczyszczacza. W trybie Auto oczyszczacz powietrza rozprowadza czyste powietrze do chwili, gdy SensorPod™ wykryje dopuszczalny poziom jakości powietrza.</p>
<p>Jak często należy wymieniać filtry?</p>	<p>To proste! Wbudowane w oczyszczaczu powietrza wskaźniki sygnalizują, kiedy trzeba wymienić filtr węglowy, filtr HEPA lub lampę UV-C.</p> <p>Filtr z aktywnym węglem wymaga wymiany co 3 - 4 miesiące, filtr HEPA co 12 - 15 miesięcy, a lampa UV-C co 1 - 3 lata.</p>
<p>Jak często należy myć filtr wstępny?</p>	<p>Filtr wstępny wychwytuje większe cząstki i chroni skuteczność pozostałych filtrów, dlatego też zalecamy sprawdzać wzrokowo filtr wstępny co miesiąc i myć go, kiedy to potrzebne. Innym dobrym nawykiem jest mycie filtra wstępnego za każdym razem przy wymianie filtra węglowego.</p>
<p>Jak często należy czyścić czujnik kurzu w SensorPod?</p>	<p>Aby zapewnić jak najdokładniejsze pomiary jakości powietrza, zalecamy czyścić powierzchnię czujnika kurzu co 1 - 2 miesiące.</p>
<p>Oczyszczacz powietrza się nie włącza.</p>	<p>Sprawdź, czy przewód zasilający jest prawidłowo podłączony do gniazdka elektrycznego i do oczyszczacza. Sprawdź, czy w gniazdku jest zasilanie włączając światło w pobliżu lub podłączając inne, sprawne urządzenie do tego samego gniazdka.</p> <p>Sprawdź, czy filtr HEPA jest prawidłowo umieszczony w komorze filtra.</p> <p>Jeżeli problem trwa nadal, prosimy o skontaktowanie się z nami! (str. 308).</p>

CZĘSTO ZADAWANE PYTANIA I ROZWIĄZYWANIE PROBLEMÓW

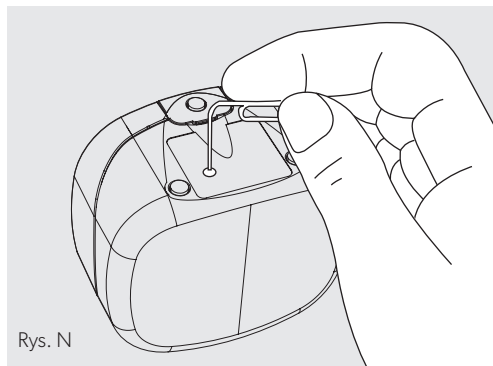
<p>Nie udaje się włączyć trybu Auto. lub</p> <p>Wskaźniki jakości powietrza są wyłączone. lub</p> <p>Miga wskaźnik sygnału czujnika na oczyszczaczu powietrza.</p>	<p>Przede wszystkim należy sprawdzić, czy SensorPod jest podłączony do zasilania i jego kontrolka świeci światłem stałym.</p> <p>Następnie sprawdzić, czy SensorPod jest w dopuszczalnej odległości od oczyszczacza (do 15 m).</p> <p>Jeżeli oba te warunki są spełnione, a nadal nie ma połączenia, patrz poniższe instrukcje ponownego nawiązania połączenia z SensorPod.</p>
<p>Straciłem SensorPod!</p>	<p>Nie ma powodu do zmartwień! Możesz się skontaktować z zespołem obsługi klienta i zamówić nowy SensorPod. Zastosuj poniższe proste instrukcje, aby sparować nowy SensorPod z obecnym oczyszczaczem powietrza!</p>

Parowanie oczyszczacza powietrza z SensorPod™

SensorPod komunikuje się z oczyszczaczem powietrza za pomocą sygnałów częstotliwości radiowej i zostaje sparowany na linii produkcyjnej, tak więc jest gotowy do użycia prosto z pudełka. W rzadkich przypadkach zakłócenia sygnału, wskaźnik czujnika na oczyszczaczu powietrza zacznie migać. Można naprawić połączenie stosując kilka prostych kroków.

1. Odłączyć SensorPod od zasilania.
2. PRZYTRZYMAĆ przycisk zasilania na oczyszczaczu powietrza przez 3 sekundy, po czym powinny zabrzmieć dwa brzęknięcia.
3. Podłączyć SensorPod do zasilania i za pomocą przedmiotu z wąską końcówką (spinacz biurowy) nacisnąć i PRZYTRZYMAĆ przycisk parowania na spodzie SensorPod przez 5 - 7 sekund (rys. N).

4. Połączenie jest nawiązane, gdy wskaźnik czujnika na oczyszczaczu świeci bez migania i wskaźniki jakości powietrza są włączone.



Rys. N

GWARANCJA

Urządzenie jest objęte gwarancją eksploatacyjną ważną przez okres 2 lat od daty zakupu, przy założeniu normalnego użytkowania. W okresie gwarancyjnym firma ACCO zobowiązuje się, według swojego uznania, bezpłatnie naprawić lub wymienić wadliwe urządzenie. Gwarancja nie obejmuje uszkodzeń spowodowanych nieprawidłowym użytkowaniem lub wykorzystywaniem urządzenia do celów, do których nie jest przeznaczone. Aby skorzystać z gwarancji, należy przedstawić dowód zakupu. Dokonanie napraw lub modyfikacji urządzenia przez osoby nieupoważnione do tego przez firmę ACCO spowoduje unieważnienie gwarancji. Dążymy do tego, aby nasze produkty działały zgodnie ze specyfikacją. Niniejsza gwarancja nie ogranicza przysługujących konsumentom praw wynikających z przepisów obowiązujących w danym kraju i dotyczących warunków sprzedaży towarów.

WSPARCIE

Dziękujemy za przyjęcie TruSens™ do swojego domu. Nasi klienci stanowią centrum naszej działalności i dokładamy wszelkich starań, aby projektować produkty odpowiadające ich stylowi życia. W razie jakichkolwiek pytań lub uwag, prosimy o kontakt!

Nasza strona internetowa: www.leitz.com/trusens

Nasz adres e-mail: serwis@acco.com

Nasz nr telefonu: [+48228743978](tel:+48228743978)

Aby zarejestrować i aktywować gwarancję, przejdź do www.leitz.com/register

TruSens™

Bucurați-vă de aer curat cu TruSens. Vă mulțumim pentru că ne permiteți să vă însoțim pe drumul către starea de bine.

Aerul pe care îl respirați ar trebui să fie curat, indiferent de unde anume vă aflați în încăpere. TruSens, prin monitorul său SensorPod™, tehnologia PureDirect™ și sistemul de filtrare 360 de grade, face aerul din întreaga încăpere mai curat.

INFORMAȚII DE SIGURANȚĂ

CITIȚI ȘI PĂSTRAȚI ACESTE INSTRUCȚIUNI

Deconectați sau scoateți aparatul din priză înainte de a înlocui filtrele sau emițătorul UV-C, sau atunci când acesta nu este în uz. use.



AVERTISMENT! Pentru a reduce pericolul de incendiu sau șoc electric, nu utilizați acest purificator de aer cu un dispozitiv de control al vitezei tranzistorizat.

Nu utilizați purificatorul de aer dacă cablul de alimentare sau ștecărul este deteriorat, sau dacă priza de perete nu este bine fixată. Pentru a evita un eventual risc, dacă cablul de alimentare este deteriorat, acesta trebuie înlocuit de producător, de agentul de service al acestuia, sau de persoane cu calificarea necesară.

Nu treceți cablul pe sub mochete, covoare, preșuri sau alte articole similare. Nu treceți cablul pe sub mobilă sau aparate. Amplasați cablul la distanță de locurile pe unde se circulă frecvent, pentru a evita pericolul de împiedicare.



AVERTISMENT! Vizualizarea directă a luminii produse de emițătorul UV-C din acest aparat poate cauza lezarea pielii sau a ochilor. Utilizarea incorectă a aparatului sau deteriorarea carcasei acestuia poate cauza emisia de radiație UV-C periculoasă. Radiația UV-C, chiar și în doze mici, poate leza ochii și pielea. Deconectați întotdeauna de la rețeaua de alimentare înainte de a schimba becul sau executa service-ul. Înlocuiți emițătorul UV-C cu produsul 2415108 (pentru Z-2000), sau 2415111 (pentru Z-3000), fabricate de ACCO Brands.

- Înainte de utilizare, îndepărtați toate ambalajele, inclusiv punga care acoperă filtrul.
- Nu utilizați aparate deteriorate în mod vizibil.
- Acest aparat trebuie conectat numai la o priză de perete care corespunde cu tipul de ștecăr furnizat și cu puterea nominală precizată pe plăcuța indicatoare.
- Amplasați purificatorul de aer lângă priza de perete, și nu utilizați prelungitoare.
- Acest aparat poate fi utilizat de copii care au împlinit vârsta de 8 ani, și de persoane cu deficiențe fizice, senzoriale sau mintale, sau fără experiența și cunoștințele necesare, cu condiția să fi beneficiat de supraveghere sau de instrucțiunile necesare pentru a putea utiliza aparatul în condiții de siguranță, și să fi înțelese pericolurile asociate acestei utilizări.
- Nu lăsați copiii să se joace cu acest aparat, să îl curețe, sau să încerce să execute service-ul.
- Înlocuiți emițătorul UV-C cu modelul specificat în acest manual.
- Nu încercați să executați service-ul sau să reparați singur acest produs.
- Utilizați purificatorul și SensorPod™ numai cu cablul de alimentare furnizat.
- Curățați acest aparat numai cu o cârpă umedă; nu folosiți solvenți sau înălbitor.
- Înainte de utilizare, verificați ca aparatul să fie amplasat pe o suprafață tare, fără denivelări.
- Nu blocați, și nu obstrucționați, orificiile de intrare și ieșire a aerului.
- Nu vă introduceți degetele sau alte obiecte în orificiile de intrare și ieșire a aerului.
- Când purificatorul de aer este în modul Așteptare, SensorPod™ continuă să transmită un semnal/date.

Frecvență de funcționare

Wireless: 2462 MHz

Putere maximă de transmisie

(EIRP) Wireless: 0 dBm

Câștigul antenei

Wireless: 2 Dbi

Prin prezenta, ACCO UK Ltd declară că modelele de echipamente radio Leitz TruSens Air Purifier Z-2000/Z-3000 respectă cerințele Directivei 2014/53/UE.

Textul complet al declarației de conformitate UE poate fi consultat la următoarea adresă de internet <https://declarations.accobrands.com/>

Pentru a respecta cerințele RF privind expunerea, se va păstra o distanță de separare minimă de 20 cm între corpul utilizatorului și dispozitiv.

Deșeuri de echipamente electrice și electronice (DEEE)

La finalul duratei sale de viață utilă, produsul dumneavoastră este considerat a fi DEEE. Ca urmare, este important să rețineți că DEEE nu pot fi eliminate ca deșeuri municipale nesortate. Aparatul trebuie colectat separat pentru a putea fi demontat, în așa fel încât componentele și materialele lui să poată fi reciclate, reutilizate sau valorificate (ca combustibil pentru valorificarea energetică în producția de energie electrică).

Autoritățile municipale au înființat puncte de colectare publice a DEEE, care sunt gratuite pentru dumneavoastră.

Vă rugăm să returnați DEEE la centrul de colectare cel mai apropiat de casă sau birou.

Dacă nu reușiți să găsiți un centru de colectare, comerciantul care v-a vândut produsul ar trebui să vă accepte DEEE.

Dacă nu mai țineți legătura cu comerciantul, vă rugăm să contactați ACCO pentru a vă ajuta în această chestiune.

Reciclarea DEEE este orientată spre protejarea mediului, protejarea sănătății umane, conservarea materiilor prime, îmbunătățirea dezvoltării durabile, și asigurarea unei mai bune aprovizionări cu produse în Uniunea Europeană. Toate acestea se vor realiza prin recuperarea materiilor prime secundare valoroase și reducerea volumului de deșeuri eliminate. Puteți contribui la realizarea acestor obiective returnând DEEE la un centru de colectare.

Produsul dumneavoastră este marcat cu simbolul DEEE (pobelă cu roți barată cu două linii în formă de „X”). Acest simbol vă informează că DEEE nu poate fi eliminat ca deșeu municipal nesortat.

Purificatoarele de aer Leitz TruSens sunt de asemenea echipate cu un emițător UV-C. La înlocuirea acestui articol (pe durata de viață a produsului), acestea trebuie, de asemenea, returnate și aruncate la unitatea locală de colectare DEEE.

Informații suplimentare și ghiduri / videoclipuri de instalare pentru emițătorul UV-C pot fi găsite pe site-ul www.leitz.com

FUNCȚIILE PRINCIPALE



Monitor SensorPod™

Monitor de calitate a aerului la distanță care asigură un aer mai curat, exact acolo unde aveți nevoie de el.



Tehnologie PureDirect™

Testarea în laboratoare independente confirmă faptul că două fluxuri de aer sunt mai bune decât unul singur, dispersând aerul în încăperea mai eficient, fără a afecta confortul persoanelor aflate în aceasta.



Informează și adaptează

Ecranul în formă de disc iluminat, codificat cromatic, furnizează informații adiționale comunicând valorile calității aerului în timp real.



Purificare la 360°

Filtrul HEPA captează poluanții și emisiile/mirosurile de compuși organici volatili din toate direcțiile. Razele UV-C distrug germenii și bacteriile prinse în filtru.

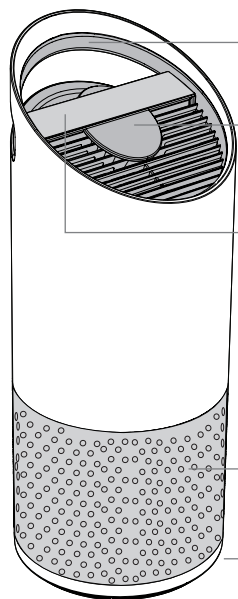


Execuție bine-gândită

Funcționalitate de excepție într-un design contemporan, care se potrivește în orice mediu.

PREZENTAREA GENERALĂ A PRODUSULUI

Purificator
de aer



Mâner pentru manipularea ușoară

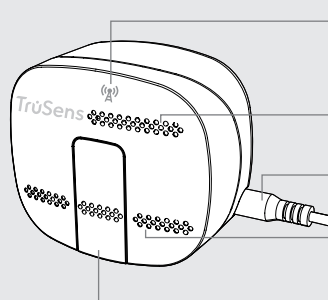
Afișajul pentru valorile calității aerului

Panou de comandă tactil

Orificii de intrare a aerului dispuse circular

Capacul și butonul filtrului (dedesubt)

Monitorul SensorPod™



Indicator de alimentare și semnal

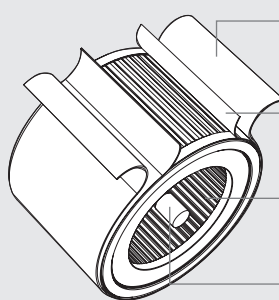
Ieșirea aerului

Cablu de alimentare

Intrarea aerului

Capac de acces rapid

Filtru și lampă UV-C



Prefiltru lavabil

Filtru cu carbon activ

Filtru HEPA

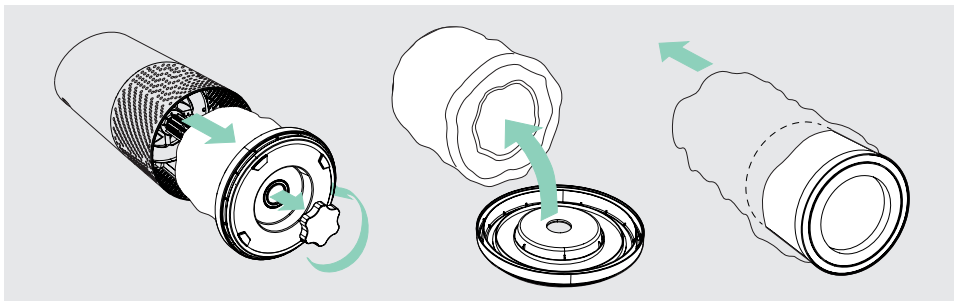
Lampă UV-C

PRIMII PAȘI



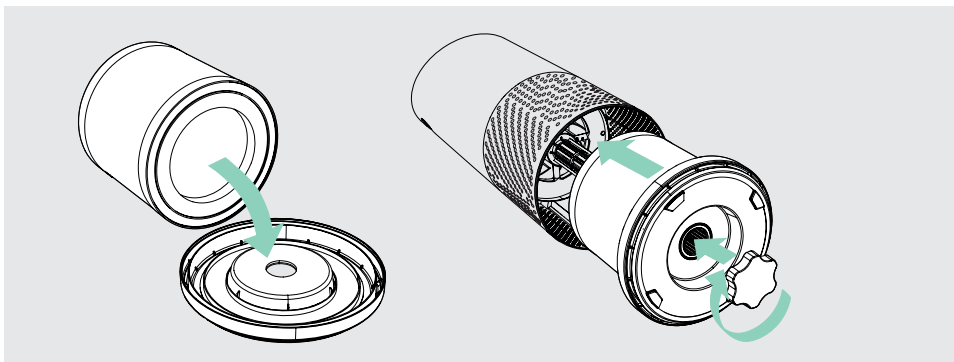
1. Scoateți punga de plastic de pe filtru

Deșurubați capacul din partea de jos și scoateți punga de plastic de pe filtru.



2. Puneți filtrul înapoi

Fixați filtrul pe capacul din partea de jos și reintroduceți-l în purificator.



3. Configurare

Conectați monitorul SensorPod.

Așezați monitorul SensorPod în poziție verticală, pe o masă sau suprafață de lucru aflată în linia de vizare a purificatorului.

Conectați purificatorul la rețeaua electrică și porniți-l.

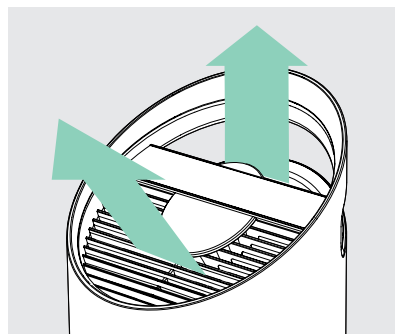
Puneți purificatorul pe o suprafață plană, fără obstrucții:

- unde aerul poate circula liber, intrând în purificator din toate părțile;
- la distanță de decorațiuni de genul lenjerie de pat sau draperii, și de asemenea de surse de căldură și umezeală.

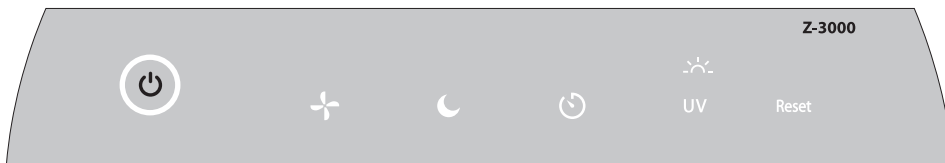
Puterea semnalului poate varia în funcție de amplasare. Dacă cumva, ceea ce se întâmplă foarte rar, semnalul este întrerupt, consultați pagina 324.

4. Bucurați-vă de aer mai curat!

Purificatorul va ajusta automat viteza ventilatorului în funcție de valorile calității aerului transmise de SensorPod, iar tehnologia unică PureDirect™ va dispersa aer purificat în întreaga încăpere.



PANOUL DE COMANDĂ



Buton de alimentare



Setările vitezei ventilatorului

Selectați viteza ventilatorului sau modul AUTO.

În modul AUTO, purificatorul ajustează automat viteza ventilatorului în funcție de valorile calității aerului transmise de SensorPod.

(Modul AUTO este disponibil doar atunci când purificatorul este asociat cu SensorPod și recepționează un semnal.)



Modul Noapte

Afișajul iluminat se stinge în timp ce dormiți fără ca acest lucru să afecteze eficacitatea purificatorului. Pentru a ilumina afișajul, tot ce trebuie să faceți este să apăsați butonul din nou.




Modul Cronometru

Purificatorul se va opri automat după 2, 4, 8 sau 12 ore. Pentru a anula această numărătoare inversă, tot ce trebuie să faceți este să apăsați butonul până când nu mai este afișată nicio setare Cronometru.



Modul UV

Lampa UV-C din compartimentul filtrului purificatorului este aprins când simbolul  este alb.

Când simbolul  va fi iluminat în roșu, este timpul să schimbați lampa UV-C.

(Vedeți pagina 321 pentru instrucțiuni.)

Reset

Resetarea indicatoarelor filtrelor și becului UV

Indicatoarele „HEPA”, „Carbon” și „UV” vor fi iluminate în roșu atunci când unul dintre filtre sau lampa trebuie schimbate.

Pentru a reseta 1 indicator iluminat, tot ce trebuie să faceți este să țineți butonul Resetare apăsat timp de 3 secunde.

Când 2 sau mai multe indicatoare sunt iluminate, atingeți butonul Resetare pentru a selecta indicatorul relevant (indicatorul selectat va clipi), și apoi țineți-l apăsat timp de 3 secunde pentru a-l reseta.

(Vedeți paginile 319-321 pentru instrucțiuni de schimbare. După schimbarea unui filtru, urmați instrucțiunile de resetare a indicatoarelor de mai sus.)

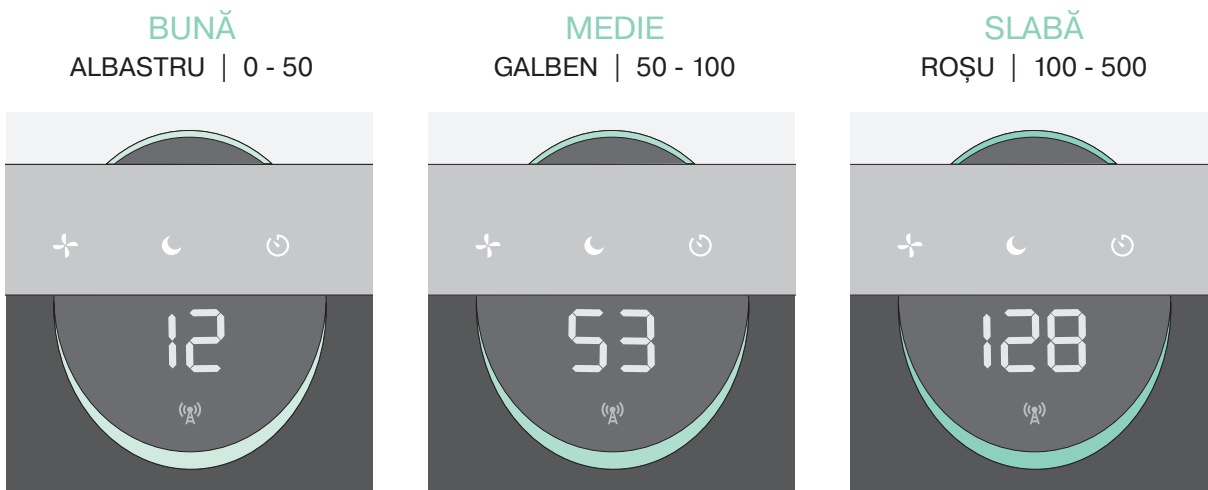
AFIȘAJUL PENTRU VALORILE CALITĂȚII AERULUI

Feedback în timp real

Revoluționarul SensorPod™ evaluează starea aerului, măsurând atât particulele mici (PM 2,5), cât și cele mai mari (PM 10). El calculează calitatea de ansamblu a aerului folosind un algoritm unic care reacționează la creșterile reale de poluanți, fără a reacționa în mod exagerat atunci când cineva intră în încăpere sau se așază pe canapea.

Afișajul iluminat, codificat cromatic, indică dacă calitatea aerului este bună, medie sau slabă, în timp ce o valoare numerică oferă detalii adiționale.

În modul AUTO, purificatorul ajustează în mod automat viteza ventilatorului ca răspuns la aceste valori ale calității aerului.



TruSens folosește Indicele de Calitate a Aerului (1-500) creat de către Agenția de Protecție a Mediului din SUA (EPA).

SPECIFICAȚII

Intrarea aerului	360°
Aerul este schimbat de 2 ori pe oră	70 m ²
Tipul de dispersare a aerului	PureDirect™
Senzor	SensorPod™, funcționează la o distanță de până la 15 m de purificator
Setările vitezei ventilatorului	Whisper (Silențios), 1, 2, Turbo
Niveluri de purificare	Prefiltru lavabil, filtru cu carbon activ, filtru HEPA, lampă UV-C
Setări Cronometru	2, 4, 8, 12 ore
Indicatoare de schimbare a filtrelor și becului UV	Carbon, HEPA, UV
Zgomot	32 - 66 dB
Dimensiuni	263 x 263 x 726 mm
Greutate	5,7 kg
Tipul motorului	motor DC
Cerințe de alimentare	220-240v 50/60Hz 0,5A
Consum electric	68 W
Garanție	2 ani

Filtre și lampă UV-C de schimb

Filtru HEPA cilindric 3-în-1	2415110
Filtru cu carbon activ (pachet cu 3 filtre)	2415109
Lampă UV-C	2415111

ÎNGRIJIRE ȘI ÎNTREȚINERE

Accesarea compartimentului filtrului

1. Opriți purificatorul întotdeauna prin apăsarea butonului de alimentare și deconectarea cablului de alimentare.
2. Așezați purificatorul cu grijă în poziție laterală pe podea pentru a putea accesa capacul și butonul compartimentului filtrului.
3. Răsuciți butonul în direcție inversă acelor de ceasornic și scoateți capacul compartimentului filtrului și filtrul HEPA cilindric 360° (Fig. A).

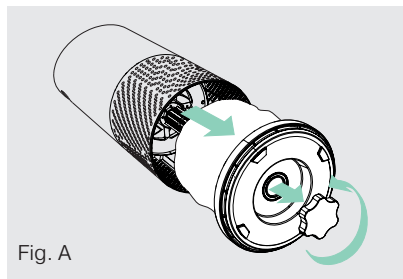


Fig. A

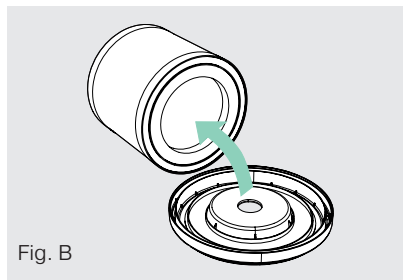


Fig. B

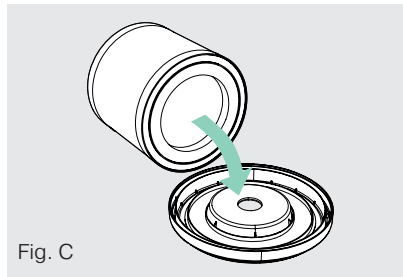


Fig. C

SCHIMBAREA FILTRULUI HEPA

1. Indicatorul HEPA va fi iluminat în roșu atunci când trebuie să schimbați întregul filtru HEPA cilindric.
2. Trageți cu grijă filtrul HEPA cilindric din locașul său de pe capacul filtrului (Fig. B).
3. Fixați filtrul HEPA de schimb pe capacul filtrului (Fig. C).
4. Introduceți cu grijă capacul filtrului cu filtrul cilindric fixat în locașul său în compartimentul filtrului și pe filet, și răsuciți butonul în sensul acelor de ceasornic până când acesta și capacul filtrului sunt bine strânse (Fig. D).
5. Conectați și porniți purificatorul, și țineți butonul de resetare apăsat până când indicatorul HEPA roșu se stinge.

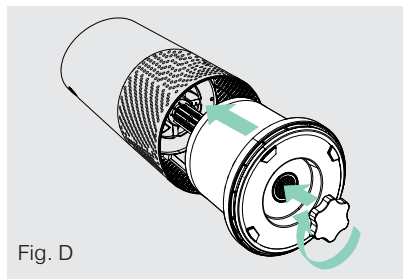


Fig. D

Notă: Filtrul HEPA cilindric (vedeți pagina 318) va include 3 straturi: prefiltru lavabil, filtru cu carbon activ și filtru HEPA.

SCHIMBAREA FILTRULUI CU CARBON ACTIV

1. Indicatorul filtrului cu carbon va fi iluminat în roșu atunci când trebuie să schimbați acest filtru.
2. Dezlipiți cu grijă prefiltrul de pe benzile adezive (Fig. E).
3. Dezlipiți cu grijă filtrul cu carbon uzat de pe benzile adezive (Fig. F).
4. Înfășurați un filtru cu carbon nou de jur împrejurul filtrului cilindric și fixați-l cu ajutorul benzilor adezive (Fig. G).
5. Înfășurați prefiltrul de jur împrejurul filtrului cu carbon și fixați-l cu ajutorul benzilor adezive (Fig. H).
6. După ce ați conectat și pornit purificatorul, țineți butonul de resetare apăsat până când indicatorul roșu al filtrului cu carbon se stinge.

Notă: pachetul cu 3 filtre cu carbon activ (vedeți pagina 318) va fi suficient pentru cele 3 schimbări ale filtrului cu carbon necesare între fiecare schimbare a filtrului HEPA cilindric (vedeți pagina 319).

SPĂLAREA PREFILTRULUI

1. Vă recomandăm ca lunar să examinați vizual prefiltrul, și să îl spălați ori de câte ori este necesar. Ca cerință minimă, trebuie să spălați prefiltrul manual de fiecare dată când schimbați filtrul cu carbon activ.
2. Dezlipiți cu grijă prefiltrul lavabil de pe benzile adezive (Fig. E).
3. Clătiți cu grijă cu apă de la robinet – lăsați prefiltrul să se usuce la aer înainte de a-l reinstala.
4. Înfășurați prefiltrul de jur împrejurul filtrului cilindric și fixați-l cu ajutorul benzilor adezive (Fig. H).

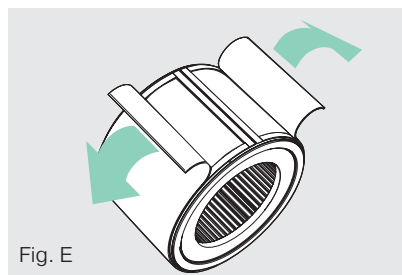


Fig. E

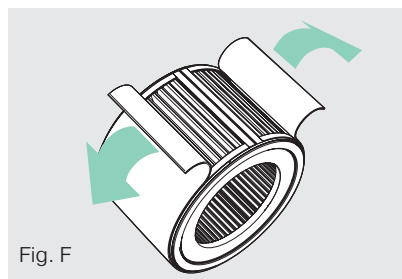


Fig. F

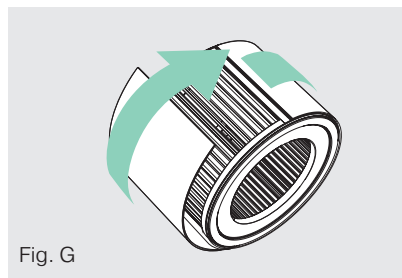


Fig. G

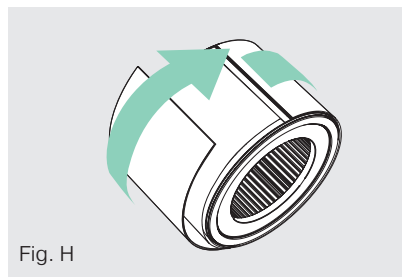



Fig. H

SCHIMBAREA LĂMPII UV-C

1. Indicatorul  va fi iluminat în roșu atunci când trebuie să schimbați lampa UV-C.
2. Scoateți filtrul HEPA cilindric (Fig. A), și folosiți o șurubelniță pentru a scoate cele 4 șuruburi de fixare a carcasei becului UV (Fig. I).
3. Scoateți cu grijă carcasa becului UV (Fig. J).
4. Scoateți lampa UV-C din dulia din interiorul purificatorului (Fig. K).
5. Introduceți noua lampă UV-C (vedeți pagina 318) direct în aceeași dulie (Fig. L).
6. Puneți carcasa becului UV înapoi la locul ei și folosiți o șurubelniță pentru a strânge șuruburile de fixare.
7. După ce ați conectat și pornit purificatorul, țineți butonul de resetare apăsat până când indicatorul devine alb.

Notă: Eliminați emițătorul UV-C înlocuit la un centru local de colectare a DEEE.

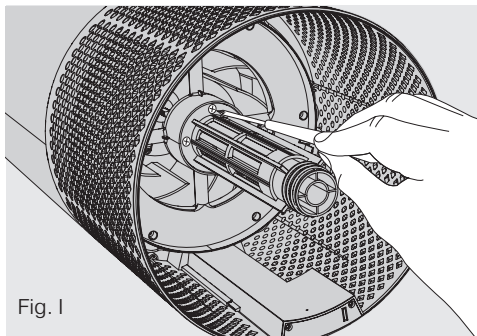


Fig. I

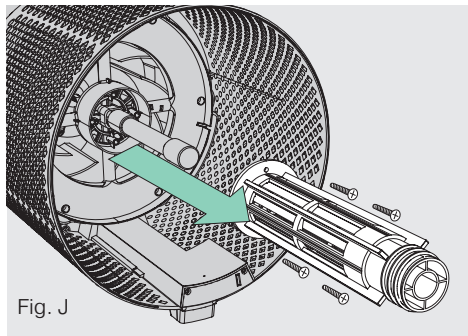


Fig. J

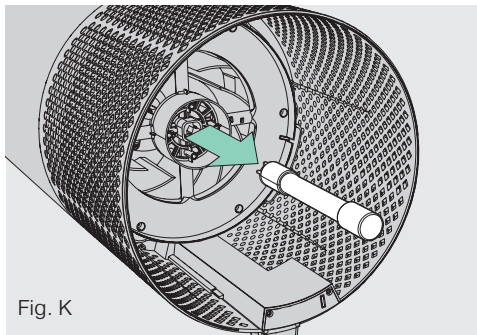


Fig. K

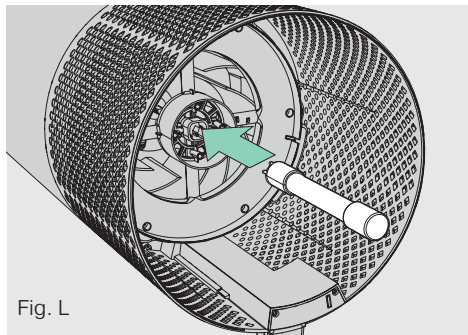


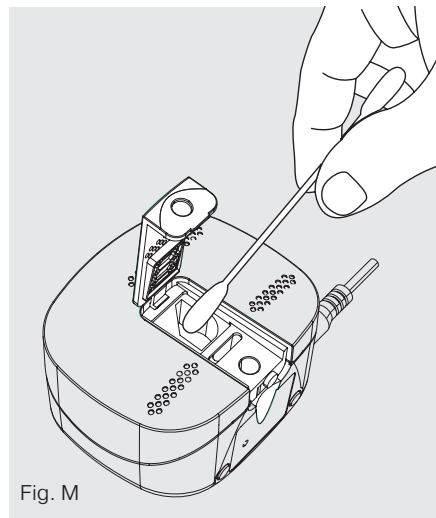
Fig. L

CURĂȚAREA MONITORULUI SENSORPOD™

Curățarea senzorului de calitate a aerului

SensorPod™ folosește o lampă cu infraroșu pentru detectarea particulelor, și din acest motiv este important să curățați locașul senzorului de praf la intervale de 1-2 luni pentru a îndepărta praful sau particulele care ar putea afecta acuratețea valorilor măsurate de senzor.

1. Deconectați cablul de alimentare pentru a opri monitorul SensorPod.
2. Deschideți capacul de acces rapid din partea din față ridicându-l astfel încât să formeze un unghi de 90 de grade.
3. Folosiți un bețișor cu vată umezit pentru a șterge lentila și suprafața interioară a senzorului de praf (Fig. M).
4. Folosiți un bețișor cu vată uscat pentru a îndepărta orice urme de umezeală.
5. Închideți capacul coborându-l și apăsând până când auziți un clic.



ÎNTREBĂRI FRECVENTE ȘI REMEDIEREA PROBLEMELOR

<p>Unde să așez monitorul SensorPod™?</p>	<p>Oriunde doriți să măsurați calitatea aerului în încăpere.</p> <p>Pentru rezultate optime, așezați monitorul SensorPod™ la o distanță de până la 15 metri de purificatorul de aer, pe o suprafață de lucru sau pe o masă aflată în linia de vizare a purificatorului. În modul Auto, purificatorul va continua să distribuie aer curat până când SensorPod™ detectează un nivel acceptabil al calității aerului.</p>
<p>Cât de des trebuie să schimb filtrele?</p>	<p>Este simplu! Indicatoarele de schimbare vă vor avertiza atunci când trebuie să schimbați filtrul cu carbon sau HEPA, sau lampa UV-C. Planificați-vă să schimbați filtrul cu carbon activ la intervale de 3-4 luni, filtrul HEPA la intervale de 12-15 luni, și lampa UV-C la intervale de 1-3 ani.</p>
<p>Cât de des trebuie să spăl prefiltrul?</p>	<p>Prefiltrul captează particulele mai mari și menține eficiența celorlalte filtre, și ca urmare vă recomandăm să îl examinați vizual o dată pe lună, și să îl spălați ori de câte ori este necesar. Este de asemenea bine să vă obișnuiți să spălați prefiltrul ori de câte ori schimbați filtrul cu carbon.</p>
<p>Cât de des trebuie să curăț senzorul de praf din SensorPod?</p>	<p>Pentru valori corecte ale calității aerului, vă recomandăm să curățați suprafața senzorului de praf la intervale de 1-2 luni.</p>
<p>Purificatorul nu pornește.</p>	<p>Verificați conexiunile cablului de alimentare, atât cea cu priza de perete, cât și cea cu purificatorul. Verificați dacă priza este sub tensiune prin conectarea unei lămpi sau a unui alt dispozitiv în stare de funcționare.</p> <p>Verificați dacă filtrul HEPA este corect instalat în compartimentul filtrului.</p> <p>Vă rugăm să ne contactați dacă nu reușiți să rezolvați problema! (pagina 325).</p>

ÎNTREBĂRI FRECVENTE ȘI REMEDIEREA PROBLEMELOR

<p>Purificatorul nu intră în modul Auto. sau Afișajul pentru valorile calității aerului este inactiv. sau Indicatorul senzorului de pe purificator clipește.</p>	<p>Verificați prima dată dacă SensorPod este conectat și dacă lumina indicatorului este continuă.</p> <p>Verificați apoi dacă SensorPod se află la distanța recomandată de purificator (până la 15 m).</p> <p>Dacă rezultatul verificărilor de mai sus este pozitiv însă conexiunea continuă să fie o problemă, citiți instrucțiunile de mai jos pentru a afla cum să reparați conexiunea monitorului SensorPod.</p>
<p>Mi-am pierdut monitorul SensorPod!</p>	<p>Nu vă faceți probleme! Luați legătura cu echipa noastră de asistență a clienților pentru a comanda un alt SensorPod. Urmăți instrucțiunile de asociere simple de mai jos pentru a asocia noul monitor SensorPod cu purificatorul.</p>

Asocierea monitorului SensorPod™ cu purificatorul

SensorPod comunică cu purificatorul folosind semnale cu frecvență radio. El este asociat cu purificatorul pe linia de producție și este gata de utilizare când deschideți cutia. Dacă cumva, ceea ce se întâmplă foarte rar, semnalul este întrerupt, indicatorul senzorului de pe purificator va clipi. Puteți repara conexiunea urmând câțiva pași simpli.

1. Deconectați monitorul SensorPod.
2. ȚINEȚI APĂSAT butonul de alimentare de pe purificator timp de 3 secunde, până când auziți două semnale sonore.
3. Conectați monitorul SensorPod și folosiți un obiect cu un vârf de mici dimensiuni (o agrafă de birou) pentru a apăsa și ȚINE APĂSAT butonul de asociere, aflat dedesubtul monitorului, timp de 5-7 secunde (Fig. N).

4. Conexiunea este stabilită atunci când indicatorul senzorului de pe purificator luminează continuu, și când afișajul pentru valorile calității aerului este activ.

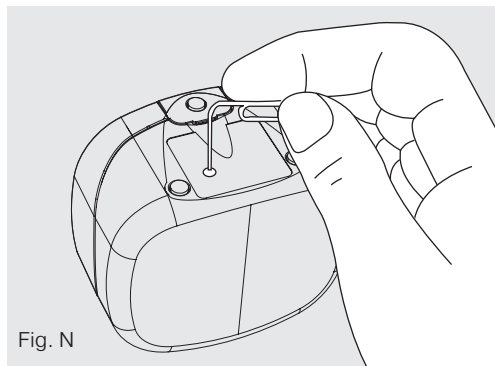


Fig. N

GARANȚIE

Funcționarea acestui aparat este garantată timp de doi ani de la data cumpărării, în condiții normale de utilizare. În perioada de garanție, la propria sa discreție, ACCO va repara sau va înlocui aparatul defect în mod gratuit. Defectele cauzate de utilizarea incorectă sau în scopuri necorespunzătoare nu sunt acoperite de garanție. Va fi necesară dovada datei de cumpărare. Reparațiile sau modificările făcute de persoane neautorizate de ACCO vor anula garanția. Obiectivul nostru este de a ne asigura că produsele noastre funcționează conform specificațiilor prevăzute. Această garanție nu afectează drepturile legale deținute de consumatori în conformitate cu legislația națională aplicabilă care reglementează vânzarea de bunuri.

ASISTENȚĂ

Vă mulțumim pentru alegerea purificatorului TruSens™ pentru locuința dumneavoastră. Clienții noștri stau la baza a tot ceea ce facem, și ne străduim să concepem produse care se potrivesc cu stilul dumneavoastră de viață. Dacă aveți întrebări sau sugestii, vă rugăm să ne contactați.

Vizitați-ne site-ul web la www.leitz.com/trusens

Trimiteți-ne un e-mail la romania@acco.com

Sunați-ne la **(+)40212 424 070**

Pentru a vă înregistra și a vă activa garanția, mergeți la www.leitz.com/register

TruSens™

Дышите чистым воздухом благодаря очистителю TruSens. Благодарим вас за приобретение нашей продукции для улучшения качества жизни.

Независимо от того, в какой части помещения он находится, человек должен дышать чистым воздухом. Использование устройств TruSens SensorPod™, технологии PureDirect™ и фильтрации на 360 градусов гарантирует более чистый воздух в помещениях.

ИНФОРМАЦИЯ ПО ТЕХНИКЕ БЕЗОПАСНОСТИ

ПРОЧИТАЙТЕ И СОХРАНИТЕ ЭТИ ИНСТРУКЦИИ

Если прибор не используется, а также перед заменой фильтров или УФ-С излучателя отключите или отсоедините устройство от электрической сети.



ПРЕДУПРЕЖДЕНИЕ. Для уменьшения риска возгорания или поражения электрическим током не используйте очиститель воздуха с полупроводниковым устройством регулирования скорости.

Не эксплуатируйте очиститель воздуха с поврежденным электрическим шнуром или вилкой и не подключайте к плохо закрепленной сетевой розетке. Во избежание риска поврежденный сетевой шнур должен заменяться только производителем, его агентом по ремонту или другими уполномоченными лицами.

Не прокладывайте шнур под ковролином, ковриками, ковровыми дорожками или подобными напольными покрытиями. Не прокладывайте шнур под мебелью или бытовой техникой. Расположите шнур в стороне от путей передвижения, чтобы об него было невозможно споткнуться.



ПРЕДУПРЕЖДЕНИЕ. Прямой взгляд на свет, исходящий от коротковолнового УФ-излучателя в этом устройстве, может привести к травмам кожи или глаз. Неправильное использование устройства или повреждение его корпуса может привести к выбросу опасного коротковолнового УФ излучения. Коротковолновое УФ излучение, даже в небольших дозах, может причинить вред глазам и коже. Обязательно отключите питание перед заменой лампы или выполнением обслуживания. Заменяйте излучатель УФ-С компонентом 2415108 (для Z-2000) или 2415111 (для Z-3000) производства компании ACCO Brands.

- Перед использованием снимите всю упаковку, включая пакет, закрывающий фильтр.
- Не следует эксплуатировать устройство с явными следами повреждений.
- Устройство следует подключать только к сетевой розетке, параметры которой соответствуют типу вилки устройства и параметрам сети, приведенным на паспортной табличке устройства.
- Расположите очиститель воздуха возле сетевой розетки и не используйте удлинители.
- Это устройство может использоваться детьми в возрасте от 8 лет и старше, а также лицами с ограниченными физическими, сенсорными или умственными возможностями или недостатком опыта и знаний при условии, что был обеспечен надзор за ними или для них был проведен инструктаж по поводу безопасного использования устройства и они осознали связанные с этим риски.
- Дети не должны играть с устройством, очищать его или пытаться выполнять его обслуживание.
- Заменяйте излучатель УФ-С компонентом, модель которого указана в настоящем руководстве.
- Не пытайтесь самостоятельно выполнять техническое обслуживание или ремонт настоящего устройства.
- Используйте очиститель и дистанционный монитор качества воздуха SensorPod™ только с прилагаемым шнуром питания.
- Очищайте устройство только влажной тканью и не используйте для этой цели растворители или отбеливающие средства.
- Перед началом работы убедитесь в том, что устройство установлено на твердой ровной поверхности.
- Не закрывайте и не блокируйте входные и выходные воздухопроводы.
- Не вставляйте пальцы или предметы в выходные или входные воздухопроводы.
- Когда очиститель воздуха находится в режиме ожидания, монитор SensorPod™ все еще передает сигнал/данные.

Рабочая частота

Беспроводной режим: 2462 МГц

Максимальная мощность передачи (ЭИИМ)

Беспроводной режим: 0 дБм

Коэффициент усиления антенны

Беспроводной режим: 2 дБи

Настоящим компания ACCO UK Ltd заявляет, что радиооборудование следующего типа — очиститель воздуха Leitz TruSens Z-2000/Z-3000 — соответствует Директиве 2014/53/ЕС.

С полным текстом декларации соответствия ЕС можно ознакомиться на следующем сайте:

<https://declarations.accobrands.com/>

Необходимо соблюдать минимальное расстояние 0,2 м между телом пользователя и устройством для выполнения требований касательно воздействия РЧ.

Утилизация отходов электрического и электронного оборудования (WEEE)

После завершения срока эксплуатации ваш продукт принадлежит к отходам электрического и электронного оборудования (WEEE). Соответственно, необходимо принять во внимание следующее.

Отходы электрического и электронного оборудования (WEEE) не должны утилизироваться как несортированные бытовые отходы. Они должны собираться отдельно, чтобы их можно было разобрать и повторно переработать, повторно использовать или рекуперировать их компоненты и материалы (в качестве топлива для регенерации энергии при производстве электричества).

Местные органы власти создали общественные пункты приема утильсырья для сбора отходов электрического и электронного оборудования

WEEE. Услуги таких пунктов бесплатны для сдающих.

Пожалуйста, доставьте отходы электрического и электронного оборудования (WEEE) в ближайший к вашему дому или офису пункт приема утильсырья.

При возникновении трудностей с выяснением местонахождения приема утильсырья, продавец, продавший вам устройство, должен принять отходы электрического и электронного оборудования (WEEE).

При отсутствии связи с розничным продавцом просим вас связаться с ACCO для получения помощи в решении этого вопроса.

Повторная переработка отходов электрического и электронного оборудования (WEEE) направлена на защиту окружающей среды, сохранение здоровья людей, сохранение запасов сырья и материалов, совершенствование устойчивого развития и обеспечение лучшей поставки в Европейский Союз товаров народного потребления. Это достигается путем восстановления ценного вторичного сырья и сокращения утилизации отходов. Вы можете внести свой вклад в достижение этих целей, сдавая отходы электрического и электронного оборудования (WEEE) в пункт приема утильсырья. Ваш продукт имеет символ «Отходы электрического и электронного оборудования» (WEEE) (перечеркнутый передвижной мусорный контейнер). Этот символ означает, что отходы электрического и электронного оборудования (WEEE) не должны утилизироваться как несортированные бытовые отходы. Очистители воздуха Leitz TruSens также оснащены излучателем УФ-С. При замене этого предмета (в течение срока службы изделия) он также должен быть возвращен и утилизирован в местном учреждении WEEE.

Дополнительную информацию и руководство по установке / видео для излучателя UV-C можно найти на сайте www.leitz.com

ОСНОВНЫЕ ФУНКЦИОНАЛЬНЫЕ ВОЗМОЖНОСТИ



SensorPod™

Дистанционный монитор качества воздуха, который обеспечивает более чистый воздух именно там, где он вам необходим.



Технология PureDirect™

Результаты тестирования независимыми лабораториями подтверждают целесообразность использования двух потоков воздуха вместо одного. Это способствует более эффективному перемещению воздуха, в результате чего повышается комфортность условий в помещении.



Информирование и адаптация

Цветокодированный светящийся кольцевой индикатор предоставляет дополнительную информацию о качестве воздуха в реальном времени.



Очистка воздуха на 360°

HEPA-фильтр очищает воздух от загрязнений и газов/запахов, создаваемых ЛОС, во всех направлениях. Для уничтожения попавших в фильтр микробов и бактерий используется лампа UV-C.

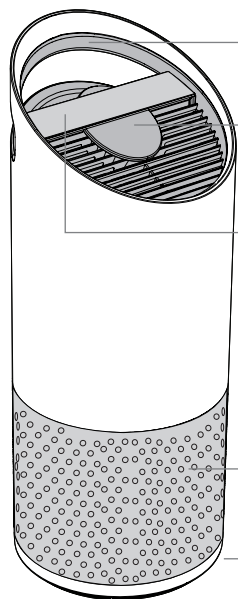


Продуманное исполнение

Исключительная функциональность и современная конструкция, которые удачно впишутся в любой интерьер.

ОБЗОР УСТРОЙСТВА

Очиститель
воздуха



Ручка для легкой переноски

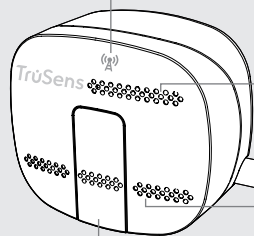
Дисплей качества воздуха

Простая сенсорная панель управления

Входной воздуховод 360°

Крышка и ручка фильтра (с нижней стороны)

SensorPod™



Индикатор
питания и уровня
сигнала

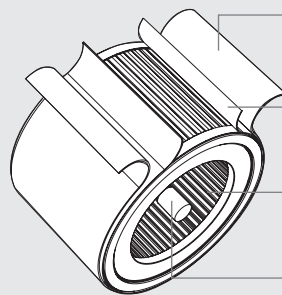
Выпускной
воздуховод

Шнур питания

Впускной
воздуховод

Дверца для
удобного доступа

Фильтр и лампа UV-C



Моющийся
предварительный
фильтр

Фильтр с
активированным
углем

HEPA-фильтр

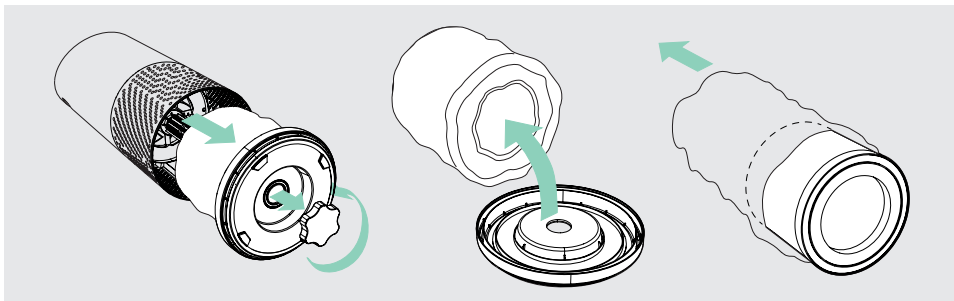
Лампа UV-C

НАЧАЛО ИСПОЛЬЗОВАНИЯ



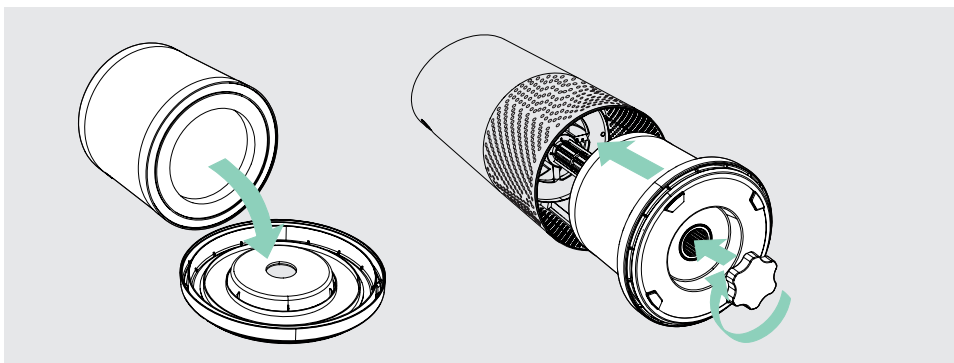
1. Снимите с фильтра пластиковый пакет

Отверните нижнюю крышку и снимите пластиковый пакет с фильтра.



2. Установите фильтр на место

Закрепите фильтр на нижней крышке и поместите его обратно внутрь очистителя.



3. Настройка

Подключите к электрической сети дистанционный монитор качества воздуха SensorPod. Поставьте монитор SensorPod на стол или иную рабочую поверхность в пределах прямой видимости очистителя, но на другом конце помещения.

Подключите очиститель к электрической сети и включите питание.

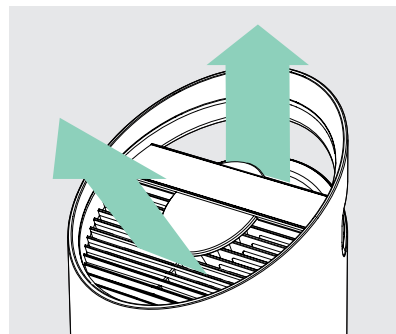
Поставьте очиститель на ровную поверхность, не имеющую препятствий

- в месте, где воздух может свободно поступать в очиститель со всех сторон
- избегайте мест, в которых находится постельное белье и занавески, а также источники тепла или влаги.

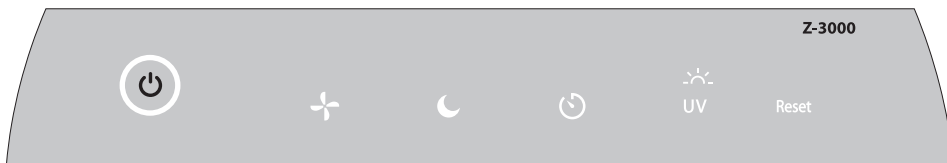
Уровень сигнала может варьироваться в зависимости от местоположения. В редкой ситуации, когда устройство не работает, см. стр. 341.

4. Начните жить с очищенным воздухом!

Очиститель автоматически регулирует частоту вращения вентиляторов в зависимости от показаний качества воздуха, поступающих от монитора SensorPod, а благодаря уникальной технологии PureDirect™ все помещение будет заполнено очищенным воздухом!



ПАНЕЛЬ УПРАВЛЕНИЯ



Кнопка питания



Настройки скорости вентилятора

Выберите скорость вентилятора или автоматический режим (AUTO).

В автоматическом режиме очиститель автоматически регулирует частоту вращения вентиляторов в зависимости от показаний качества воздуха, поступающих от монитора SensorPod.

(Автоматический режим доступен, только когда очиститель сопряжен с монитором SensorPod и получает от него сигнал.)



Ночной режим

Данный режим предназначен для использования во время сна. Подсветка дисплея отключается, но это никак не влияет на эффективность работы очистителя.

Для восстановления действия всех функций дисплея просто нажмите кнопку сна.




Режим таймера

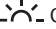
Очиститель автоматически выключится через 2, 4, 8 или 12 часов.

Для отмены обратного отсчета по таймеру нажмите и удерживайте кнопку, пока не перестанет отображаться настройка таймера.

UV

Режим ультрафиолетового излучения

Лампа UV-C в фильтровальной камере очистителя включена, когда символ  светится белым цветом.

Если символ  светится красным цветом, пришло время заменить лампу UV-C.

(См. инструкции на стр. 338.)

Reset

Сброс индикаторов фильтра и ультрафиолетовой лампы

Индикаторы «HEPA», «Carbon» («Активированный уголь») и «UV» («УФ») светятся красным цветом, когда необходимо заменить соответствующее устройство.

Когда включен 1 индикатор, нажмите и удерживайте кнопку сброса (Reset) в течение 3 секунд, чтобы выполнить сброс состояния этого индикатора.

Когда включены 2 или более индикаторов, коснитесь кнопки сброса (Reset), чтобы выбрать требуемый индикатор (выбранный индикатор будет мигать), а затем нажмите и удерживайте ее в течение 3 секунд, чтобы выполнить сброс состояния выбранного индикатора.

(Инструкции по замене см. на стр. 336—338. После замены фильтра выполните приведенные выше инструкции по сбросу состояния индикатора.)

ДИСПЛЕЙ КАЧЕСТВА ВОЗДУХА

Предоставление данных в реальном времени

Революционный монитор качества воздуха SensorPod™ анализирует состояние воздуха в помещении, измеряя как содержащиеся в нем небольшие твердые частицы (PM2.5), так и твердые частицы большего размера (PM10). Он измеряет общее качество воздуха с помощью уникального алгоритма, который учитывает реальное увеличение количества загрязнений, но при этом исключает чрезмерное реагирование, например, когда в помещение входит человек или когда человек садится на диван.

На цветокодированном дисплее с подсветкой отображается хорошее, умеренное или плохое качество воздуха, а числовое значение служит для большей детализации.

В автоматическом режиме работы очиститель автоматически регулирует частоту вращения вентиляторов в зависимости от этих показаний качества воздуха.

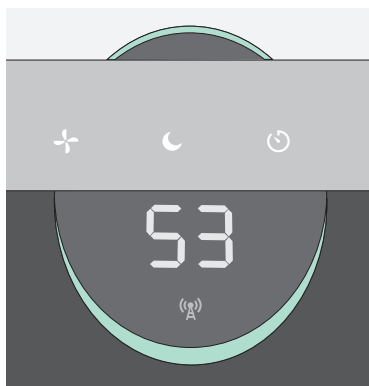
ХОРОШЕЕ КАЧЕСТВО

СИНИЙ | 0 - 50



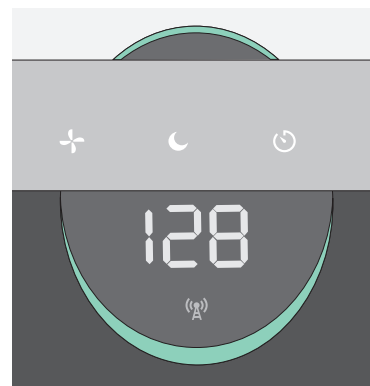
УМЕРЕННОЕ КАЧЕСТВО

ЖЕЛТЫЙ | 50 - 100



ПЛОХОЕ КАЧЕСТВО

КРАСНЫЙ | 100 - 500



В мониторе TruSens используется индекс качества воздуха (1—500), разработанный американским агентством по охране окружающей среды (EPA).

ТЕХНИЧЕСКИЕ ХАРАКТЕРИСТИКИ

Впускной воздуховод	360°
Замена воздуха 2 раза в час	70 м2
Тип подачи воздуха	PureDirect™
Датчик	SensorPod™, работает на расстоянии до 15 м от очистителя
Настройки скорости вентилятора	бесшумный (Whisper), 1, 2, 3, турбо (Turbo)
Уровни очистки	моющийся предварительный фильтр, фильтр с активированным углем, HEPA-фильтр, лампа UV-C
Настройки таймера	2, 4, 8, 12 часов
Индикаторы замены фильтров	«Carbon» («Активированный уголь»), «HEPA», «UV» («УФ»)
Уровень шума	от 32 до 66 дБ
Габаритные размеры	263 x 263 x 726 мм
Масса	5,7 кг
Тип электродвигателя	электродвигатель постоянного тока
Требования к электропитанию	от 220 до 240 В 50/60 Гц 0,5 А
Потребление электроэнергии	68 Вт
Гарантия	2 года

Замена фильтров и лампы UV-C

Барабанный HEPA-фильтр «3 в 1»	2415110
Фильтр с активированным углем (3 шт.)	2415109
Лампа UV-C	2415111

УХОД И ТЕХНИЧЕСКОЕ ОБСЛУЖИВАНИЕ

Доступ к фильтровальной камере

1. Обязательно отключите электропитание, нажав кнопку электропитания и отсоединив шнур питания от розетки.
2. Осторожно положите устройство боковой стороной на пол так, чтобы была видна крышка и ручка фильтровальной камеры.
3. Поверните ручку против хода часовой стрелки и снимите крышку фильтровальной камеры и барабанный HEPA-фильтр 360° (рис. А).

ЗАМЕНА HEPA-ФИЛЬТРА

1. Когда придет время заменить весь барабанный HEPA-фильтр, индикатор HEPA-фильтра будет светиться красным цветом.
2. Осторожно извлеките барабанный HEPA-фильтр из его расположения, в котором он прикреплен к крышке фильтра (рис. В).
3. Установите и закрепите на крышке фильтра новый HEPA-фильтр (рис. С).
4. Осторожно поместите на место крышку фильтра и барабанный фильтр внутрь фильтровальной камеры и на резьбовое соединение, после чего поверните ручку по ходу часовой стрелки, чтобы надежно затянуть ручку и крышку фильтра (рис. D).
5. Подсоедините шнур питания к розетке и включите электропитание очистителя. Нажмите и удерживайте кнопку сброса (Reset), пока не выключится красный индикатор HEPA-фильтра.

Примечание. Барабанный HEPA-фильтр (см. стр. 335) состоит из 3 уровней: моющийся предварительный фильтр, фильтр с активированным углем и HEPA-фильтр.

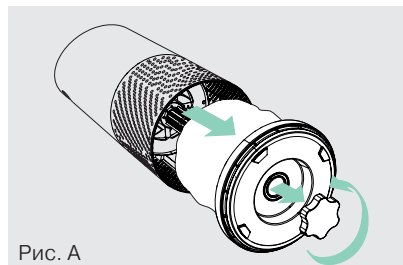


Рис. А

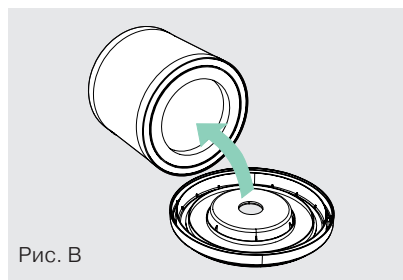


Рис. В

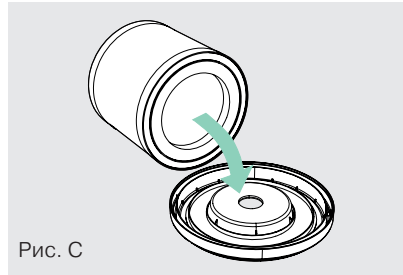


Рис. С

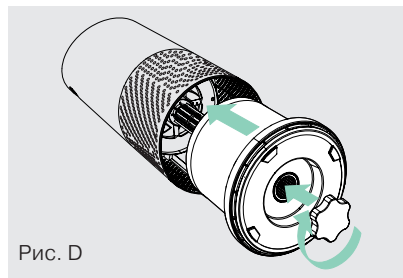


Рис. D

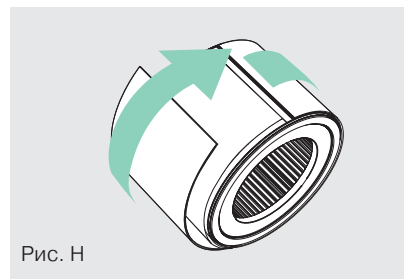
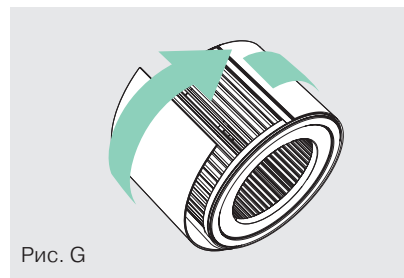
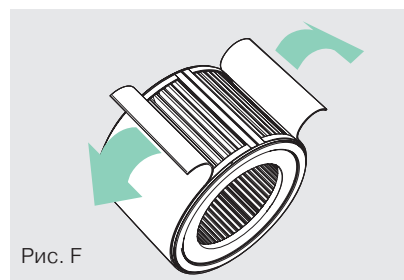
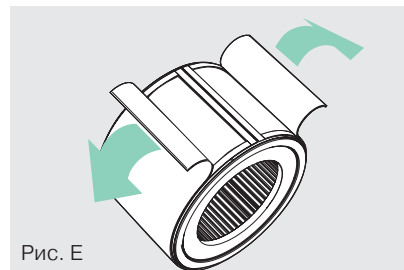
ЗАМЕНА ФИЛЬТРА С АКТИВИРОВАННЫМ УГЛЕМ

1. Когда придет время заменить фильтр с активированным углем, индикатор фильтра с активированным углем будет светиться красным цветом.
2. Осторожно отсоедините предварительный фильтр от фиксирующих полосок (рис. E).
3. Осторожно отсоедините слой отработанного активированного угля от фиксирующих полосок (рис. F).
4. Оберните новый слой активированного угля вокруг барабана фильтра и присоедините его к тем же фиксирующим полоскам (рис. G).
5. Оберните предварительный фильтр вокруг слоя активированного угля и присоедините его к фиксирующим полоскам (рис. H).
6. После включения электропитания очистителя нажмите и удерживайте кнопку сброса (Reset), пока не выключится красный индикатор фильтра с активированным углем.



Примечание: комплекта из 3 фильтров с активированным углем (см. стр. 335) достаточно для выполнения 3 замен фильтра с активированным углем в период между заменами барабанного HEPA-фильтра (см. стр. 336).

МОЙКА ПРЕДВАРИТЕЛЬНОГО ФИЛЬТРА

1. Производитель рекомендует ежемесячно осматривать предварительный фильтр и очищать его по мере надобности. Предварительный фильтр следует мыть вручную не реже чем при каждой замене фильтра с активированным углем.
2. Осторожно отсоедините моющийся предварительный фильтр от фиксирующих полосок (рис. E).
3. Осторожно промойте проточной водой и дайте предварительному фильтру высохнуть на воздухе, после чего установите его на место.
4. Оберните предварительный фильтр вокруг барабанного фильтра и присоедините его к фиксирующим полоскам (рис. H).



ЗАМЕНА ЛАМПЫ UV-C

1. Если индикатор  светится красным цветом, пришло время заменить лампу UV-C.
2. Снимите барабанный HEPA-фильтр (рис. А) и с помощью отвертки выкрутите 4 винта, которыми крепится корпус узла УФ-лампы (рис. I).
3. Осторожно снимите корпус узла УФ-лампы (рис. J).
4. Извлеките лампу UV-C из цоколя, расположенного в очистителе (рис. K).
5. Новую лампу UV-C (см. стр. 335) следует вставить непосредственно в тот же цоколь (рис. L).
6. Установите корпус узла УФ-лампы на место и с помощью отвертки затяните крепежные винты.
7. После включения электропитания очистителя нажмите и удерживайте кнопку сброса (Reset), пока индикатор  не начнет светиться белым цветом.

Примечание. После замены излучателя UV-C, пожалуйста, утилизируйте его в местном учреждении WEEE.

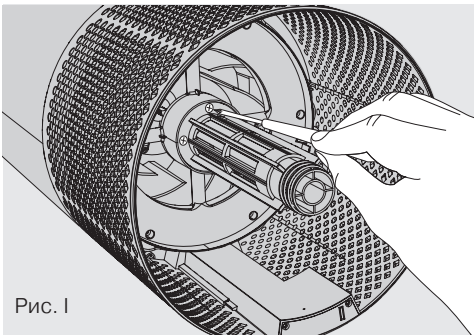


Рис. I

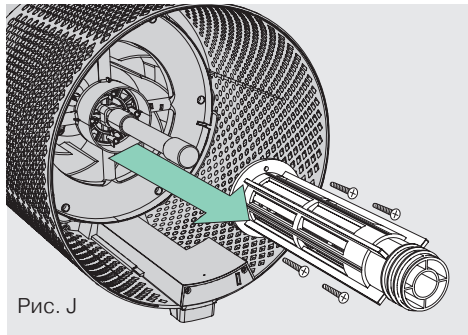


Рис. J

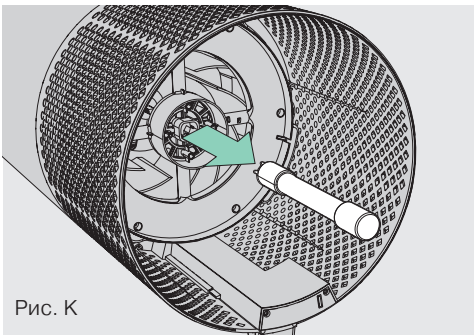


Рис. K

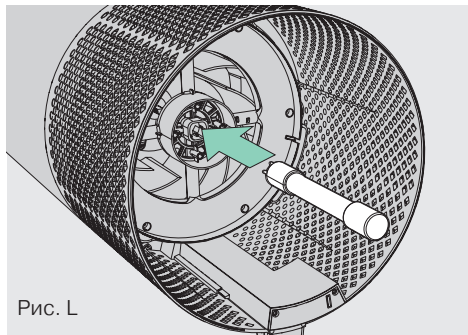


Рис. L

ОЧИСТКА МОНИТОРА SENSORPOD™

Очистка датчика качества воздуха

Монитор SensorPod™ выполняет обнаружение взвешенных в воздухе твердых частиц с помощью инфракрасного излучения, поэтому важно каждые 1—2 месяца очищать камеру датчика пыли от твердых частиц или пыли, которые могут отрицательно сказаться на точности показаний этого датчика.

1. Отключите электропитание монитора SensorPod, отсоединив шнур питания.
2. Откройте дверцу для удобного доступа на передней стороне, подняв ее под углом 90°.
3. С помощью влажной ватной палочки вытрите линзу и входную область датчика пыли (рис. М).
4. Удалите остаток влаги с помощью сухой ватной палочки.
5. Закройте крышку, опустив и задвинув ее на место до щелчка.

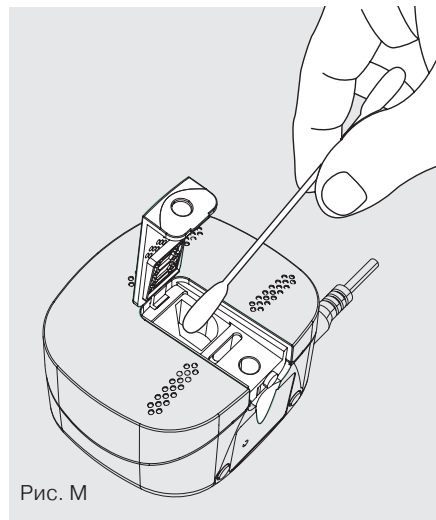


Рис. М

ЧАСТО ЗАДАВАЕМЫЕ ВОПРОСЫ И ОТВЕТЫ НА НИХ, ПОИСК И УСТРАНЕНИЕ НЕИСПРАВНОСТЕЙ

<p>Где следует устанавливать монитор SensorPod™?</p>	<p>В любом месте, где требуется измерение качества воздуха в помещении!</p> <p>Для получения оптимальных результатов устанавливайте монитор SensorPod™ на расстоянии до 15 метров от очистителя воздуха на рабочей поверхности или на столе так, чтобы монитор находился в пределах прямой видимости очистителя. В автоматическом режиме работы очиститель будет распределять чистый воздух, пока монитор SensorPod™ не определит приемлемый уровень качества воздуха.</p>
<p>Как часто следует менять фильтры?</p>	<p>Замена фильтров является простой процедурой. Индикаторы замены, расположенные на очистителе, уведомят вас о необходимости замены фильтра с активированным углем, HEPA-фильтра или лампы UV-C.</p> <p>Планируйте замену фильтра с активированным углем каждые 3-4 месяца, HEPA-фильтра каждые 12-15 месяцев и лампы UV-C каждые 1-3 года.</p>
<p>Как часто следует мыть предварительный фильтр?</p>	<p>Предварительный фильтр задерживает твердые частицы большего размера для сохранения эффективности действия остальных фильтров. Поэтому производитель рекомендует ежемесячно осматривать предварительный фильтр и мыть его по мере необходимости. Кроме того, рекомендуется мыть предварительный фильтр при каждой замене фильтра с активированным углем.</p>
<p>Как часто следует очищать датчик пыли в мониторе SensorPod?</p>	<p>Для достижения максимально точного измерения качества воздуха рекомендуется очищать поверхность датчика пыли каждые 1-2 месяца.</p>
<p>Очиститель не включается.</p>	<p>Убедитесь, что шнур питания надежно подключен и к настенной розетке, и к очистителю. Убедитесь, что в розетке имеется электропитание. Наличие электропитания можно проверить, подключив к этой розетке осветительный прибор или другое работоспособное устройство.</p> <p>Убедитесь, что HEPA-фильтр правильно установлен в фильтровальной камере.</p> <p>Если проблему устранить не удалось, обращайтесь в нашу компанию. (стр. 342).</p>

ЧАСТО ЗАДАВАЕМЫЕ ВОПРОСЫ И ОТВЕТЫ НА НИХ, ПОИСК И УСТРАНЕНИЕ НЕИСПРАВНОСТЕЙ

<p>Очиститель не переключается в автоматический режим. или Индикаторы качества воздуха выключены. или Мигает индикатор сигнала датчика очистителя.</p>	<p>Сначала убедитесь в том, что монитор SensorPod подключен к источнику электропитания и его световой индикатор светится непрерывно.</p> <p>Затем убедитесь в том, что монитор SensorPod находится в пределах действия очистителя (до 15 м).</p> <p>Если оба этих условия выполнены, но соединение установить не удастся, см. инструкции по восстановлению соединения с SensorPod ниже.</p>
<p>Мой монитор SensorPod потерялся!</p>	<p>Не беспокойтесь! Обратитесь в нашу службу поддержки клиентов и закажите новый монитор SensorPod. Выполните простые инструкции по сопряжению нового монитора SensorPod с имеющимся очистителем воздуха!</p>

Сопряжение монитора SensorPod™ и очистителя

Монитор SensorPod поддерживает связь с очистителем посредством радиочастотных сигналов. На заводе-изготовителе выполнена процедура сопряжения, поэтому оба устройства изначально готовы к работе. В редких случаях потери связи между двумя устройствами будет мигать световой индикатор датчика на очистителе. Восстановить соединение можно, выполнив несколько простых действий.

1. Отсоедините монитор SensorPod от источника электропитания.
2. На очистителе **НАЖМИТЕ И УДЕРЖИВАЙТЕ** кнопку электропитания в течение 3 секунд, пока не услышите два звуковых сигнала.
3. Подключите монитор SensorPod и с помощью канцелярской скрепки (или аналогичного предмета) **НАЖМИТЕ И УДЕРЖИВАЙТЕ** кнопку

сопряжения в нижней части монитора SensorPod в течение 5-7 секунд (рис. N).

4. Соединение установлено, когда индикатор датчика очистителя светится непрерывно и индикаторы качества воздуха включены.

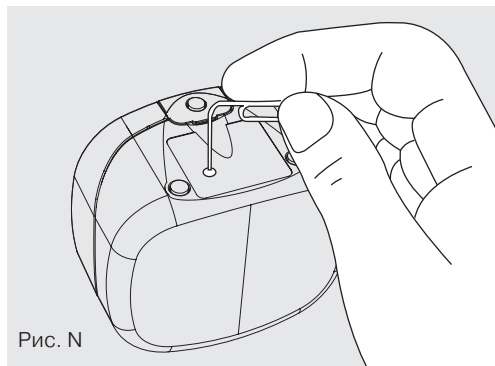


Рис. N

ГАРАНТИЯ

Работа данного устройства обеспечивается двухлетней гарантией от даты приобретения при условии нормальной эксплуатации. В рамках гарантийного периода компания ACCO на свое усмотрение произведет либо ремонт, либо замену неисправного устройства бесплатно. Данная гарантия не распространяется на неисправности, вызванные несоблюдением правил эксплуатации или использованием изделия в непредусмотренных целях. Необходимо подтверждение даты приобретения. Работы по ремонту и модификации, проведенные лицами, не уполномоченными компанией ACCO, прекращают действие гарантии. Мы стремимся обеспечить высокие эксплуатационные свойства изделия согласно предоставленной спецификации. Данная гарантия не затрагивает юридические права потребителей в рамках соответствующего национального законодательства, регулирующего продажу товаров.

ПОДДЕРЖКА

Благодарим вас за приобретение очистителя TruSens™ для своего дома. Деятельность нашей компании неуклонно направлена на удовлетворение потребностей наших клиентов, и мы стремимся разрабатывать устройства, которые соответствуют вашему стилю жизни. Если у вас есть вопросы или предложения, обращайтесь в нашу компанию!

Посетите наш веб-сайт: www.leitz.com/trusens

Напишите электронное письмо: ru-marketing@acco.com

Позвоните нам: +74959332763

Для регистрации и активации гарантии перейдите по ссылке: www.leitz.com/register

TruSens™

Καλωσορίσατε στον καθαρό αέρα με τη συσκευή TruSens. Ευχαριστούμε που μας επιτρέπετε να σας συνοδεύσουμε στο ταξίδι σας προς την ευεξία.

Ο αέρας που αναπνέετε θα πρέπει να είναι καθαρός, ανεξάρτητα από το σημείο του δωματίου όπου βρίσκεστε. Η συσκευή TruSens με SensorPod™, τεχνολογία PureDirect™ και φίλτράρισμα 360 μοιρών εξασφαλίζει καθαρότερο αέρα σε όλο το δωμάτιο.

ΠΛΗΡΟΦΟΡΙΕΣ ΓΙΑ ΤΗΝ ΑΣΦΑΛΕΙΑ

ΔΙΑΒΑΣΤΕ ΚΑΙ ΦΥΛΑΞΤΕ ΑΥΤΕΣ ΤΙΣ ΟΔΗΓΙΕΣ

Αποσυνδέστε τη συσκευή από την παροχή τροφοδοσίας προτού αντικαταστήσετε τα φίλτρα ή τον πομπό UV-C, ή όταν η συσκευή δεν χρησιμοποιείται.



ΠΡΟΕΙΔΟΠΟΙΗΣΗ: Για να περιοριστεί ο κίνδυνος πυρκαγιάς ή ηλεκτροπληξίας, μη χρησιμοποιείτε αυτόν τον καθαριστή αέρα με συσκευή ελέγχου ταχύτητας στερεάς κατάστασης. Μη λειτουργείτε τον καθαριστή αέρα αν το καλώδιο ή το φις έχει υποστεί ζημιά, ή αν η πρίζα τοίχου είναι χαλαρή. Αν το καλώδιο τροφοδοσίας έχει υποστεί ζημιά, πρέπει να αντικατασταθεί από τον κατασκευαστή, μια εξουσιοδοτημένη αντιπροσωπία σέρβις ή έναν κατάλληλα καταρτισμένο τεχνικό, προκειμένου να αποφευχθεί οποιοσδήποτε κίνδυνος. Μην περνάτε το καλώδιο κάτω από χαλιά, χαλάκια, διαδρόμους ή παρόμοια καλύμματα. Μην περνάτε το καλώδιο κάτω από έπιπλα ή συσκευές. Τοποθετήστε το καλώδιο μακριά από χώρους όπου κινούνται άτομα και κάπου που δεν θα σκοντάψουν πάνω του.



ΠΡΟΕΙΔΟΠΟΙΗΣΗ: Αν κοιτάξετε απευθείας το φως που παράγεται από τον πομπό UV-C σε αυτή τη συσκευή, ενδέχεται να προκληθεί βλάβη στο δέρμα ή στα μάτια σας. Τυχόν ακατάλληλη χρήση της συσκευής ή πρόκληση ζημιάς στο περίβλημα ενδέχεται να έχει ως αποτέλεσμα την έκλυση επικίνδυνης ακτινοβολίας UV-C. Η ακτινοβολία UV-C μπορεί, ακόμα και σε μικρές δόσεις, να προκαλέσει βλάβη στα μάτια και στο δέρμα. Πάντα να αποσυνδέετε την παροχή τροφοδοσίας προτού αλλάξετε τη λυχνία ή εκτελέσετε συντήρηση. Αντικαταστήστε τον πομπό UV-C με το μοντέλο με κωδικό είδους 2415108 (για το Z-2000) ή 2415111 (για το Z-3000) που κατασκευάζεται από την ACCO Brands.

- Αφαιρέστε όλα τα υλικά συσκευασίας, συμπεριλαμβανομένης της σακούλας που καλύπτει το φίλτρο, πριν από τη χρήση.
- Οι συσκευές με εμφανείς ζημιές δεν πρέπει να χρησιμοποιούνται.
- Αυτή η συσκευή πρέπει να συνδέεται μόνο σε μια πρίζα τοίχου που αντιστοιχεί στον τύπο φης τροφοδοσίας και τις ονομαστικές τιμές που αναφέρονται στην πινακίδα στοιχείων.
- Τοποθετήστε τον καθαριστή αέρα κοντά στην πρίζα τοίχου και μη χρησιμοποιείτε καλώδια προέκτασης.
- Αυτή η συσκευή μπορεί να χρησιμοποιηθεί από παιδιά ηλικίας 8 ετών και άνω και από άτομα με μειωμένες σωματικές, αισθητήριες ή διανοητικές ικανότητες, ή χωρίς εμπειρία και απαραίτητη γνώση, εφόσον βρίσκονται υπό επίβλεψη ή καθοδηγούνται σχετικά με τη χρήση της συσκευής με ασφαλή τρόπο και κατανοούν τους κινδύνους που ενέχει.
- Τα παιδιά δεν πρέπει να παίζουν με, να καθαρίζουν ή να προσπαθούν να συντηρήσουν τη συσκευή.
- Αντικαταστήστε τον πομπό UV-C με το μοντέλο που καθορίζεται σε αυτό το εγχειρίδιο.
- Μην επιχειρείτε να συντηρήσετε ή να επισκευάσετε μόνοι σας αυτό το προϊόν.
- Χρησιμοποιείτε τον καθαριστή αέρα και το SensorPod™ μόνο με το καλώδιο τροφοδοσίας που παρέχεται.
- Καθαρίζετε αυτή τη συσκευή μόνο με υγρό πανί, μη χρησιμοποιείτε διαλύτες ή λευκαντικά.
- Πριν από τη λειτουργία, να βεβαιώνετε πάντα ότι η συσκευή βρίσκεται πάνω σε σταθερή και επίπεδη επιφάνεια.
- Μη φράζετε και μην εμποδίζετε τις θυρίδες εισόδου ή εξόδου αέρα.
- Μην εισάγετε τα δάχτυλά σας ή άλλα αντικείμενα στις θυρίδες εισόδου ή εξόδου αέρα.
- Όταν ο καθαριστής αέρα βρίσκεται σε κατάσταση αναμονής, το SensorPod™ εξακολουθεί να εκπέμπει σήμα/δεδομένα.

Συχνότητα λειτουργίας

Ασύρματα: 2462 MHz

Μέγιστη ισχύς εκπομπής (EIRP)

Ασύρματα: 0 dBm

Απολαβή κεραίας

Ασύρματα: 2 Dbi

Με την παρούσα, η ACCO UK Ltd δηλώνει ότι οι τύποι ραδιοεξοπλισμού των καθαριστών αέρα Leitz TruSens Z-2000/Z-3000 συμμορφώνονται με την Οδηγία 2014/53/ΕΕ.

Το πλήρες κείμενο της δήλωσης συμμόρφωσης ΕΕ είναι διαθέσιμο στην ακόλουθη διαδικτυακή διεύθυνση: <https://declarations-accobrand.com/>

Πρέπει να διατηρείται ελάχιστη απόσταση διαχωρισμού 0,2 μέτρων ανάμεσα στο σώμα του χρήστη και τη συσκευή, για συμμόρφωση με τις απαιτήσεις έκθεσης σε ραδιοσυχνότητες.

Απόβλητα ηλεκτρικού και ηλεκτρονικού εξοπλισμού (ΑΗΗΕ)

Στο τέλος της ωφέλιμης διάρκειας ζωής του, το προϊόν σας θεωρείται ΑΗΗΕ. Συνεπώς, θα πρέπει να σημειωθούν τα εξής:

Το ΑΗΗΕ δεν προορίζεται για απόρριψη ως αδιαχώριστο αστικό απόβλητο. Προορίζεται για χωριστή συλλογή με τέτοιον τρόπο ώστε να μπορεί να αποσυναρμολογηθεί και, επομένως, τα στοιχεία και υλικά του να μπορούν να ανακυκλωθούν, να επαναχρησιμοποιηθούν και να ανακτηθούν (όπως κάποιο καύσιμο για ανάκτηση ενέργειας στην παραγωγή ηλεκτρικής ενέργειας).

Οι εκάστοτε δήμοι έχουν ορίσει δημόσια σημεία συλλογής για τη συλλογή των ΑΗΗΕ δωρεάν για εσάς. Επιστρέψτε το ΑΗΗΕ σας στην πλησιέστερη εγκατάσταση συλλογής.

Εάν αντιμετωπίζετε δυσκολία στον εντοπισμό μιας εγκατάστασης συλλογής, το κατάστημα λιανικής πώλησης από το οποίο αγοράσατε το προϊόν θα πρέπει να αποδεχτεί το ΑΗΗΕ σας.

Εάν δεν είστε πλέον σε επαφή με το κατάστημα λιανικής πώλησης, επικοινωνήστε με την ACCO για βοήθεια σχετικά με αυτό το ζήτημα.

Η ανακύκλωση ΑΗΗΕ συνδέεται με την προστασία του περιβάλλοντος, την προστασία της ανθρώπινης υγείας, τη διαφύλαξη των πρώτων υλών, τη βελτίωση της αειφόρου ανάπτυξης και τη διασφάλιση καλύτερης παροχής βασικών προϊόντων στις χώρες της Ευρωπαϊκής Ένωσης. Αυτό θα επιτευχθεί με την ανάκτηση πολύτιμων δευτερευουσών πρώτων υλών, καθώς και με τη μείωση της απόρριψης αποβλήτων. Μπορείτε να συνεισφέρετε στην επιτυχία αυτών των στόχων, επιστρέφοντας το δικό σας ΑΗΗΕ σε μια εγκατάσταση συλλογής.

Το προϊόν σας φέρει σήμανση με το σύμβολο ΑΗΗΕ (τροχήλατος κάδος απορριμμάτων διαγραμμένος με ένα Χ). Το σύμβολο αυτό σας ενημερώνει ότι το ΑΗΗΕ δεν πρέπει να απορριφθεί ως αδιαχώριστο αστικό απόβλητο.

Οι καθαριστές αέρα Leitz TruSens έρχονται επίσης εξοπλισμένοι με έναν εκπομπό UV-C. Κατά την αντικατάσταση αυτού του αντικειμένου (κατά τη διάρκεια ζωής του προϊόντος), αυτά πρέπει επίσης να επιστραφούν και να διατεθούν στην τοπική μονάδα συλλογής ΑΗΗΕ.

Περισσότερες πληροφορίες και οδηγοί εγκατάστασης / βίντεο για τον πομπό UV-C μπορείτε να βρείτε στη διεύθυνση www.leitz.com

ΚΥΡΙΕΣ ΔΥΝΑΤΟΤΗΤΕΣ



SensorPod™

Απομακρυσμένη διάταξη παρακολούθησης ποιότητας αέρα που εξασφαλίζει καθαρότερο αέρα, ακριβώς εκεί που τον χρειάζεστε.



Τεχνολογία PureDirect™

Ανεξάρτητες εργαστηριακές δοκιμές επιβεβαιώνουν ότι δύο ρεύματα ροής αέρα είναι καλύτερα από ένα, επειδή μεταφέρουν τον αέρα αποτελεσματικά και δημιουργούν πιο άνετη αίσθηση σε ολόκληρο το δωμάτιο



Ενημερώνει και προσαρμόζεται

Ο φωτεινός δακτύλιος με χρωματική κωδικοποίηση παρέχει πρόσθετες πληροφορίες, υποδεικνύοντας την ποιότητα του αέρα σε πραγματικό χρόνο.



Καθαρισμός 360°

Το φίλτρο HEPA αιχμαλωτίζει τους ρύπους και αέρια VOC/οσμές από όλες τις κατευθύνσεις. Η ακτινοβολία UV-C εξοντώνει τα μικρόβια και τα βακτήρια που μπορούν να παγιευτούν στο φίλτρο.

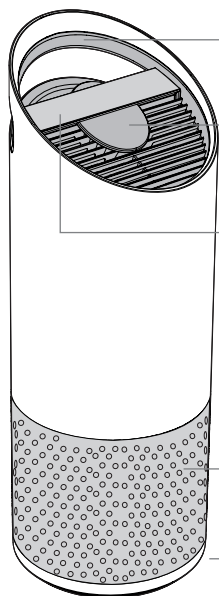


Προνοητική υλοποίηση

Εξαιρετική λειτουργικότητα και σύγχρονη σχεδίαση που ταιριάζει σε οποιοδήποτε περιβάλλον.

ΕΠΙΣΚΟΠΗΣΗ ΠΡΟΪΟΝΤΟΣ

Καθαριστής αέρα



Λαβή εύκολης μεταφοράς

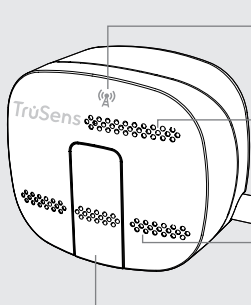
Ένδειξη ποιότητας αέρα

Απλός πίνακας ελέγχου αφής

Εισαγωγή αέρα 360°

Κάλυμμα φίλτρου και περιστροφικό κουμπί
(κάτω πλευρά)

SensorPod™



Ενδεικτική λυχνία
λειτουργίας και
σήματος

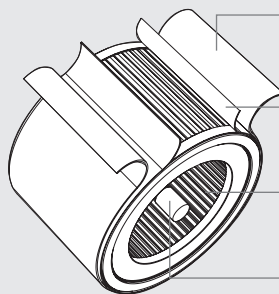
Έξοδος αέρα

Καλώδιο ρεύματος

Είσοδος αέρα

Θύρα εύκολης
πρόσβασης

Φίλτρο και λυχνία UV-C



Πλενόμενο
προφίλτρο

Φίλτρο ενεργού
άνθρακα

Φίλτρο HEPA

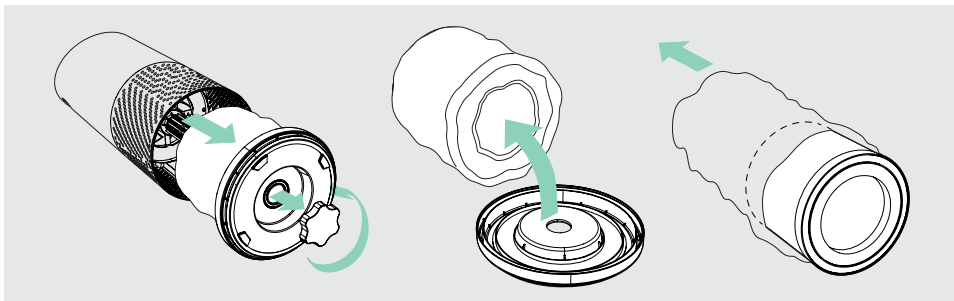
Λυχνία UV-C

ΕΝΑΡΞΗ ΧΡΗΣΗΣ



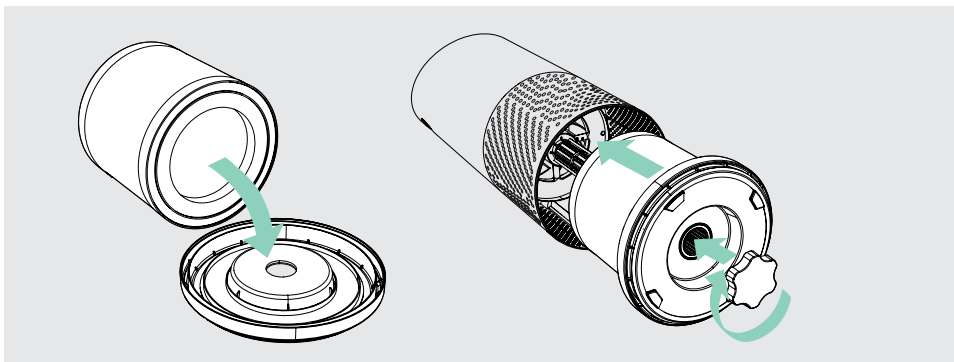
1. Αφαιρέστε την πλαστική σακούλα από το φίλτρο

Ξεβιδώστε το κάλυμμα κάτω μέρος και αφαιρέστε την πλαστική σακούλα από το φίλτρο.



2. Επανατοποθετήστε το φίλτρο

Στερεώστε το φίλτρο στο κάλυμμα κάτω μέρος και τοποθετήστε το ξανά μέσα στον καθαριστή αέρα.



3. Ρύθμιση

Συνδέστε το SensorPod στην πρίζα.

Τοποθετήστε το SensorPod σε όρθια θέση πάνω σε ένα τραπέζι ή μια επιφάνεια εργασίας στην απέναντι πλευρά του δωματίου, σε σημείο που έχει οπτική επαφή με τον καθαριστή αέρα.

Συνδέστε τον καθαριστή αέρα στην πρίζα και ενεργοποιήστε τον.

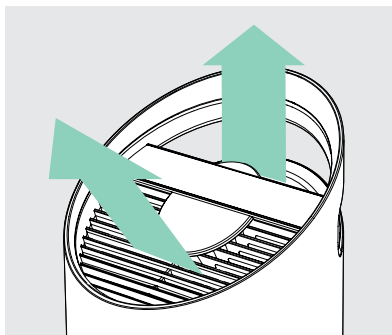
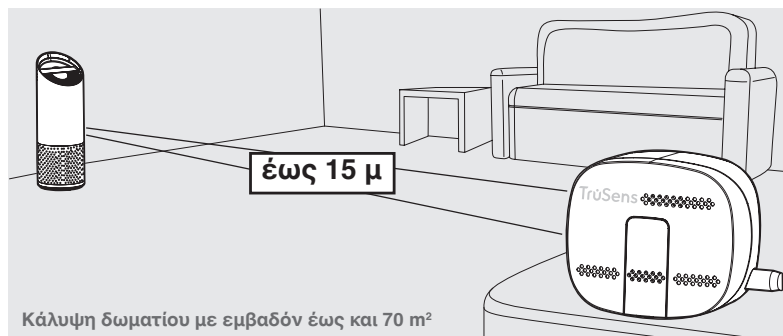
Τοποθετήστε τον καθαριστή αέρα σε μια επίπεδη επιφάνεια, χωρίς εμπόδια

- σε σημείο όπου ο αέρας μπορεί να εισέρχεται ελεύθερα στον καθαριστή από όλες τις πλευρές
- αποφεύγοντας κλινოსκεπάσματα και κουρτίνες, καθώς και πηγές θερμότητας ή υγρασίας.

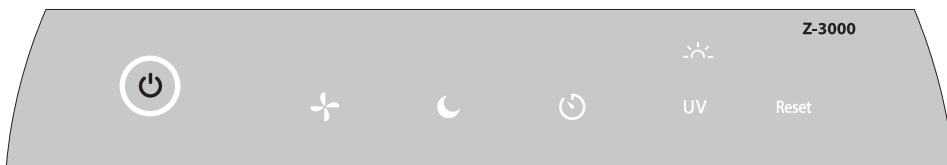
Η ισχύς του σήματος ενδέχεται να διαφέρει, ανάλογα με τη θέση. Στη σπάνια περίπτωση που δεν λειτουργεί, ανατρέξτε στη σελίδα 358.

4. Αρχίστε να ζείτε με καθαρότερο αέρα!

Ο καθαριστής αέρα θα προσαρμόζει αυτόματα την ταχύτητα ανεμιστήρα με βάση τις μετρήσεις ποιότητας αέρα από το SensorPod και η μοναδική τεχνολογία PureDirect™ θα παρέχει καθαρό αέρα σε ολόκληρο το δωμάτιο!



ΠΙΝΑΚΑΣ ΕΛΕΓΧΟΥ



Κουμπί λειτουργίας



Ρυθμίσεις ταχύτητας ανεμιστήρα

Επιλέξτε ταχύτητα ανεμιστήρα ή την αυτόματη λειτουργία (AUTO).

Στη λειτουργία AUTO, ο καθαριστής αέρα προσαρμόζει αυτόματα την ταχύτητα ανεμιστήρα με βάση τις μετρήσεις ποιότητας αέρα από το SensorPod.

(Η λειτουργία AUTO είναι διαθέσιμη μόνο όταν ο καθαριστής αέρα είναι συνδεδεμένος με το SensorPod και λαμβάνει σήμα από αυτό.)



Νυχτερινή λειτουργία

Ο φωτισμός της οθόνης ενδείξεων απενεργοποιείται, για χρήση κατά τον ύπνο, χωρίς να περιορίζεται η αποτελεσματικότητα του καθαριστή αέρα.

Απλά πατήστε ξανά το κουμπί για να επανέλθουν όλες οι δυνατότητες της οθόνης ενδείξεων.




Λειτουργία χρονοδιακόπτη


Ο καθαριστής αέρα θα απενεργοποιηθεί αυτόματα μετά από 2, 4, 8 ή 12 ώρες.

Για να ακυρώσετε αυτήν την αντίστροφη μέτρηση, απλά πατήστε το κουμπί μέχρι να μην εμφανίζεται καμία ρύθμιση χρονοδιακόπτη.

UV

Λειτουργία UV

Η λυχνία UV-C στον θάλαμο φίλτρου του καθαριστή αέρα είναι ενεργοποιημένη μόνο όταν το σύμβολο  είναι λευκό.

Το σύμβολο  θα ανάψει με κόκκινο χρώμα όταν πρέπει να αντικαταστήσετε τη λυχνία UV-C.

(Για οδηγίες, ανατρέξτε στη σελίδα 355.)

Reset

Επαναφορά ενδεικτικών λυχνιών φίλτρων και UV

Οι ενδεικτικές λυχνίες «HEPA», «Carbon» και «UV» ανάβουν με κόκκινο χρώμα όταν πρέπει να αντικατασταθεί το καθένα από αυτά.

Όταν είναι αναμμένη 1 ενδεικτική λυχνία, απλά κρατήστε πατημένο το κουμπί Reset επί 3 δευτερόλεπτα για επαναφορά της συγκεκριμένης ενδεικτικής λυχνίας.

Όταν είναι αναμμένες 2 ή περισσότερες ενδεικτικές λυχνίες, πατήστε το κουμπί Reset για να επιλέξετε την κατάλληλη ενδεικτική λυχνία (η επιλεγμένη ενδεικτική λυχνία θα αναβοσβήνει) και, στη συνέχεια, κρατήστε το πατημένο επί 3 δευτερόλεπτα για επαναφορά της συγκεκριμένης ενδεικτικής λυχνίας.

(Για οδηγίες αντικατάστασης, ανατρέξτε στις σελίδες 353-355. Ακολουθήστε τις παραπάνω οδηγίες επαναφοράς της ενδεικτικής λυχνίας αφού αντικαταστήσετε κάποιο φίλτρο.)

ΕΝΔΕΙΞΗ ΠΟΙΟΤΗΤΑΣ ΑΕΡΑ

Πληροφορίες σε πραγματικό χρόνο

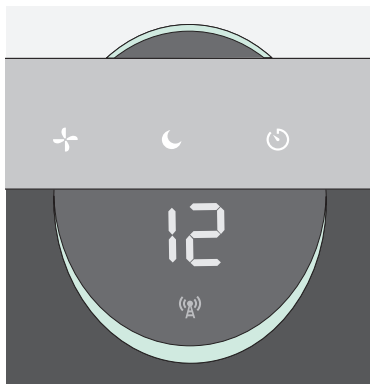
Το επαναστατικό SensorPod™ αξιολογεί την κατάσταση του αέρα, μετρώντας τόσο τα μικρά (PM 2,5) όσο και τα μεγαλύτερα (PM 10) σωματίδια. Υπολογίζει τη συνολική ποιότητα αέρα χρησιμοποιώντας έναν μοναδικό αλγόριθμο που ανταποκρίνεται στις πραγματικές αυξήσεις των ρύπων, χωρίς να αντιδρά υπερβολικά σε κάποιον που μπαίνει στο δωμάτιο ή κάθεται στον καναπέ.

Η φωτεινή ένδειξη με χρωματική κωδικοποίηση υποδεικνύει καλή, μέτρια ή κακή ποιότητα αέρα και μια αριθμητική τιμή παρέχει περισσότερες λεπτομέρειες.

Στη λειτουργία AUTO, ο καθαριστής αέρα προσαρμόζει αυτόματα την ταχύτητα ανεμιστήρα σύμφωνα με αυτές τις μετρήσεις ποιότητας αέρα.

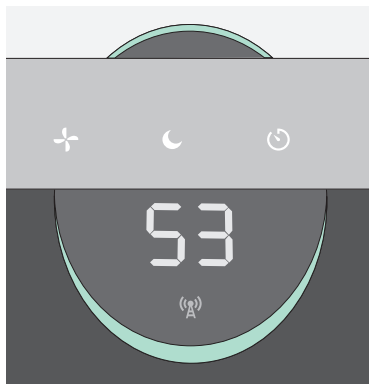
ΚΑΛΗ

ΜΠΛΕ | 0 - 50



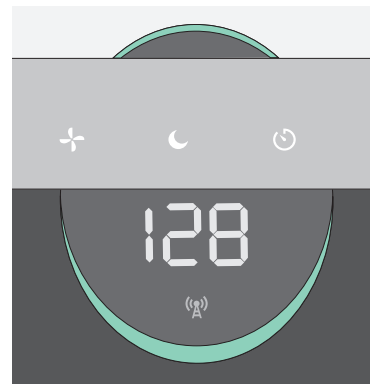
ΜΕΤΡΙΑ

ΚΙΤΡΙΝΟ | 50 - 100



ΚΑΚΗ

ΚΟΚΚΙΝΟ | 100 - 500



Η συσκευή TruSens χρησιμοποιεί τον Δείκτη ποιότητας αέρα (1-500) που δημιουργήθηκε από την Υπηρεσία προστασίας του περιβάλλοντος (EPA) των Η.Π.Α.

ΠΡΟΔΙΑΓΡΑΦΕΣ

Είσοδος αέρα	360°
Ανανέωση αέρα 2 φορές την ώρα	70 m ²
Τύπος παροχής αέρα	PureDirect™
Αισθητήρας	SensorPod™, λειτουργεί σε απόσταση έως και 15 m από τον καθαριστή αέρα
Ρυθμίσεις ταχύτητας ανεμιστήρα	Whisper, 1, 2, 3, Turbo
Επίπεδα καθαρισμού	Πλενόμενο προφίλτρο, Φίλτρο ενεργού άνθρακα, HEPA, Λυχνία UV-C
Ρυθμίσεις χρονοδιακόπτη	2, 4, 8, 12 ώρες
Ενδεικτικές λυχνίες αλλαγής φίλτρου	Carbon, HEPA, UV
Θόρυβος	32 - 66 dB
Διαστάσεις	263 x 263 x 726 mm
Βάρος	5,7 kg
Τύπος κινητήρα	Κινητήρας DC
Απαιτήσεις τροφοδοσίας	220-240v 50/60H 0,5A
Κατανάλωση ισχύος	68 W
Εγγύηση	2 έτη

Ανταλλακτικά φίλτρα και λυχνία UV-C

Κυλινδρικό φίλτρο HEPA 3 σε 1	2415110
Φίλτρο ενεργού άνθρακα (3 ανά συσκευασία)	2415109
Λυχνία UV-C	2415111

ΦΡΟΝΤΙΔΑ ΚΑΙ ΣΥΝΤΗΡΗΣΗ

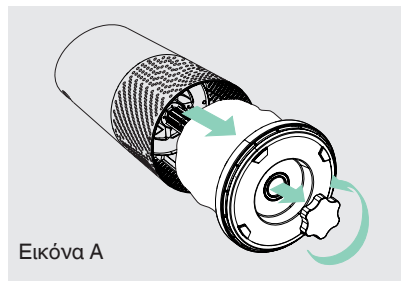
Πρόσβαση στον θάλαμο φίλτρου

1. Πάντα να απενεργοποιείτε τον καθαριστή αέρα, πατώντας το κουμπί λειτουργίας και αποσυνδέοντας το καλώδιο ρεύματος από την πρίζα.
2. Τοποθετήστε προσεκτικά τη μονάδα πλαγιαστά στο δάπεδο, έτσι ώστε το κάλυμμα του θαλάμου φίλτρου και το περιστροφικό κουμπί να είναι εκτεθειμένα.
3. Περιστρέψτε το περιστροφικό κουμπί αριστερόστροφα και αφαιρέστε το κάλυμμα του θαλάμου φίλτρου και το κυλινδρικό φίλτρο HEPA 360° (Εικόνα Α).

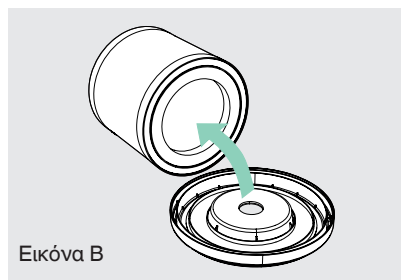
ΑΝΤΙΚΑΤΑΣΤΑΣΗ ΦΙΛΤΡΟΥ HEPA

1. Η ενδεικτική λυχνία φίλτρου HEPA θα ανάψει με κόκκινο χρώμα όταν πρέπει να αντικαταστήσετε ολόκληρο το κυλινδρικό φίλτρο HEPA.
2. Τραβήξτε προσεκτικά το κυλινδρικό φίλτρο HEPA μακριά από τη θέση όπου είναι στερεωμένο στο κάλυμμα φίλτρου (Εικόνα Β).
3. Στερεώστε το ανταλλακτικό φίλτρο HEPA στο κάλυμμα φίλτρου (Εικόνα C).
4. Τοποθετήστε προσεκτικά το κάλυμμα φίλτρου και το κυλινδρικό φίλτρο μέσα στον θάλαμο φίλτρου και πάνω στο σπειρώμα και, στη συνέχεια, περιστρέψτε το περιστροφικό κουμπί δεξιόστροφα μέχρι το περιστροφικό κουμπί και το κάλυμμα φίλτρου να σφίξουν καλά (Εικόνα D).
5. Συνδέστε στην πρίζα και ενεργοποιήστε τον καθαριστή αέρα και, στη συνέχεια, κρατήστε πατημένο το κουμπί Reset μέχρι να σβήσει η κόκκινη ενδεικτική λυχνία φίλτρου HEPA.

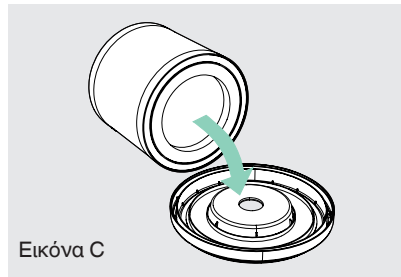
Σημείωση: Το κυλινδρικό φίλτρο HEPA (δείτε τη σελίδα 352) περιλαμβάνει 3 στρώματα: Πλενόμενο προφίλτρο, Φίλτρο ενεργού άνθρακα και Φίλτρο HEPA.



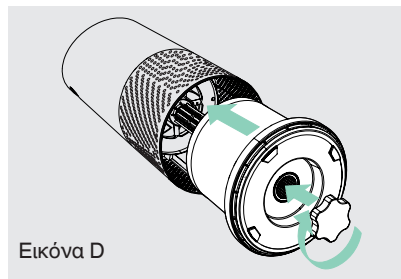
Εικόνα Α



Εικόνα Β



Εικόνα C



Εικόνα D

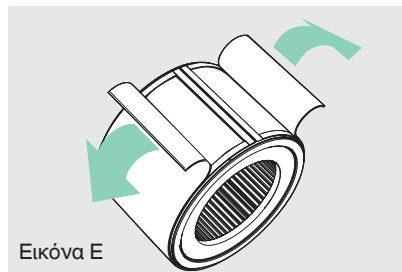
ΑΝΤΙΚΑΤΑΣΤΑΣΗ ΦΙΛΤΡΟΥ ΕΝΕΡΓΟΥ ΑΝΘΡΑΚΑ

1. Η ενδεικτική λυχνία φίλτρου άνθρακα θα ανάψει με κόκκινο χρώμα όταν πρέπει να αντικαταστήσετε το στρώμα άνθρακα.
2. Αφαιρέστε προσεκτικά το προφίλτρο από τις συνδετικές ταινίες (Εικόνα Ε).
3. Αφαιρέστε προσεκτικά το χρησιμοποιημένο στρώμα άνθρακα από τις συνδετικές ταινίες (Εικόνα F).
4. Τυλίξτε ένα νέο στρώμα άνθρακα γύρω από το κυλινδρικό φίλτρο και προσαρτήστε το στις ίδιες συνδετικές ταινίες (Εικόνα G).
5. Τυλίξτε το προφίλτρο γύρω από το στρώμα άνθρακα και προσαρτήστε το στις συνδετικές ταινίες (Εικόνα Η).
6. Αφού ενεργοποιηθεί ο καθαριστής αέρα, κρατήστε πατημένο το κουμπί Reset μέχρι να σβήσει η κόκκινη ενδεικτική λυχνία φίλτρου άνθρακα.

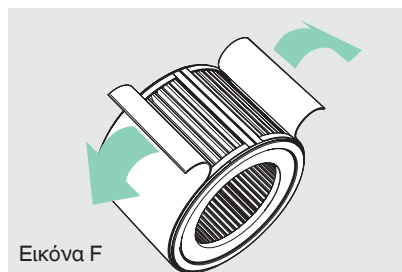
Σημείωση: η συσκευασία 3 φίλτρων ενεργού άνθρακα (δείτε τη σελίδα 352) καλύπτει τις 3 αλλαγές φίλτρου άνθρακα που απαιτούνται ανάμεσα σε κάθε αλλαγή κυλινδρικού φίλτρου HEPA (δείτε τη σελίδα 353).

ΠΛΥΣΙΜΟ ΤΟΥ ΠΡΟΦΙΛΤΡΟΥ

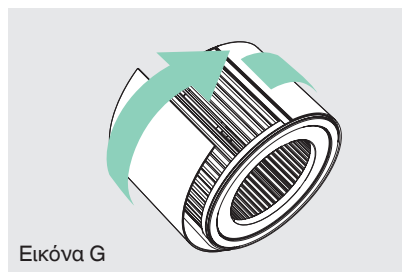
1. Συνιστούμε να επιθεωρείτε οπτικά το προφίλτρο κάθε μήνα και να το καθαρίζετε όποτε απαιτείται. Θα πρέπει να πλένετε με το χέρι το προφίλτρο τουλάχιστον κάθε φορά που αλλάζετε το φίλτρο ενεργού άνθρακα.
2. Αφαιρέστε προσεκτικά το πλενόμενο προφίλτρο από τις συνδετικές ταινίες (Εικόνα Ε).
3. Ξεπλύνετε προσεκτικά με τρεχούμενο νερό και αφήστε το προφίλτρο να στεγνώσει στον αέρα προτού το επανατοποθετήσετε.
4. Τυλίξτε το προφίλτρο γύρω από το κυλινδρικό φίλτρο και προσαρτήστε το στις συνδετικές ταινίες (Εικόνα Η).



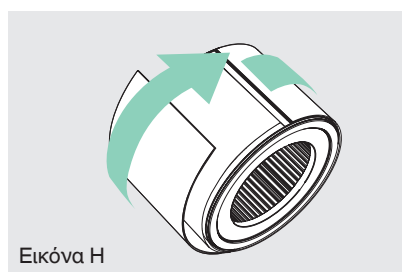
Εικόνα Ε



Εικόνα F



Εικόνα G

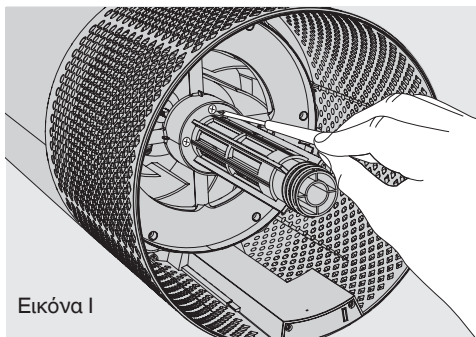


Εικόνα Η

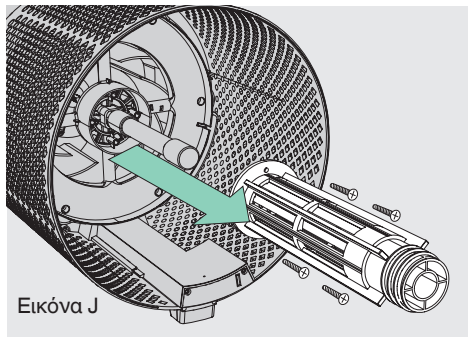
ΑΝΤΙΚΑΤΑΣΤΑΣΗ ΛΥΧΝΙΑΣ UV-C

1. Η ενδεικτική λυχνία λ θα ανάψει με κόκκινο χρώμα όταν πρέπει να αντικαταστήσετε τη λυχνία UV-C.
2. Αφαιρέστε το κυλινδρικό φίλτρο HEPA (Εικόνα A) και χρησιμοποιήστε ένα κατσαβίδι για να αφαιρέσετε τις 4 βίδες που στερεώνουν το περίβλημα UV (Εικόνα I).
3. Αφαιρέστε προσεκτικά το περίβλημα UV (Εικόνα J).
4. Αποσυνδέστε τη λυχνία UV-C από την υποδοχή του καθαριστή αέρα (Εικόνα K).
5. Η ανταλλακτική λυχνία UV-C (δείτε τη σελίδα 352) θα συνδεθεί απευθείας στην ίδια υποδοχή (Εικόνα L).
6. Τοποθετήστε ξανά στη θέση του το περίβλημα UV και χρησιμοποιήστε ένα κατσαβίδι για να σφίξετε τις βίδες στερέωσης.
7. Αφού ενεργοποιηθεί ο καθαριστής αέρα, κρατήστε πατημένο το κουμπί Reset μέχρι η λ ενδεικτική λυχνία να ανάψει με λευκό χρώμα.

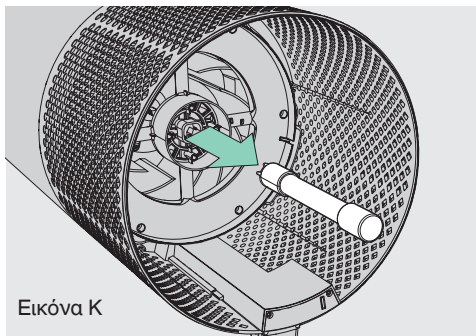
Σημείωση: Κατά την αντικατάσταση του πομπού UV-C παρακαλούμε να τον διαθέσετε στην τοπική μονάδα συλλογής των ΑΗΗΕ.



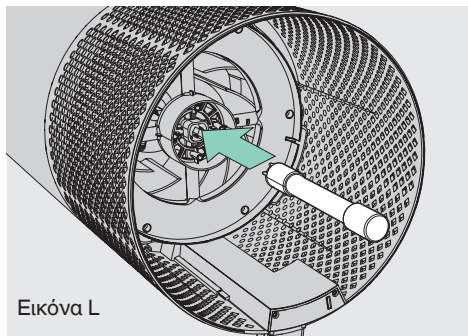
Εικόνα I



Εικόνα J



Εικόνα K



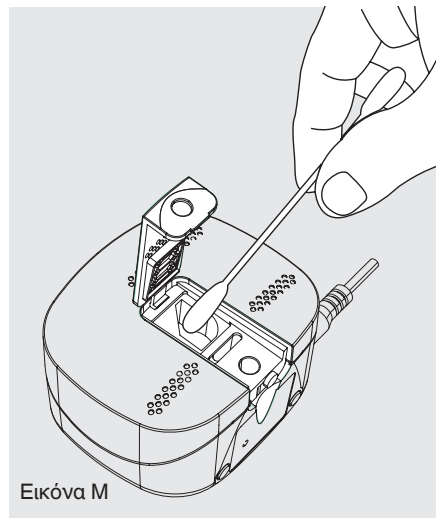
Εικόνα L

ΚΑΘΑΡΙΣΜΟΣ ΤΟΥ SENSORPOD™

Καθαρισμός του αισθητήρα ποιότητας αέρα

Το SensorPod™ χρησιμοποιεί υπέρυθρο φως για να ανιχνεύει σωματίδια, οπότε είναι σημαντικό να καθαρίζετε τον θάλαμο του αισθητήρα σκόνης κάθε 1-2 μήνες για να απομακρύνετε τυχόν σκόνη ή σωματίδια που ενδέχεται να επηρεάσουν την ακρίβεια των μετρήσεων του αισθητήρα.

1. Απενεργοποιήστε το SensorPod αποσυνδέοντας το καλώδιο ρεύματος από την πρίζα.
2. Ανοίξτε τη θύρα εύκολης πρόσβασης στην μπροστινή πλευρά, ανασκλώνοντάς την υπό γωνία 90°.
3. Χρησιμοποιήστε μια υγρή μπατονέτα για να σκουπίσετε τον φακό και την περιοχή της εισαγωγής του αισθητήρα σκόνης (Εικόνα Μ).
4. Χρησιμοποιήστε μια στεγνή μπατονέτα για να απομακρύνετε την υγρασία που απομένει.
5. Κλείστε το κάλυμμα χαμηλώνοντάς το και σύροντάς το ξανά στη θέση του, μέχρι να ακούσετε έναν ήχο ασφάλισης.



ΣΥΝΗΘΕΙΣ ΕΡΩΤΗΣΕΙΣ ΚΑΙ ΑΝΤΙΜΕΤΩΠΙΣΗ ΠΡΟΒΛΗΜΑΤΩΝ

<p>Πού πρέπει να τοποθετήσω το SensorPod™;</p>	<p>Σε οποιοδήποτε σημείο θέλετε να μετρήσετε την ποιότητα του αέρα στο δωμάτιο!</p> <p>Για βέλτιστα αποτελέσματα, τοποθετήστε το SensorPod™ σε απόσταση έως και 15 μέτρα από τον καθαριστή αέρα, πάνω σε μια επιφάνεια εργασίας ή ένα τραπέζι, σε σημείο που έχει οπτική επαφή με τον καθαριστή αέρα. Στην αυτόματη λειτουργία, ο καθαριστής αέρα θα συνεχίζει να παρέχει καθαρό αέρα μέχρι το SensorPod™ να ανιχνεύσει ένα αποδεκτό επίπεδο ποιότητας αέρα.</p>
<p>Πόσο συχνά χρειάζεται να αλλάζω τα φίλτρα;</p>	<p>Αυτό είναι εύκολο! Οι ενδεικτικές λυχνίες αντικατάστασης του καθαριστή αέρα θα σας ειδοποιήσουν όταν πρέπει να αντικαταστήσετε το φίλτρο άνθρακα, το φίλτρο HEPA ή τη λυχνία UV-C.</p> <p>Προγραμματίστε την αντικατάσταση του φίλτρου ενεργού άνθρακα κάθε 3-4 μήνες, του φίλτρου HEPA κάθε 12-15 μήνες και της λυχνίας UV-C κάθε 1-3 έτη.</p>
<p>Πόσο συχνά χρειάζεται να πλένω το προφίλτρο;</p>	<p>Το προφίλτρο αιχμαλωτίζει μεγαλύτερα σωματίδια και διατηρεί την αποδοτικότητα των άλλων φίλτρων, οπότε σας συνιστούμε να επιθεωρείτε οπτικά το προφίλτρο κάθε μήνα και να το πλένετε όποτε απαιτείται. Μια άλλη καλή συνήθεια είναι να πλένετε το προφίλτρο κάθε φορά που αντικαθιστάτε το φίλτρο άνθρακα.</p>
<p>Πόσο συχνά χρειάζεται να καθαρίζω τον αισθητήρα σκόνης στο SensorPod;</p>	<p>Για την ακριβέστερη δυνατή μέτρηση της ποιότητας αέρα, θα σας συνιστούσαμε να καθαρίζετε την επιφάνεια του αισθητήρα σκόνης κάθε 1-2 μήνες.</p>
<p>Ο καθαριστής αέρα δεν ενεργοποιείται.</p>	<p>Βεβαιωθείτε ότι το καλώδιο ρεύματος είναι συνδεδεμένο καλά τόσο στην πρίζα τοίχου όσο και στον καθαριστή αέρα. Ελέγξτε αν υπάρχει διακοπή τροφοδοσίας από την πρίζα, δοκιμάζοντας ένα κοντινό φωτιστικό ή μια λειτουργική συσκευή στην ίδια πρίζα.</p> <p>Βεβαιωθείτε ότι το φίλτρο HEPA είναι τοποθετημένο σωστά στον θάλαμο φίλτρου.</p> <p>Επικοινωνήστε μαζί μας αν εξακολουθείτε να αντιμετωπίζετε κάποιο πρόβλημα! (σελίδα 359)</p>

ΣΥΝΗΘΕΙΣ ΕΡΩΤΗΣΕΙΣ ΚΑΙ ΑΝΤΙΜΕΤΩΠΙΣΗ ΠΡΟΒΛΗΜΑΤΩΝ

<p>Ο καθαριστής αέρα δεν μεταβαίνει στην αυτόματη λειτουργία. ή Οι ενδείξεις ποιότητας αέρα δεν εμφανίζονται. ή Η ένδειξη σήματος αισθητήρα του καθαριστή αέρα αναβοσβήνει.</p>	<p>Αρχικά, βεβαιωθείτε ότι το SensorPod είναι συνδεδεμένο στην πρίζα και ότι η ενδεικτική λυχνία του είναι σταθερά αναμμένη.</p> <p>Στη συνέχεια, βεβαιωθείτε ότι το SensorPod βρίσκεται εντός της εμβέλειας του καθαριστή αέρα (έως και 15 m).</p> <p>Αν ισχύουν και τα δύο, αλλά η σύνδεση εξακολουθεί να αποτυγχάνει, ανατρέξτε στις παρακάτω οδηγίες σχετικά με την αποκατάσταση της σύνδεσης του SensorPod.</p>
<p>Έχασα το SensorPod μου!</p>	<p>Μην ανησυχείτε! Επικοινωνήστε με την ομάδα υποστήριξης πελατών μας, για να παραγγείλετε ένα ανταλλακτικό SensorPod. Ακολουθήστε τις παρακάτω οδηγίες εύκολης σύνδεσης για να συνδέσετε το ανταλλακτικό SensorPod με τον καθαριστή αέρα που έχετε!</p>

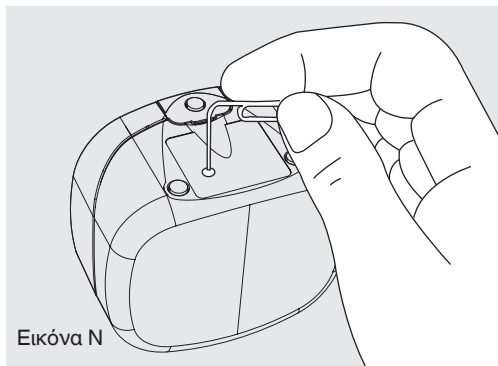
Σύνδεση του SensorPod™ με τον καθαριστή αέρα

Το SensorPod επικοινωνεί με τον καθαριστή αέρα χρησιμοποιώντας σήματα ραδιοσυχνότητας, ενώ συνδέεται στη γραμμή παραγωγής και είναι έτοιμο για χρήση όταν ανοίγετε το κουτί. Στη σπάνια περίπτωση που το σήμα έχει διακοπεί, η ένδειξη σήματος αισθητήρα του καθαριστή αέρα αναβοσβήνει. Μπορείτε να αποκαταστήσετε τη σύνδεση με λίγα εύκολα βήματα.

1. Αποσυνδέστε το SensorPod από την πρίζα.
2. ΚΡΑΤΗΣΤΕ ΠΑΘΜΕΝΟ το κουμπί λειτουργίας στον καθαριστή αέρα επί 3 δευτερόλεπτα, μέχρι να ακούσετε δύο κουδουνίσματα.
3. Συνδέστε το SensorPod στην πρίζα και χρησιμοποιήστε κάποιο αντικείμενο με λεπτή μύτη (συνδετήρα) για να πατήσετε και να

ΚΡΑΤΗΣΤΕ ΠΑΘΜΕΝΟ το κουμπί σύνδεσης στο κάτω μέρος του SensorPod επί 5-7 δευτερόλεπτα (Εικόνα N).

4. Η σύνδεση έχει πραγματοποιηθεί όταν ανάψει σταθερά η ένδειξη σήματος αισθητήρα του καθαριστή αέρα και εμφανιστούν οι ενδείξεις ποιότητας αέρα.



Εικόνα N

ΕΓΓΥΗΣΗ

Η λειτουργία της συσκευής είναι εγγυημένη για δύο χρόνια από την ημερομηνία αγοράς της, υπό τον όρο ότι υποβάλλεται σε συνηθισμένη χρήση. Εντός της περιόδου της εγγύησης, η ACCO, κατά τη διακριτική της ευχέρεια, είτε θα επισκευάσει είτε θα αντικαταστήσει δωρεάν την ελαττωματική συσκευή. Η εγγύηση δεν καλύπτει ελαττώματα που οφείλονται σε κακομεταχείριση ή σε χρήση για ακατάλληλο σκοπό. Απαιτείται απόδειξη της ημερομηνίας αγοράς. Επισκευές ή τροποποιήσεις που γίνονται από άτομα που δεν είναι εξουσιοδοτημένα από την ACCO ακυρώνουν την εγγύηση. Σκοπός μας είναι να εξασφαλίσουμε ότι τα προϊόντα μας έχουν επιδόσεις σύμφωνες με τις αναφερόμενες προδιαγραφές. Η παρούσα εγγύηση δεν επηρεάζει τα από του νόμου απορρέοντα δικαιώματα τα οποία έχουν οι καταναλωτές, σύμφωνα με τη νομοθεσία που ισχύει στη χώρα τους, που αφορά την πώληση αγαθών.

ΥΠΟΣΤΗΡΙΞΗ

Ευχαριστούμε που καλωσορίσατε το TruSens™ στο σπίτι σας. Οι πελάτες μας αποτελούν για εμάς απόλυτη προτεραιότητα και στόχος μας είναι να σχεδιάζουμε προϊόντα που ταιριάζουν στον τρόπο ζωής σας. Αν έχετε οποιοσδήποτε ερωτήσεις ή σχόλια, επικοινωνήστε μαζί μας!

Επισκεφτείτε τη διαδικτυακή τοποθεσία μας στη διεύθυνση www.leitz.com/trusens

Στείλτε μας μήνυμα ηλεκτρονικού ταχυδρομείου στη διεύθυνση fotini.sakelari@acco.com

Καλέστε μας στον αριθμό τηλεφώνου **+30 2106516290**

Για να εγγραφείτε και να ενεργοποιήσετε την εγγύησή σας www.leitz.com/register

TruSens™

TruSens ile temiz havaya hoş geldiniz. Zindeliğe giden bu yolda size eşlik etmemize izin verdiğiniz için teşekkür ederiz.

Odanın neresinde olursanız olun, soluduğunuz hava temiz olmalıdır. TruSens SensorPod™, PureDirect™ Teknolojisi ve 360 Derece Filtreleme, odanın tamamındaki havanın daha temiz olmasını sağlar.

GÜVENLİK BİLGİLERİ

BU TALİMATLARI OKUYUN VE SAKLAYIN

Filtreleri veya UV-C emitörünü değiştirmeden önce veya cihaz kullanılmadığında cihazın fişini güç kaynağından çekin.



UYARI: Elektrik çarpması veya yangın riskini azaltmak için bu hava temizleyici, bir katı hal hız kontrol cihazı ile kullanılmamalıdır.

Hava temizleyiciyi hasar görmüş bir kablo veya fiş ile çalıştırmayın ve gevşemiş bir duvar prizine takmayın. Güç kablosu hasar görmüş ise tehlikeden kaçınmak için imalatçı, bakım sorumlusu veya yetkili kişiler tarafından değiştirilmelidir.

Kabloyu halıların, kilimlerin, yollukların veya benzer örtülerin altından geçirmeyin. Kabloyu mobilyalar veya cihazların altından geçirmeyin. Kabloyu sık geçilen yerlerden ve takılıp düşme tehlikesinin olabileceği yerlerden uzak tutun.



UYARI: Bu cihazdaki UV-C emitörünün yaydığı ışığı doğrudan bakılması, cilde veya göze zarar verebilir. Cihazın uygunsuz kullanımı veya gövdesine zarar verilmesi, tehlikeli UV-C radyasyonunun yayılmasına neden olabilir. UV-C radyasyonu, küçük dozlarda dahi gözlere ve cilde zarar verebilir. Lambayı değiştirmeden veya bakımdan önce her zaman makinenin güç kaynağıyla bağlantısını kesin. UV-C emitörünü yenilemeniz gerektiğinde ACCO Brands tarafından üretilen 2415108 (Z-2000 için) veya 2415111 (Z-3000 için) numaralı kullanın.

- Cihazı kullanmadan önce filtrenin içinde bulunduğu torba dâhil olmak üzere tüm ambalajları çıkarın.
- Gözle görülür bir şekilde hasar görmüş cihazlar çalıştırılmamalıdır.
- Bu cihaz, sadece tedarik edilen fiş türüne ve anma değeri plakasındaki değere uygun bir duvar prizine bağlanmalıdır.
- Hava temizleyiciyi duvar prizinin yakınına yerleştirin ve uzatma kablosu kullanmayın.
- Bu cihaz, gözlem altında tutulan ya da cihazın güvenli bir şekilde kullanımı ve ilgili tehlikeler hususunda bilgilendirilmiş olmaları şartıyla, 8 yaşından büyük çocuklar ve fiziksel, duyuşal veya zihinsel kabiliyetleri kısıtlı ya da deneyimi ve bilgisi olmayan kişiler tarafından kullanılabilir.
- Çocuklar bu cihaz ile oynamamalı, cihazın temizliğini ve bakımını yapmaya çalışmamalıdır.
- UV-C emitörünü değiştirmeniz gerektiğinde bu kılavuzda belirtilen modeli kullanın.
- Bu ürünün bakımını veya onarımını kendiniz yapmaya çalışmayın.
- Hava temizleyiciyi ve SensorPod™'u sadece tedarik edilen güç kablosu ile kullanın.
- Bu makineyi sadece nemli bir bez ile temizleyin, çözücü veya ağartıcı maddeler kullanmayın.
- Cihazı çalıştırmadan önce cihazın sabit ve düz bir yüzeye yerleştirildiğinden emin olun.
- Hava giriş ve çıkış deliklerini kapatmayın veya engellemeyin.
- Hava giriş ve çıkış deliklerine parmaklarınızı veya başka cisimleri sokmayın.
- Hava temizleyici bekleme modundayken SensorPod™, sinyal/veri iletmeye devam eder.

Çalışma Frekansı

Kablosuz: 2462 MHz

Azami Gönderilen Güç (EIRP)

Kablosuz: 0 dBm

Anten Kazancı

Kablosuz: 2 Dbi

ACCO UK Ltd, işbu belge ile Leitz TruSens Air Purifier Z-2000/Z-3000 telsiz ekipmanı modellerinin 2014/53/EU sayılı yönetmeliğe uygun olduğunu beyan eder.

AB uygunluk beyanının tüm metnini aşağıdaki internet adresinde bulabilirsiniz:

<https://declarations.accobrands.com/>.

Radyo frekansına maruz kalma şartlarına uyum sağlamak için, kullanıcının vücudu ile cihaz arasında en az 0,2 m'lik bir ayırım mesafesi korunmalıdır.

Elektrikli ve Elektronik Ekipman Atıkları (EEEE)

Kullanım ömürleri sonlandığında ürününüz EEEA niteliğine kavuşur. Bu nedenle şunları dikkate almanız gerekmektedir:

EEEE sınıflandırılmamış kentsel atıklarla birlikte atılmamalıdır. Parça ve materyallerinin geri dönüşümü, yeniden kullanımı ve (elektrik üretiminden enerji kazanımı için bir yakıt olarak) geri kazanımı için parçalarına ayrılmak üzere ayrı olarak toplanmalıdır.

Belediyeler tarafından, EEEA'nın toplanması için ücretsiz olarak kullanımınıza sunulmuş kamusal toplama noktaları oluşturulmuştur.

Lütfen EEEA'nızı evinize veya işyerinize en yakın olan toplama tesisine götürün.

Bir toplama tesisi bulmakta zorluk yaşıyorsanız, size ürünü satan bayi, EEEA'nızı alacaktır.

Bayinizle irtibat halinde değilseniz, lütfen bu konuyla ilgili yardım almak üzere ACCO'ya danışın.

EEEE'nin geri dönüşümü; çevrenin korunması, insan sağlığının korunması, hammaddelerin korunması, sürdürülebilir kalkınmanın geliştirilmesi ve Avrupa Birliği'nde ürünlerin daha iyi bir şekilde tedarik edilmesinin sağlanmasına yöneliktir. Bu, değerli ikincil hammaddelerin yeniden kazanılması ve atık imhasının azaltılması ile mümkün olacaktır. EEEA'nızı bir toplama tesisine götürerek bu amaçların gerçekleşmesine katkıda bulunabilirsiniz.

Ürününüzün üzerinde EEEA sembolü vardır (üzerinde bir X işareti olan çöp konteynırı). Bu sembol, EEEA'nın sınıflandırılmamış kentsel atıklarla aynı şekilde imha edilmemesi gerektiğini belirtir.

Leitz TruSens hava temizleyicileri ayrıca bir UV-C yayıcı ile donatılmıştır. Bu ürünün değiştirilmesi üzerine (ürünün ömrü boyunca), bunlar ayrıca yerel WEEE toplama tesisinde iade edilmeli ve imha edilmelidir.

UV-C yayıcı için daha fazla bilgi ve kurulum kılavuzları / videoları www.leitz.com adresinde bulabilirsiniz.

ÖNE ÇIKAN ÖZELLİKLER



SensorPod™

Tam da ihtiyacınız olan yerde havanın daha temiz olmasını sağlayan uzaktan hava kalitesi izleyicisi



PureDirect™ Teknolojisi

Bağımsız laboratuvarların test sonuçları, havanın odanın tamamında daha etkin şekilde ve daha fazla rahatlık sağlayarak hareket edebilmesi için iki hava akışının bir tanesinden daha iyi olduğunu doğruluyor.



Bilgi verir ve uyum sağlar

Renk kodlu ışıklı halka, hava kalitesini gerçek zamanlı olarak bildirerek ek bilgiler verir.



360° Temizleme

HEPA filtre, her yönden gelen kirleticileri ve VOC (Uçucu Organik Bileşikler) gazları/kokuları yakalar. UV-C ışığı, filtrenin içine hapsedilen mikropları ve bakterileri öldürür.

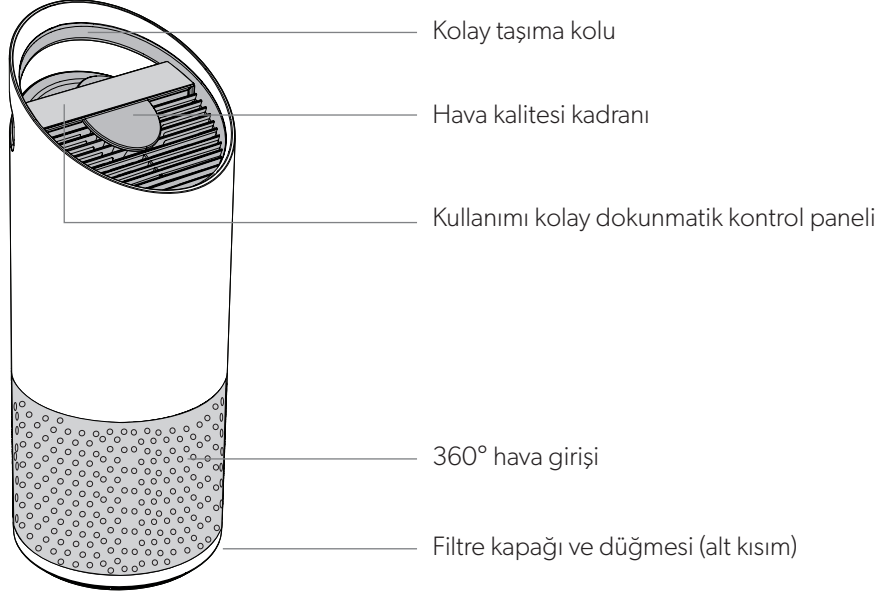


Düşünceli Çalışma Şekli

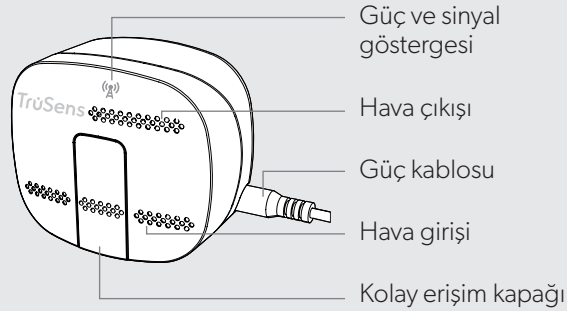
Her ortama uyan modern bir tasarımla sunulan olağanüstü işlevsellik.

ÜRÜNE GENEL BAKIŞ

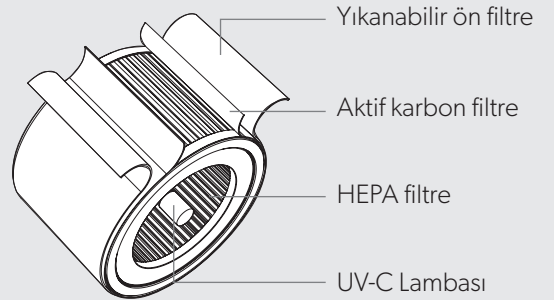
Hava Temizleyici



SensorPod™



Filtre ve UV-C Lambası

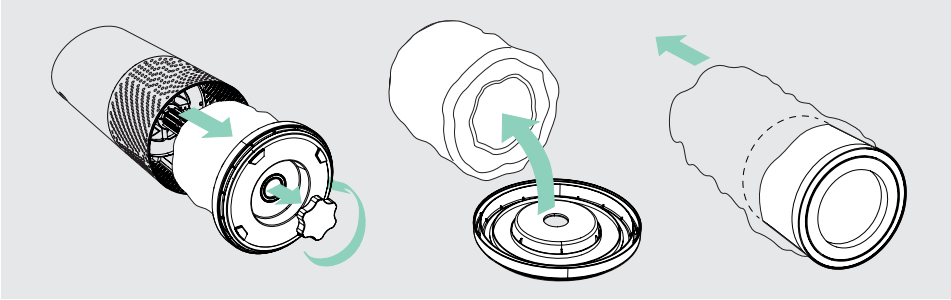


BAŞLARKEN



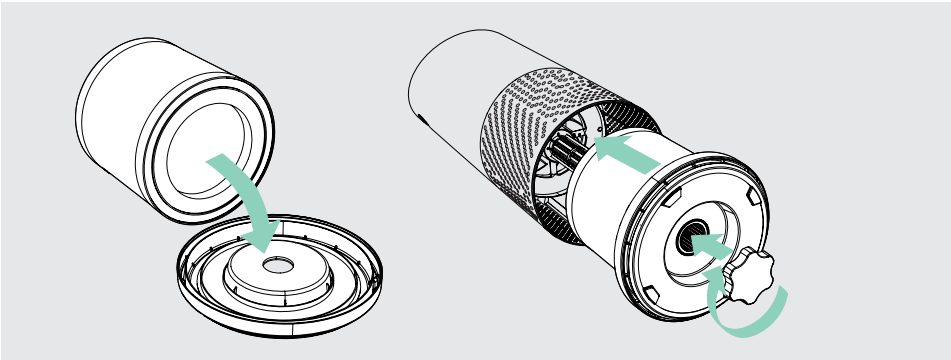
1. Filtreyi plastik torbasından çıkarın

Altaki kapağı vidalarını gevşeterek açın ve filtreyi içinde bulunduğu plastik torbadan çıkarın.



2. Filtreyi yeniden takın

Filtreyi alttaki kapağa takın ve tekrar hava temizleyicinin içine yerleştirin.



3. Kurulum

SensorPod'unuzu fişe takın.

SensorPod'u odanın diğer ucundaki bir çalışma yüzeyi veya masa üzerine, hava temizleyicinin görüş hattında olacak şekilde dik olarak yerleştirin.

Hava temizleyicinin fişini prize takın ve cihazı çalıştırın.

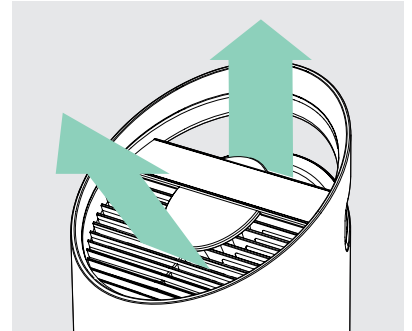
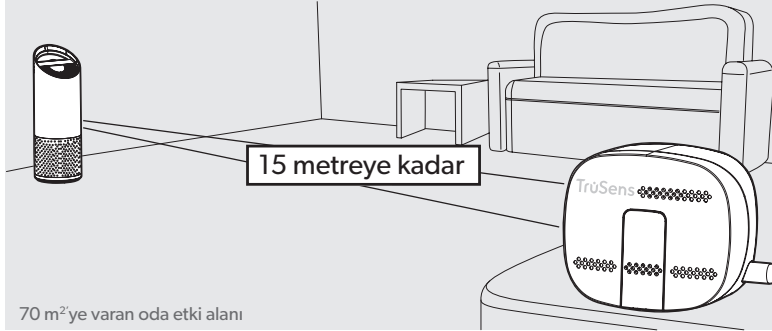
Hava temizleyiciyi düz bir yüzeye, önünü kapatacak cisimlerin bulunmadığı

- hava temizleyicinin her tarafından serbestçe hava akışı alabileceği bir yere
- nevresim ve perde gibi eşyalardan, ayrıca ısı veya nem kaynaklarından uzağa yerleştirin.

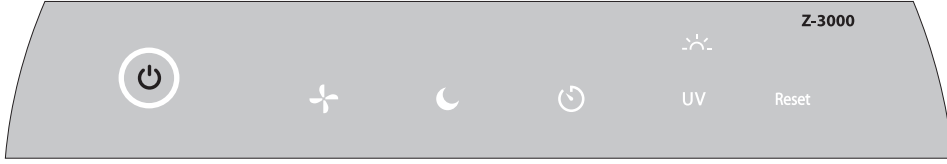
Sinyal gücü konuma göre değişebilir. Sinyalin çalışmadığı nadir durumlarda sayfa 375'e bakın.

4. Daha temiz havayla yaşamaya başlayın!

Hava temizleyici, SensorPod'dan aldığı hava kalitesi değerlerine göre fan hızlarını otomatik olarak ayarlar. Eşsiz PureDirect™ teknolojisiye tüm odaya temiz hava verir.



KONTROL PANELİ



Güç Düğmesi



Fan Hızı Ayarları

Fan hızını veya AUTO modunu seçin.

AUTO modundayken, hava temizleyici SensorPod'dan aldığı hava kalitesi değerlerine göre fan hızını otomatik olarak ayarlar.

(AUTO modu sadece hava temizleyici SensorPod ile eşleştirildiğinde ve sinyal alırken kullanılabilir.)



Gece Modu

Uyurken kullanabilmeniz için, kadrana aydınlatması, hava temizleyicinin etkinliğini düşürmeden kapanır. Tüm kadrana özelliklerini yeniden görüntülemek için düğmeye tekrar basmanız yeterlidir.



Zamanlayıcı Modu

Hava temizleyici 2, 4, 8 veya 12 saat sonra otomatik olarak kapanır. Bu geri sayımı iptal etmek için zamanlayıcı ayarı kaybolana kadar düğmeyi basılı tutun.



UV Modu

☀️ simgesi beyaz renkte yanıyorsa hava temizleyicinin filtre haznesindeki UV-C lambası açıktır.

☀️ simgesi, UV-C lambasının değiştirilmesi gerektiğinde kırmızı renkte yanar.

(Talimatlar için sayfa 372'e bakın).

Reset

Filtre ve UV Göstergelerinin Sıfırlanması

"HEPA", "Carbon" ve "UV" göstergelerinin her biri, bu parçalardan her birinin değiştirilmesi gerektiğinde kırmızı renkte yanarlar.

Bir gösterge yanarken, o göstergeyi sıfırlamak için Reset (Sıfırla) düğmesini basılı tutmanız yeterlidir. İki veya daha fazla gösterge yanarken, uygun göstergeyi seçmek için Reset düğmesine dokununuz (seçtiğiniz gösterge yanıp sönecektir), sonra o göstergeyi sıfırlamak için 3 saniye boyunca düğmeyi basılı tutun.

(Değiştirme talimatları için sayfa 370-372'e bakın. Bir filtreyi değiştirdikten sonra yukarıdaki Gösterge Sıfırlama talimatları uygulayın).

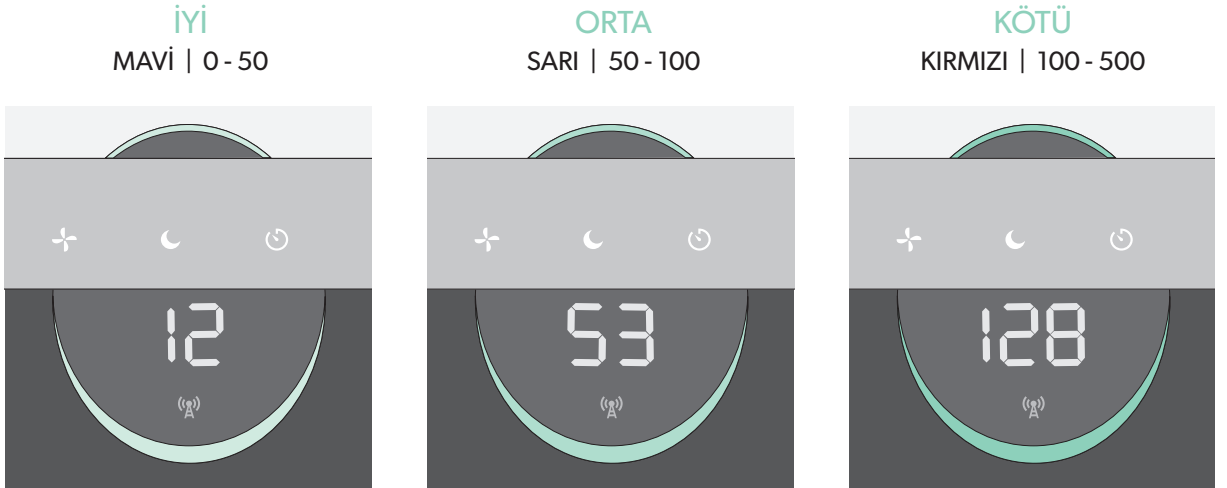
HAVA KALİTESİ KADRANI

Gerçek Zamanlı Geri Bildirim

Devrim yaratan SensorPod™, hem küçük (PM2,5) hem de büyük (PM10) partikül maddeleri ölçerek odanızdaki havanın durumunu değerlendirir. Odaya giren veya koltuğa oturan bir kişiye fazla tepki vermeden, gerçek kirletici artışlarına duyarlı eşsiz bir algoritma kullanarak genel hava kalitesini değerlendirir.

Işıklı, renk kodlu ekran, hava kalitesini iyi, orta veya kötü olarak bildirir, sayısal bir değer ile de daha detaylı bir bilgi sunar.

AUTO modunda, hava temizleyici bu hava kalitesi değerlerine yanıt olarak fan hızını otomatik olarak ayarlar.



TEKNİK ÖZELLİKLER

Hava Girişi	360°
Saatte 2 kez hava değişimi	70 m ²
Hava Çıkış Türü	PureDirect™
Sensör	SensorPod™, hava temizleyiciden 15 m uzaklıktaki noktalara kadar etki eder
Fan Hızı Ayarları	Whisper, 1, 2, Turbo
Temizleme Düzeyleri	Yıkanebilir Ön Filtre, Aktif Karbon Filtre, HEPA, UV-C Lambası
Zamanlayıcı Ayarları	2, 4, 8, 12 saat
Filtre Değişirme Göstergeleri	Carbon, HEPA, UV
Ses	32 - 66 dB
Boyutlar	263 x 263 x 726 mm
Ağırlık	5,7 kg
Motor Türü	DC motor
Güç Gereksinimleri	220-240v 50/60Hz 0,5A
Güç tüketimi	68 W
Garanti	2 yıl

Yedek Filtrelerin ve UV-C Lambasının Değişirilmesi

3'ü 1 arada silindir HEPA filtre	2415110
Aktif karbon filtre (3'lü paket)	2415109
UV-C Lambası	2415111

BAKIM VE ONARIM

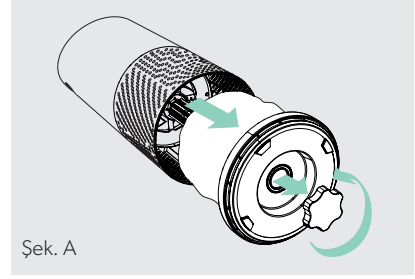
Filtre haznesine erişim

1. Her zaman Güç Düğmesine basarak ve güç kablosunu çıkararak hava temizleyici kapatın.
2. Üniteyi yavaşça ve filtre haznesi kapağı ile düğmesi görünecek şekilde yere yan olarak yatırın.
3. Düğmeyi saat yönünün tersine çevirin ve filtre haznesi kapağı ile 360° silindir HEPA filtreyi (Şek. A) çıkarın.

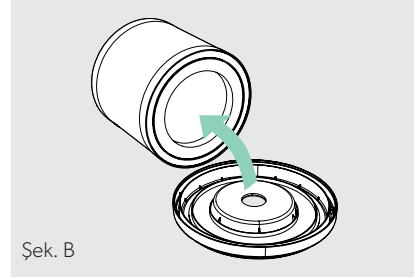
HEPA FİLTRENİN DEĞİŞTİRİLMESİ

1. HEPA göstergesi, silindir HEPA filtrenin tamamen değiştirilmesi gerektiğinde kırmızı renkte yanar.
2. Silindir HEPA filtreyi, oturduğu filtre kapağından yavaşça çekin (Şek. B).
3. Yeni HEPA filtreyi filtre kapağının üzerine sabitleyin (Şek. C).
4. Filtre kapağını ve silindir filtreyi yavaşça filtre haznesine ve vidanın üzerine yerleştirin, düğme ve filtre kapağı sağlamca sıkıştırılana kadar düğmeyi saat yönünde çevirin (Şekil D).
5. Hava temizleyicinizi takın ve çalıştırın, sonra kırmızı HEPA göstergesi sönene kadar Reset düğmesini basılı tutun.

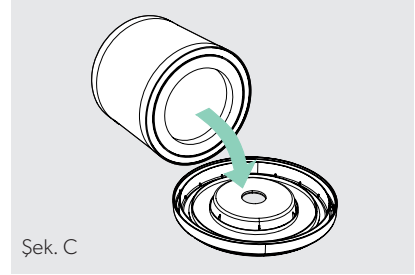
Not: Silindir HEPA filtre (sayfa 369'ye bakın), 3 katmandan oluşur: Yıkanabilir Ön Filtre, Aktif Karbon Filtre ve HEPA.



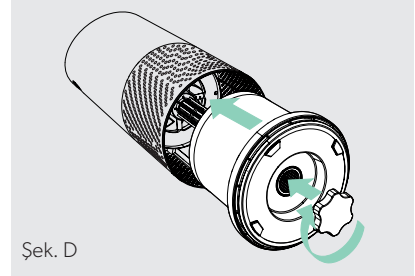
Şek. A



Şek. B



Şek. C



Şek. D

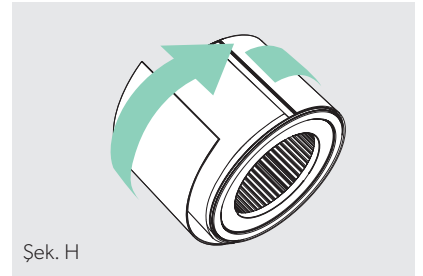
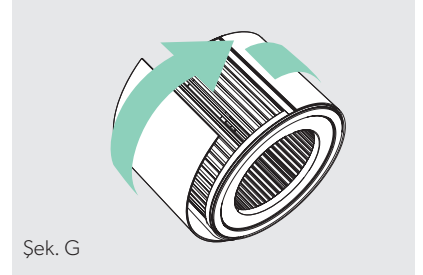
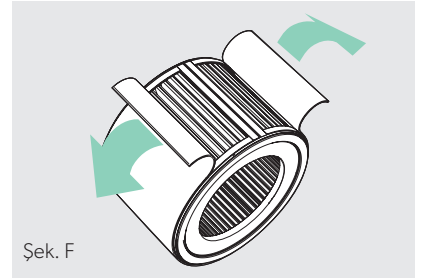
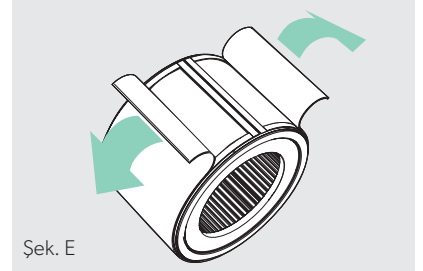
AKTİF KARBON FİLTRENİN DEĞİŞTİRİLMESİ

1. “Carbon” göstergesi, karbon katmanın değiştirilmesi gerektiğinde kırmızı renkte yanar.
2. Sabitleme bantlarını yavaşça ön filtreden ayırın (Şek. E).
3. Kullanılmış karbon katmanını yavaşça sabitleme bantlarından ayırın (Şek. F).
4. Filtre silindirin etrafına yeni bir karbon katmanı sararak silindiri yine aynı sabitleme bantlarına tutturun (Şek. G).
5. Ön filtreyi, karbon katmanın etrafına sarın ve sabitleme bantlarına tutturun (Şek. H).
6. Hava temizleyici çalıştığı anda, “Carbon” filtre göstergesi sönene kadar Reset düğmesini basılı tutun.



Not: 3'lü aktif karbon filtre paketi (sayfa 369'ye bakın), her silindir HEPA filtrenin değişiminden önce gereken 3 karbon filtre değişimini gerçekleştirmek için yeterli olacaktır (sayfa 370'e bakın).

ÖN FİLTRENİN YIKANMASI

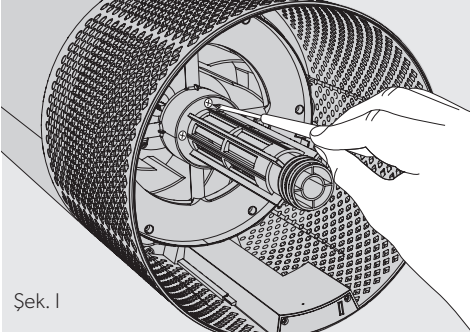
1. Ön filtreyi her ay gözle kontrol etmenizi ve filtreyi gerektiğinde yıkamanızı öneririz. Ön filtreyi, en azından aktif karbon filtreyi her değiştirdiğinizde elle yıkamalısınız.
2. Yıkabilir ön filtreyi, sabitleme bantlarından yavaşça ayırın (Şek. E).
3. Ön filtreyi akan suyun altında nazikçe durulayın ve yerine yerleştirmeden önce açık havada kurumaya bırakın.
4. Ön filtreyi filtre silindirinin etrafına sarın ve sabitleme bantlarına tutturun (Şek. H).



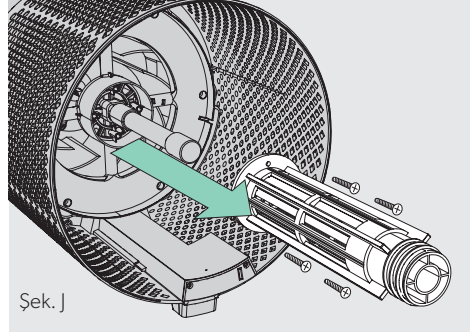
UV-C LAMBASININ DEĞİŞTİRİLMESİ

1.  göstergesi, UV-C lambasının değiştirilme zamanı geldiğinde kırmızı renkte yanar.
2. HEPA filtre silindirini çıkarın (Şek. A) ve UV yuvasını sabitleyen 4 vidayı çıkarmak için bir tornavida kullanın (Şek. I).
3. UV yuvasını yavaşça çıkarın (Şek. J).
4. UV-C lambasını, hava temizleyicinin içindeki duydan çıkarın (Şek. K)
5. Yeni UV-C lambanızı (sayfa 369'ye bakın) doğrudan aynı duya takın (Şek. L).
6. UV yuvasını tekrar yerine takın ve sabitleme vidalarını sıkıştırmak için bir tornavida kullanın.
7. Hava temizleyici çalıştığında, gösterge beyaz olana kadar Reset düğmesini basılı tutun.
7. Hava temizleyici çalıştığında,  göstergesi beyaz olana kadar Reset düğmesini basılı tutun.

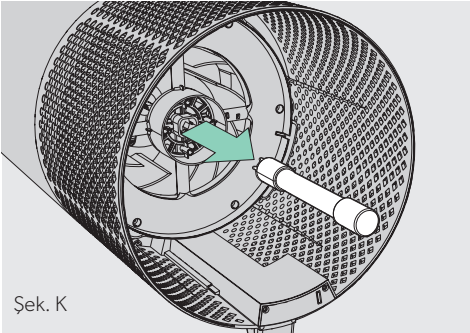
Not: UV-C vericisini değiştirdikten sonra, lütfen yerel Atık Elektrikli ve Elektronik Ekipmanları toplama tesisinize atın.



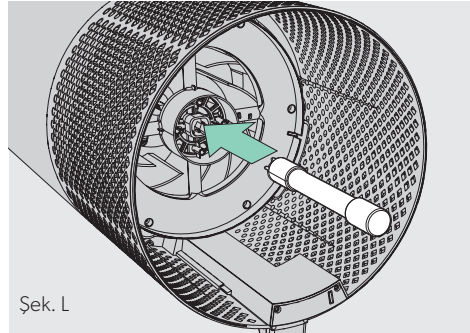
Şek. I



Şek. J



Şek. K



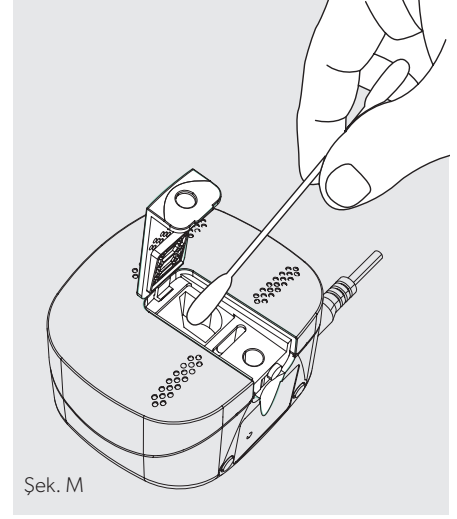
Şek. L

SENSORPOD™'UN TEMİZLENMESİ

Hava kalitesi sensörünün temizlenmesi

SensorPod™, partikül maddeleri tespit etmek için kızılötesi bir ışık kullanır. Bu nedenle toz sensörü haznesini, sensörün ölçtüğü değerlerin doğruluğunu etkileyebilecek toz veya partiküllerden arındırmak için 1-2 ayda bir temizlemeniz önemlidir.

1. Güç kablosunu çekerek SensorPod'u kapatın.
2. Ön taraftaki kolay erişim kapağını 90° derecelik bir açıyla kaldırarak açın.
3. Lensi ve toz sensörünün giriş alanını temizlemek için nemli bir pamuklu çubuk kullanın (Şek. M).
4. Kalan nemi silmek için kuru bir pamuklu çubuk kullanın.
5. Kapağı indirerek kapatın ve bir tık sesi duyana kadar geriye doğru iterek yerine yerleştirin.



Şek. M

SSS VE SORUN GİDERME

<p>SensorPod™'u nereye yerleştirmeliyim?</p>	<p>Odanın içinde hava kalitesini ölçmek istediğiniz herhangi bir yere!</p> <p>En iyi sonuçları almak için, SensorPod™'u hava temizleyiciden en fazla 15 metre uzağa, hava temizleyicinin görüş hattında kalan bir çalışma yüzeyi veya masa üzerine yerleştirin. Auto Modunda, SensorPod™ kabul edilebilir bir düzeyde hava kalitesi tespit edene kadar temiz hava dağıtmayı sürdürür.</p>
<p>Filtreleri hangi sıklıkta değiştirmeliyim?</p>	<p>Cevap basit! Hava temizleyicinin değişim göstergeleri, karbon veya HEPA filtrenin ya da UV-C lambasının değiştirilme zamanı geldiğinde sizi haberdar edecektir.</p> <p>Aktif karbon filtreyi 3-4 ayda bir, HEPA filtreyi 12-15 ayda bir ve UV-C lambasını 1-3 yılda bir değiştirebilirsiniz.</p>
<p>Ön filtreyi hangi sıklıkta yıkamalıyım?</p>	<p>Ön filtre, daha büyük partikülleri yakalar ve diğer filtrelerin verimli çalışmasını sağlar, bu yüzden ön filtreyi her ay gözle kontrol etmenizi ve gerektiğinde filtreyi yıkamanızı öneririz. Karbon filtreyi her değiştirdiğinizde ön filtreyi yıkamak da iyi bir fikirdir.</p>
<p>SensorPod'daki toz sensörünü hangi sıklıkta yıkamalıyım?</p>	<p>Hava kalitenizin en doğru biçimde ölçülebilmesi için, toz sensörünün yüzeyini her 1-2 ayda bir temizlemenizi öneririz.</p>
<p>Temizleyici çalışmıyor.</p>	<p>Güç kablosunun hem duvardaki prize hem de hava temizleyiciye sıkıca takılı olup olmadığını kontrol edin. Yakındaki bir lambayı yakmayı veya aynı prizde çalışan başka bir cihazı çalıştırmayı deneyerek prizde bir güç kesintisi olup olmadığını kontrol edin.</p> <p>HEPA filtrenin filtre haznesine doğru bir biçimde yerleştirilip yerleştirilmediğini kontrol edin.</p> <p>Sorun çözülmediyse lütfen bizimle iletişime geçin. (sayfa 376).</p>

SSS VE SORUN GİDERME

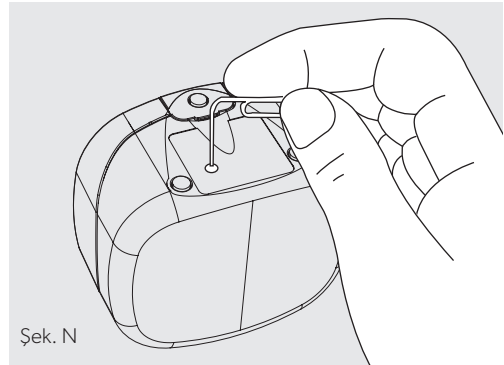
<p>Purifier Auto Moduna geçmiyor. veya Hava kalitesi göstergeleri yanmıyor. veya Hava temizleyicinin sensör sinyali göstergesi yanıp sönüyor.</p>	<p>Önce, SensorPod'un fişe takılı olduğundan ve ışığının sürekli yandığından emin olun.</p> <p>Sonra, SensorPod'un hava temizleyicinin etki alanında (15 m'ye kadar) olup olmadığını kontrol edin.</p> <p>Bu iki kontrolü yaptıktan sonra bağlantı hâlâ sorunlu ise, SensorPod'un bağlantısını onarmak için aşağıdaki talimatları uygulayın.</p>
<p>SensorPod'umu kaybettim!</p>	<p>Endişe etmeyin! Lütfen müşteri destek ekibimizle iletişim kurarak yeni bir SensorPod siparişi verin. Yeni SensorPod'unuzu mevcut hava temizleyiciniz ile eşleştirmek için aşağıdaki kolay eşleştirme talimatlarına uyun.</p>

SensorPod™'un ve Hava Temizleyicinin Eşleştirilmesi

SensorPod, radyo frekansı sinyalleri kullanarak hava temizleyici ile iletişim kurar ve üretim hattında eşleştirildiğinden kutuyu açtığınızda kullanıma hazır olacaktır. Sinyalin kesildiği nadir durumlarda, hava temizleyicinin sensör sinyal göstergesi yanıp söner. Bağlantıyı birkaç basit adımda onarabilirsiniz.

1. SensorPod'un fişini çekin.
2. İki zil sesi duyana kadar hava temizleyicinin Güç düğmesini 3 saniye boyunca BASILI TUTUN.
3. SensorPod'un fişini takın ve altındaki eşleştirme düğmesini 5-7 saniye boyunca basılı tutmak için ince uçlu bir cisim (ataş) kullanın (Şek. N).

4. Hava temizleyicinin sensör sinyal göstergesi sürekli yandığında bağlantı kurulmuş demektir ve bu durumda hava kalitesi göstergeleri yanar.



Şek. N

GARANTİ

Bu makinenin işleyişi, normal şekilde kullanılması kaydıyla, satın alındığı tarihten itibaren iki yıl süreyle garantilidir. Garanti süresi içinde ACCO, kendi takdirine göre arızalı makineyi ücretsiz olarak ya tamir edecek ya da değiştirecektir. Kullanma hatalarından veya makinenin amacı dışında kullanılmasından kaynaklanan arızalar garanti kapsamında değildir. Garantiden yararlanabilmek için satın alma tarihinin kanıtlanması gerekmektedir. ACCO tarafından yetki verilmemiş kişilerce yapılacak onarımlar ya da değişiklikler garantiyi geçersiz kılacaktır. Amacımız ürünlerimizin belirtilen teknik özelliklere göre performans göstermesini sağlamaktır. Bu garanti, tüketicinin satılan mallara ilişkin ulusal mevzuat uyarınca sahip olduğu yasal hakları etkilemez.

DESTEK

TruSens™'e evinizin kapısını açtığınız için teşekkür ederiz. Müşterilerimizi, yaptığımız her şeyin merkezine koyuyoruz ve yaşam tarzınıza uyacak ürünler tasarlamak için çalışıyoruz. Herhangi bir soru sormak veya geri bildirimde bulunmak istediğinizde lütfen bizimle iletişime geçin.

Web sitemizi ziyaret edin: www.leitz.com/trusens

Bize e-posta gönderin: www.destekbilisim.com

Bizi arayın: 4440490

Garantinizi kaydetmek ve etkinleştirmek için şu adrese gidin: www.leitz.com/register

TruSens™

www.leitz.com/trusens



Leitz ACCO Brands GmbH & Co KG
Siemensstraße 64
70469 Stuttgart
Germany
www.leitz.com

©2021 ACCO Brands. All rights reserved.
TruSens™, U™ & Design, SensorPod™ and PureDirect™ are trademarks of ACCO Brands.

21973P002